

LIVING & CO[®]

4 SLICE TOASTER LONG



INSTRUCTION MANUAL

MODEL: LT4S/LT4LB

AFTER SALES SUPPORT

☎ NZ 0800 422 274

IMPORTANT SAFETY INSTRUCTIONS

For safety reasons and to avoid damage to the appliance or injuries to people, please abide by all the safety instructions below. Ignoring safety warnings may result in injuries.

This appliance does not take into consideration the following situations:

- Use by children or disabled people without supervision;
- children treating it as a toy.

1. Read all instruction before using.
2. Make sure that your outlet voltage corresponds to the voltage stated on the rating label of the toaster.
3. Do not touch hot surface. Use handles or knobs only.
4. To protect against electrical shock, do not immerse cord, plug, or any part of the toaster in water or other liquid.
5. Close supervision is necessary when it is used by or near children.
6. Unplug unit from outlet when not in use and before cleaning.
7. Do not operate any appliance with a damaged cord or plug, or in abnormal state. If its main cord is damaged, it must be replaced by the manufacturer, the nearest service agent or a qualified person.
8. Do not let the cord hang over edge of table or counter, or touch hot surface.
9. Do not place on or near a hot gas or electric burner, or in a heated oven.
10. Do not use the appliance for other than its intended use.
11. Oversize food, metal foil packages or utensils must not be inserted in the toaster as they may cause fire or electric shock.
12. Bread may burn, therefore toasters must not be used near or below curtains and other combustible materials, they must be watched.
13. The use of accessory attachments not recommended by the appliance manufacturer may cause injuries.
14. Don't attempt to dislodge food when toaster is in operation
15. Be sure to take the bread out carefully after toasting so as to avoid injuries
16. Don't use the appliance outdoors.
17. The appliance is not intended to be operated by means of an external timer or separate remote-control system.
18. This appliance is not intended for use by persons (including children) with reduced physical, sensory or mental capabilities, or lack of experience and knowledge, unless they have been given supervision or instruction concerning use of the appliance by a person responsible for their safety.
19. Children should be supervised to ensure that they do not play with the appliance.

IMPORTANT SAFETY INSTRUCTIONS

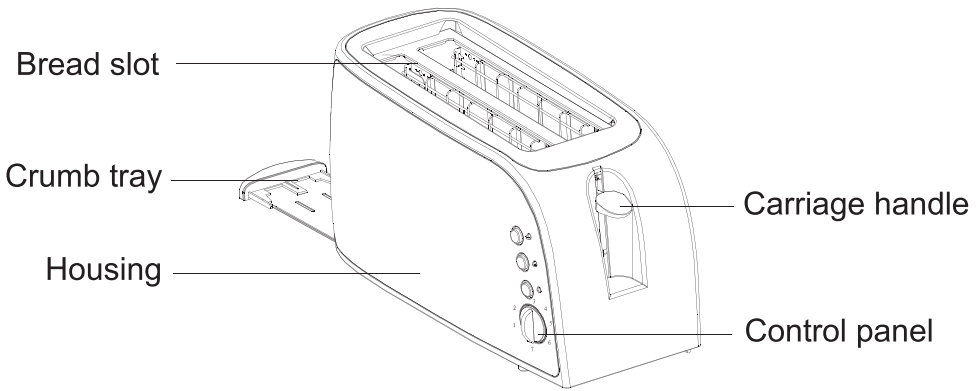
16. This appliance is intended to be used in household and similar applications such as:
 - staff kitchen areas in shops, offices and other working environments;
 - farm houses;
 - by clients in hotels, motels and other residential type environments;
 - bed and breakfast type environments.
17. The Hot surface warning symbol is marked on the appliance means that the appliance may be hot during use.
18. Save these instructions.
19. Never operate the appliance with wet hands.
20. It is recommended to have a residual current device (safety switch) installed by qualified electrician to provide additional safety protection when using all electrical appliances.

CAUTION: This appliance generates heat during use. Proper precautions must be taken to prevent the risk of burns, scalds, fires or other damage to persons caused by touching the exterior whilst in use

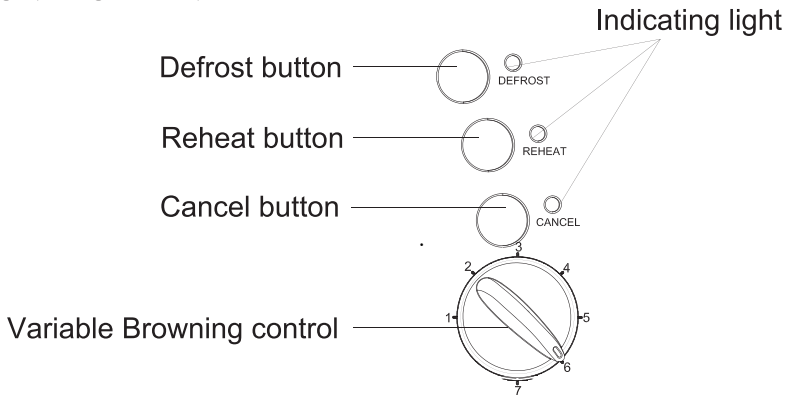
WARNING: Never attempt to extract jammed toast, or any other item with a knife or any other object, as contact with live elements could result in an electric shock. Allow the appliance to cool, unplug and carefully turn the toaster upside down and shake gently to remove the bread.

WARNING: The bread may burn, therefore do not use the toaster near or below combustible material, such as curtains.

Part Name



CONTROL PANEL



Operating

FIRST USE

From manufacturing there may remain small residue or oil in the toaster or heating element. Upon 1st use the toaster may emit an odor. This is normal and will no longer occur after being used for several times.

Before toasting the first slice of bread it is suggested to operate the appliance following below instructions, except without bread.

Note: Make sure the crumb tray is positioned in place before using.

1. Position the toaster on a dry, stable level work surface, away from the edge. Ensure that the cord does not over-hang the work surface as this is a hazard.
2. Insert the plug into a suitable power outlet, 230-240V.
3. Insert the bread, muffin or bagel into the bread slots.
4. Using the variable browning control, select the desired browning setting; toasting settings range from 1 (lightest) to 7 (darkest). When using the toaster for the first time, select setting 3. Varying types of bread and personal preference may require a different setting.
5. Press and hold the carriage control lever down until it locks into place. The toasting cycle can be stopped at any time by pressing the cancel button.
6. Remove the toast taking care not to touch any hot surfaces. In the unlikely event that the bread or crumpet becomes jammed, switch the toaster off at the power outlet and disconnect the plug. Allow the toaster to cool fully before carefully turning the toaster upside down and shaking gently to remove the jammed items ensuring that you do not damage the element. Never insert your hands or any hard or sharp instrument into the slots.
7. If the toast starts to smoke before it has popped up, stop the toasting process by pressing the cancel button.

VARIABLE BROWING CONTROL

- The browning control varies the time the bread is toasted.
- The control can be set from 1 to 6, where 1 is the shortest time (lightest toast) and 7 is the longest time (darkest toast).
- Having used the toaster at level 3 for the first use, as described above, remember to increase the browning control setting for subsequent operations.
- If the toast is too dark, reduce the browning control before toasting the next slice.
- Dry or thin slices will toast quicker than moist or thick slices, so use a lower browning control setting.
- When toasting two slices at the same time, try to use the same size and consistency of bread to achieve equal browning.

REHEAT BUTTON

The Reheat button can be selected after the toasting cycle has finished. Press the toasting lever down and select the reheat button to start the reheat cycle.

DEFROST BUTTON

The defrost feature can be used to toast your frozen bread. The colour of your toast will brown according to the browning control setting you have chosen. This feature is activated by pressing the defrost button on at any time during the toasting cycle.

Toasting tips

Toasting is a combination of cooking and drying the bread. Moisture levels differ from one bread to another, which can result in varying toasting times.

For slightly dry bread, use a lower setting than normal. For fresh bread or whole wheat, use a higher setting than normal.

Breads with very uneven surfaces (such as English muffins) will require a higher setting. Thickly cut pieces of bread (including bagels) will take longer to toast.

Very thick pieces may require two cycles.

When toasting raisin or other fruit breads, remove any loose raisins from the surface of the bread before placing into the toaster to prevent pieces falling into the toaster or sticking on the guard wire in the slot.

Before toasting bagels, slice each bagel into two equal halves.

If you are toasting a single slice of bread, select a lighter setting than normal to avoid over toasting. The toaster is designed to heat the whole toasting chamber for two slices.

Exercise caution when toasting pastries. The filling can become quite hot, long before the surface of the pastry becomes brown.

Cleaning & Maintenance

Unplug the toaster from the power outlet and allow to cool before cleaning. Do not use abrasive cleansers. Simply wipe the exterior with a clean damp cloth and dry thoroughly. Apply any cleaning agent to a cloth, not directly onto the toaster.

To remove crumbs slide out the crumb tray and discard crumbs. Wipe clean and replace. Never operate the toaster without the crumb tray in place.

To remove any pieces of bread remaining in the toaster, turn the toaster upside down and shake gently. Never insert any hard or sharp instrument into the slots as this could damage the toaster and cause a safety hazard.

Never wrap the cord around the outside of the toaster, use the cord storage cleats on the underside of the toaster.

Technical Data

Product name	Model No.	Rated voltage	Rated frequency	Rated power
Toaster	LT4S/LT4LB	220-240V~	50Hz	1200-1500W

Environmental protection

Responsible Disposal

At the end of its working life, do not throw this product out with your household rubbish. Electrical and electronic products contain substances that can have a detrimental effect on the environment and human health if disposed of inappropriately. Observe any local regulations regarding the disposal of electrical consumer goods and dispose of it appropriately for recycling. Contact your local authorities for advice on recycling facilities in your area.

Please keep the original packaging carton and materials in a safe place. It will help to prevent any damage if the product needs to be transported in the future. In the event it is to be disposed of, please recycle all packaging material where possible.



LIVING & CO[®]

Warranty

We pride ourselves on producing a range of quality home appliances that are both packed with features and completely reliable. We are so confident in our products, we back them up with a 3 year warranty.

Now you too can relax knowing that you are covered.

Customer Helpline NZ: 0800 422 274

This Product is covered by 3 year warranty when accompanied by proof of purchase.