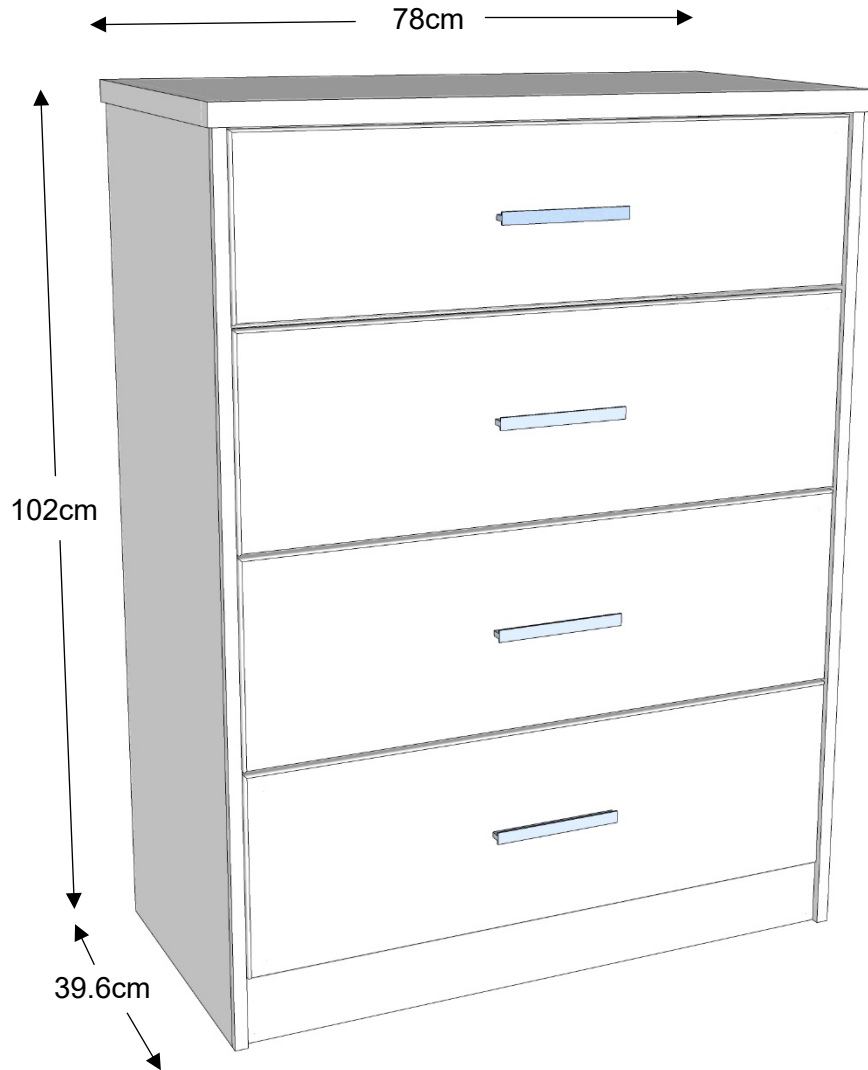


LIVING & CO[®]

Tākiwira 4 Drawer Tallboy





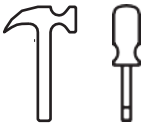
INSTRUCTION MANUAL

Maximum recommended weight is 15kgs per drawer



5 YEAR WARRANTY

Assembly Details

<p>120Min</p> <p>Approximate Assembly Time</p>	<p></p> <p>1 Person Assembly</p>	<p>Floor Area 3m x 4m</p> <p></p> <p>Required Assembly Space</p>
<p></p> <p>Tools Required</p>		

Tips before you start

1. For the protection of your furniture, we recommend that the product is placed on a protected surface during assembly to prevent damage
2. Please check that all parts are present before you start the assembly of your furniture
3. For ease and speed of assembly, we recommend that you identify all the parts required for each step before commencing with assembly
4. For larger items, please ensure that you have sufficient space (as indicated on page 1)
5. We recommend that, where possible, all items are assembled near to the area in which they will be placed in use, to avoid moving the product unnecessarily
6. During Assembly please take care not to over-tighten hardware as this may damage the product
7. Always place the product on a steady and stable surface
8. Do not use the product as a stepladder
9. This product is intended for indoor, household use only as it is a non-industrial product






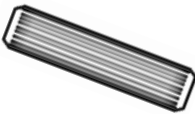

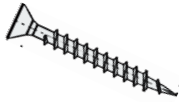





Care and Maintenance

- ✓ Please periodically check all things and re-tighten as necessary
- ✓ To clean your item, please use a damp cloth and wipe clean
- ✓ Never allow any kind of liquid on your furniture
- ✓ Please do not place hot items (e.g. Hot drinks) directly on to the surface

Parts List

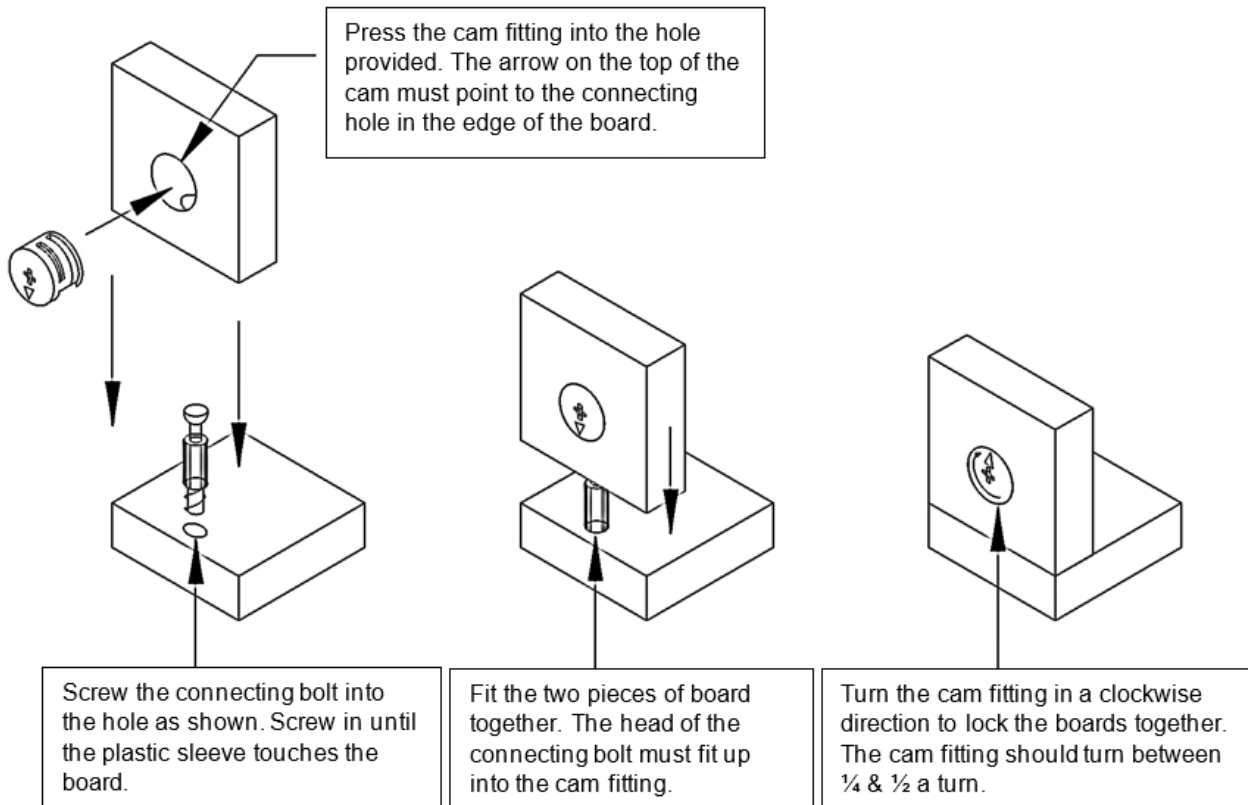
QTY	PART	MEASUREMENTS	NOTES
1	Top	780 x 396 x 25mm	Laminate on one side.
1	LH End	994 x 390 x 15mm	Laminate on both sides.
1	RH End	994 x 390 x 15mm	Laminate on both sides.
1	Toeboard	723 x 80 x 15mm	Laminate on one side.
3	Rail	412 x 235 x 15mm	Laminate on one side
1	Top Drawer Front	732 x 195 x 15mm	Laminate on one side
3	Drawer Front	732 x 235 x 15mm	Laminate on one side
4	LH Drawer Side	340 x 160 x 12mm	Laminate on both sides
4	RH Drawer Side	340 x 160 x 12mm	Laminate on both sides
4	Drawer Back	688 x 155 x 12mm	Laminate on one side
4	Drawer Bottom	698 x 339 x 4mm	Laminate on one side
1	Back Panel	939 x 758 x 4mm	Plain (both sides are unfinished), folded

Hardware List

				
24 x Connecting Bolts	12 x Large Cams (15mm)	12 x Large Cams (15mm)	16 x Drawer Slide Screws	16 x Small Woodscrews
				
20 x Dowels	9 x Panhead Screws	21 x 31mm Woodscrews	4 x Nail on Glides	4 x Metal Drawer Slide Set
				
4 x Handles	1 x Washer	1 x Safety Strap		

Cam Installation & Operation Guide

The Cam and Connecting Bolt system is used to put your unit together. Below is an explanation of how this system works.



Drawer Slides Guide

Your pack will contain two sets of Metal Drawer Slides. These are bundled together with adhesive tape. The set comprises of 4 components. Undo the tape on one set at a time and separate the parts.

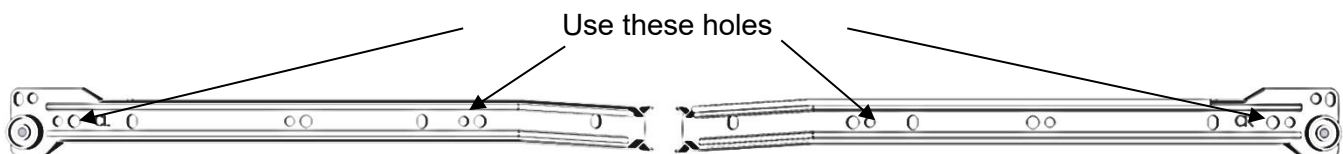


LEFT HAND PART (DL)



RIGHT HAND PART (DR)

The Drawer Slide components shown *above* are attached to the **drawer**. They have the letters **DL** or **DR** stamped on them to indicate left hand or right-hand components. Put these parts aside for attaching to the drawer later.

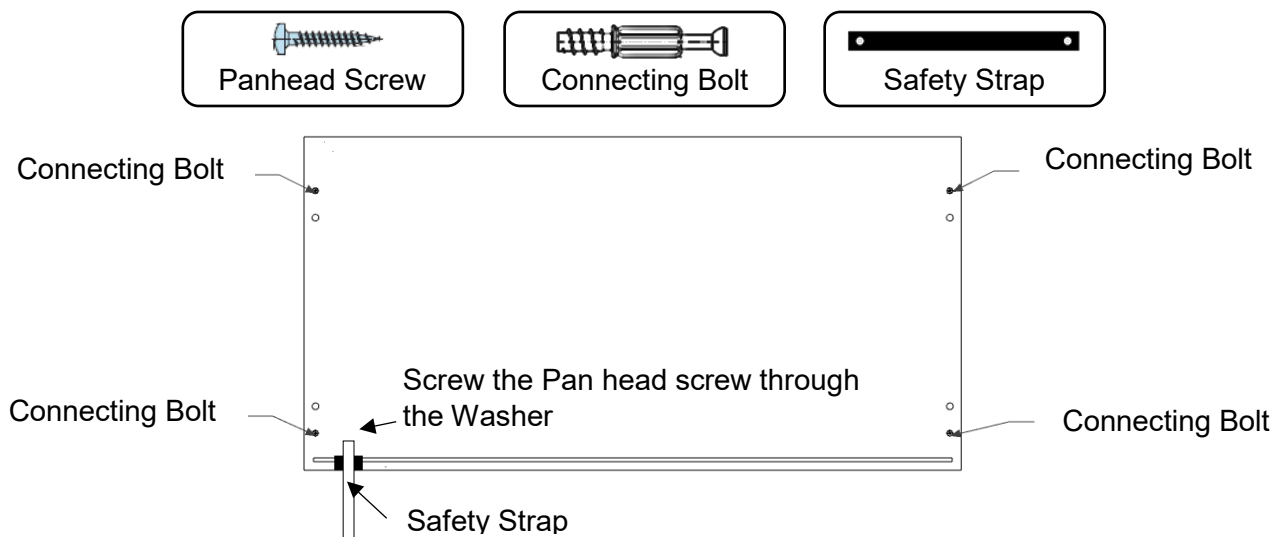


The Drawer Slide components shown *above* are to be attached to the **cabinet**. They have letters **CL** or **CR** stamped on them to indicate left hand or right-hand components. You will need these for steps 1 and 2.

Assembly

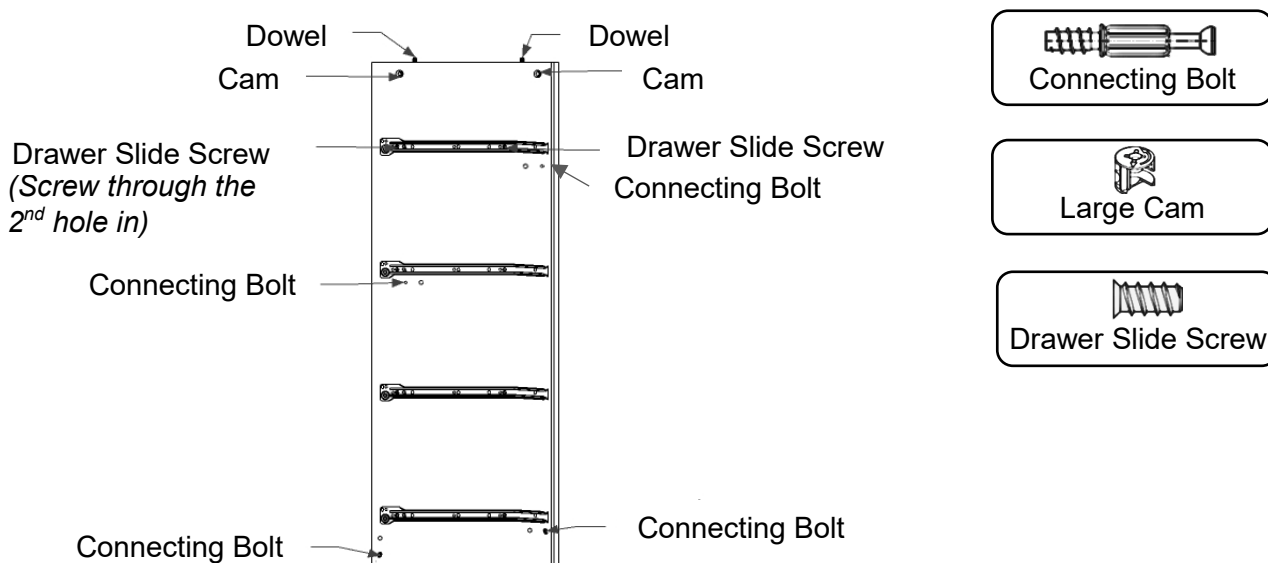
STEP 1: Top

- To begin assembly, lay the top finished side down on a clean and clear surface
- Screw four **Connecting Bolts** into the holes as shown
- Using the **Pan head screw**, attach the **Safety Strap** as shown by screwing it first through the **Washer** and then through the eyelet in the Strap, into the hole in the left-hand side of the Top. Make sure that the Strap is positioned so that the tail end falls through the hole in the edge of the Top as shown below.



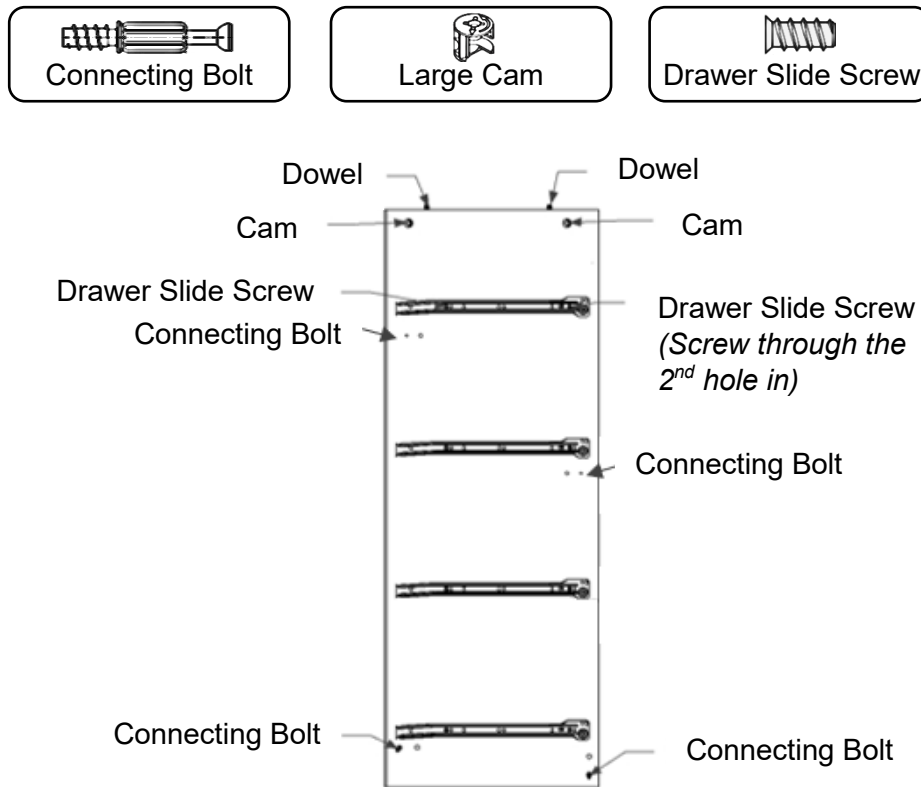
STEP 2: LH End

- Screw the **LH Cabinet Drawer Slides** into the LH End using two Drawer Slide Screws for each slide (*ensure that the end of the slide with the wheel is on the side with the finished edge*).
- Insert **two Large Cams** as shown (make sure the arrow on the top of the Cam points towards the top edge of the End).
- Push **two Dowels** into the top edge of the End
- Screw **two Connecting Bolts** into the holes as shown



STEP 3: RH End

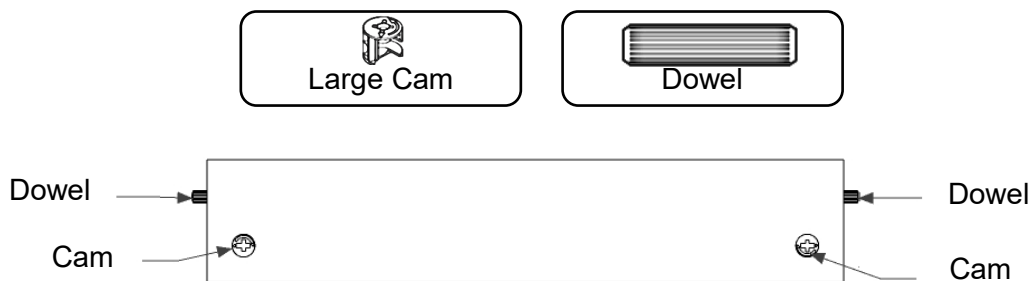
- Repeat the previous step with the RH End.



STEP 4: Rails

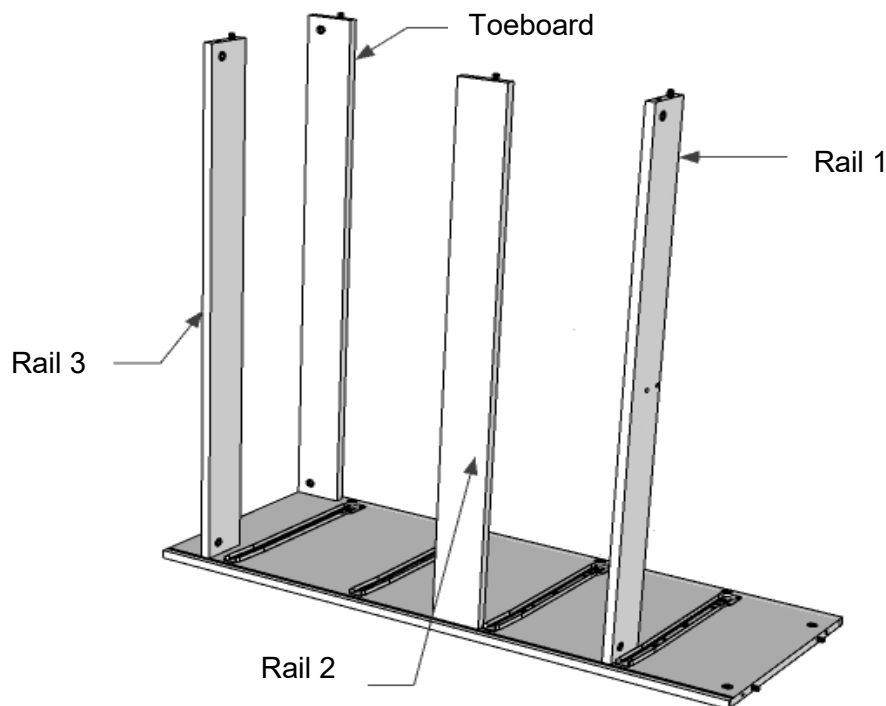
Your pack will contain 4 boards the same size.

- 1 x Toeboard
- 3 x Rails
- Install two **Large Cams** into each piece as indicated
- Push the **Dowels** into each of the boards as indicated



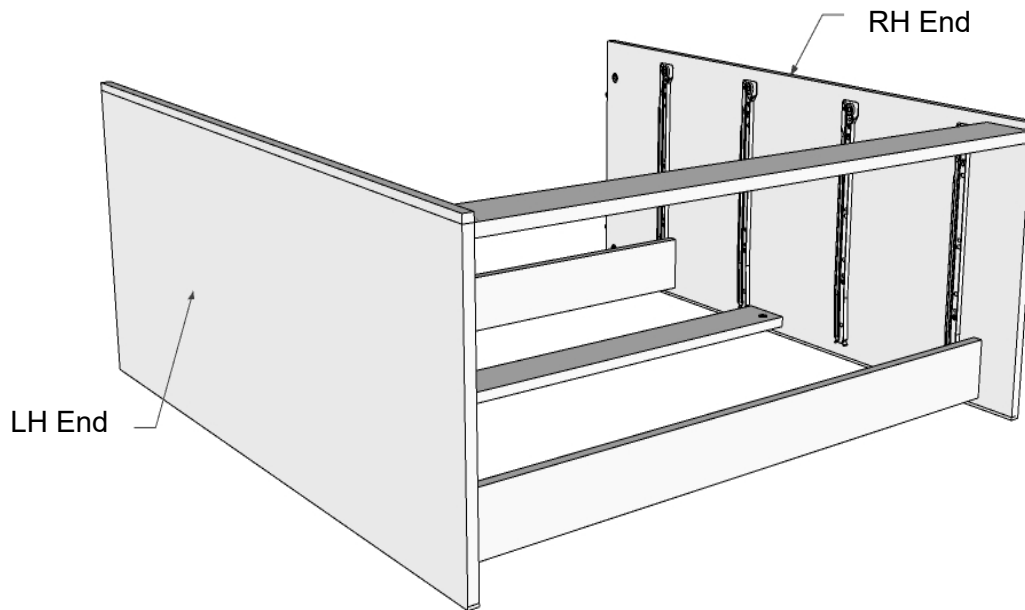
STEP 5: Attach Rails to LH End

- Lay the LH End finished side down on a clean surface that is free of anything that may damage the woodgrain finish. A clean carpeted floor is the most ideal for this.
- Position the Rails and Toeboards over the Connecting Bolts installed in the End – take note of the drawing below to get them in the correct place. **The Rails are interchangeable. Ensure the finished surface of the Toeboard faces towards the Front Edge of the unit so the cams cannot be seen when the unit is completed. Make sure the Large Cams face towards the top of the End.**
- Tighten all four Cams in a clockwise direction to lock Rails and Toeboard to the LH End. The Large Cams should turn at least a $\frac{1}{4}$ of a turn.



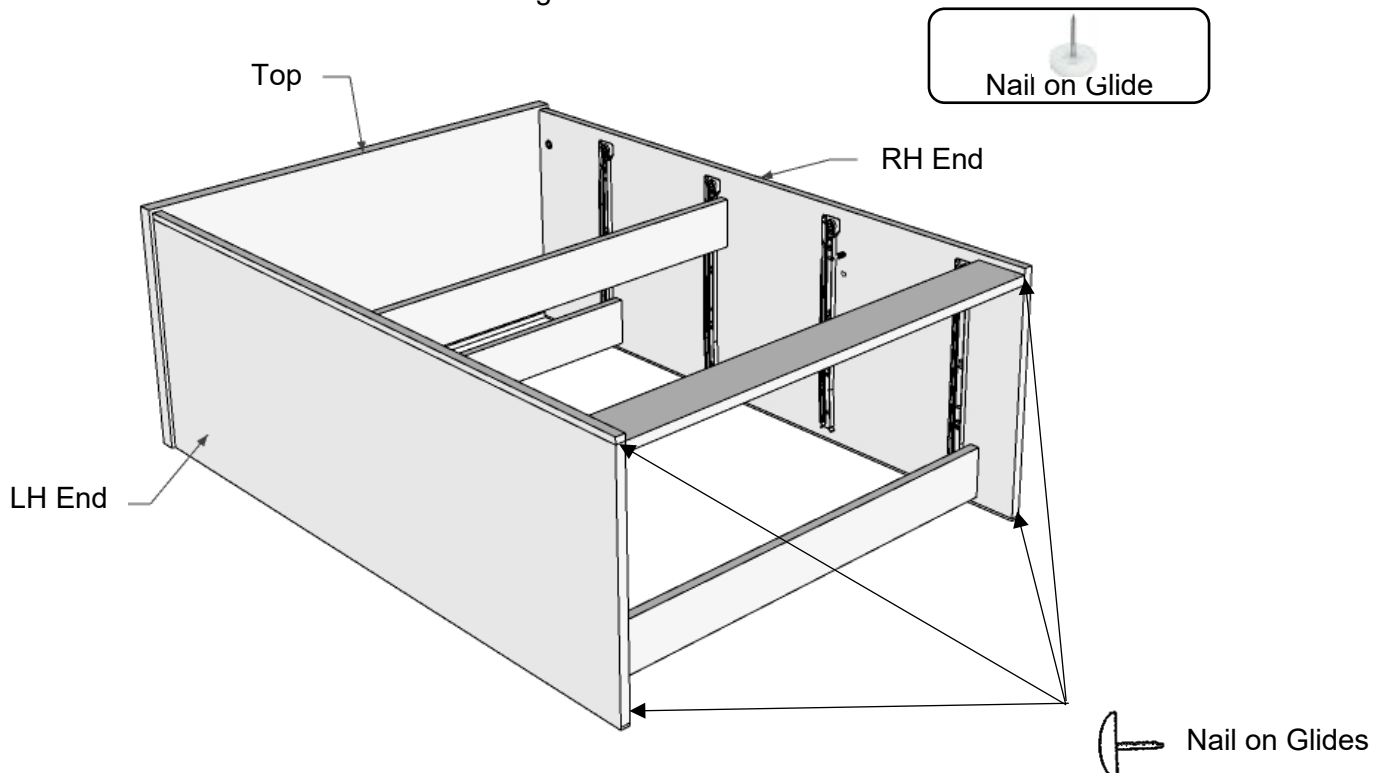
STEP 6: Attach RH End

- Turn the LH End with the Rails and Toeboard attached onto its back edge.
- Fit the RH End to the Rails and Toeboard as shown in the drawing below.
- Lock the RH End to the Rails and Toeboard by tightening **all** the Cams in the Rails and Toeboards in a clockwise direction.



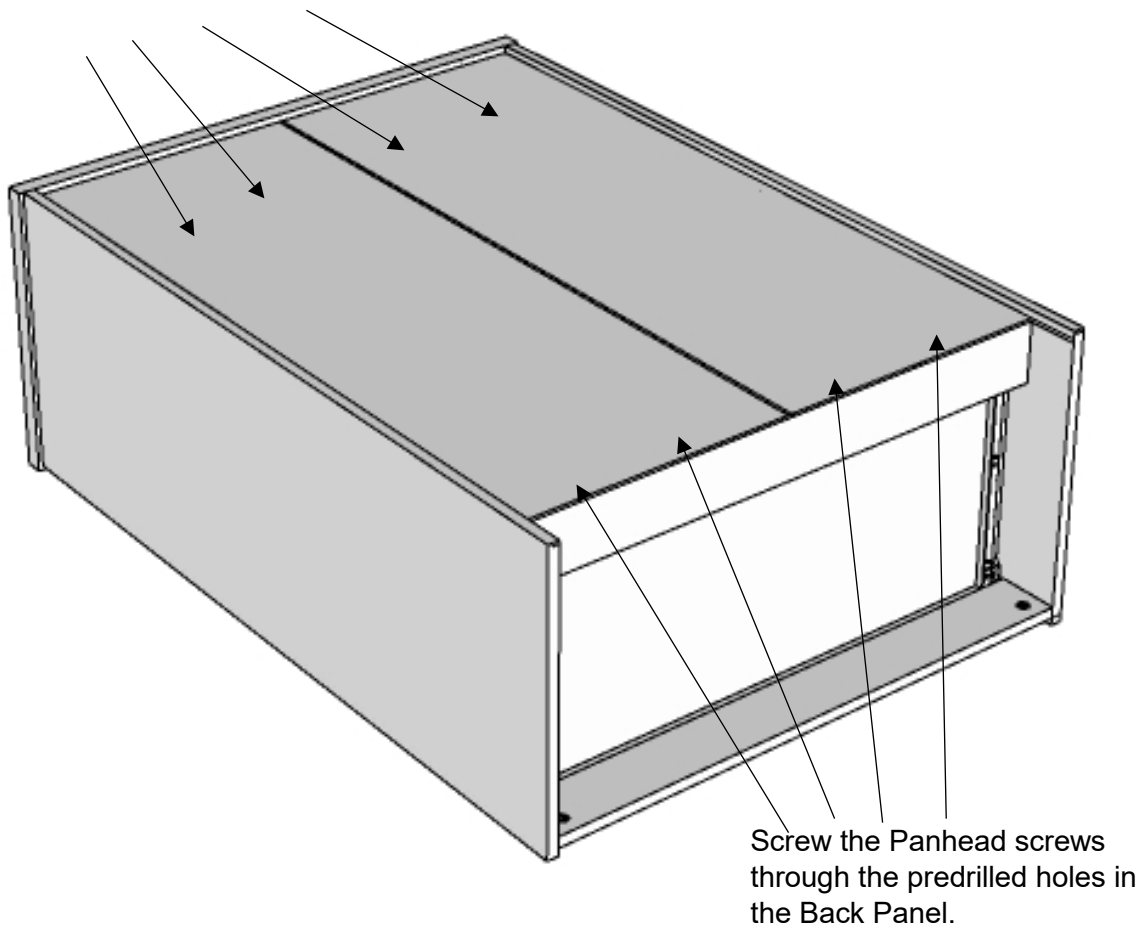
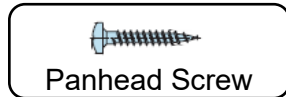
STEP 7: Attach Top and Glide Feet

- Fit the **Top** to the **Ends** by fitting the four Connecting Bolts installed in the Top into the Cams in the Ends. Tighten all four Cams to lock the **Top** to the **Ends**.
- Tap the four Nail on Glides into the bottom of the **Ends** as indicated below. Space them about 50mm in from the front and back edges.



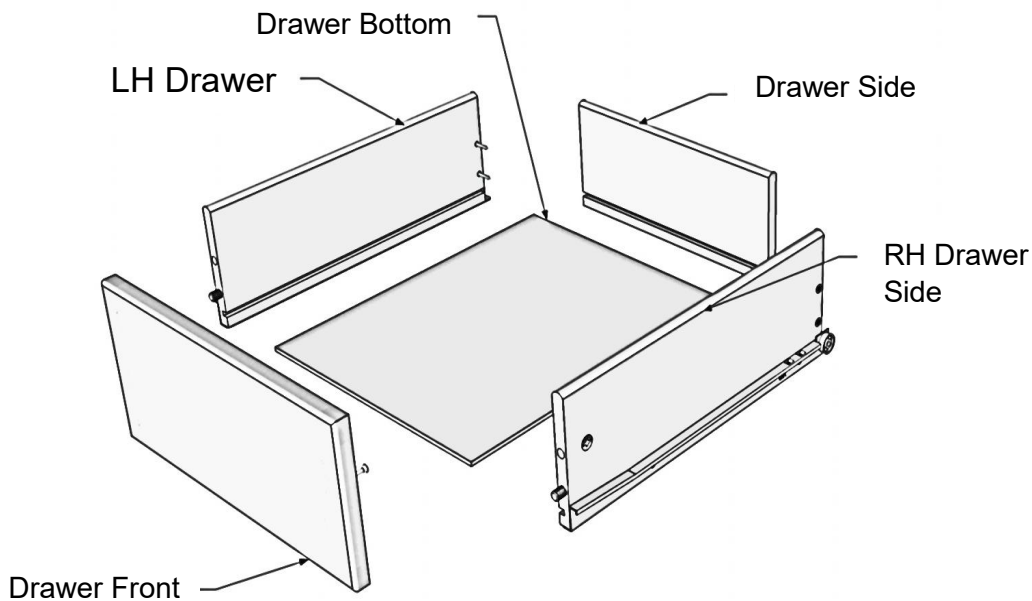
STEP 8: Back Panel

- Turn the Tallboy onto its front edge. Make sure the surface is clear and free of anything that may damage the laminate finish.
- Slide the Back Panel in place (**please ensure that the end with the predrilled holes part way down the panel is at the top**)
- Secure the Back Panel in place as shown with the 8 Panhead Screws as indicated.



Assemble the Drawers

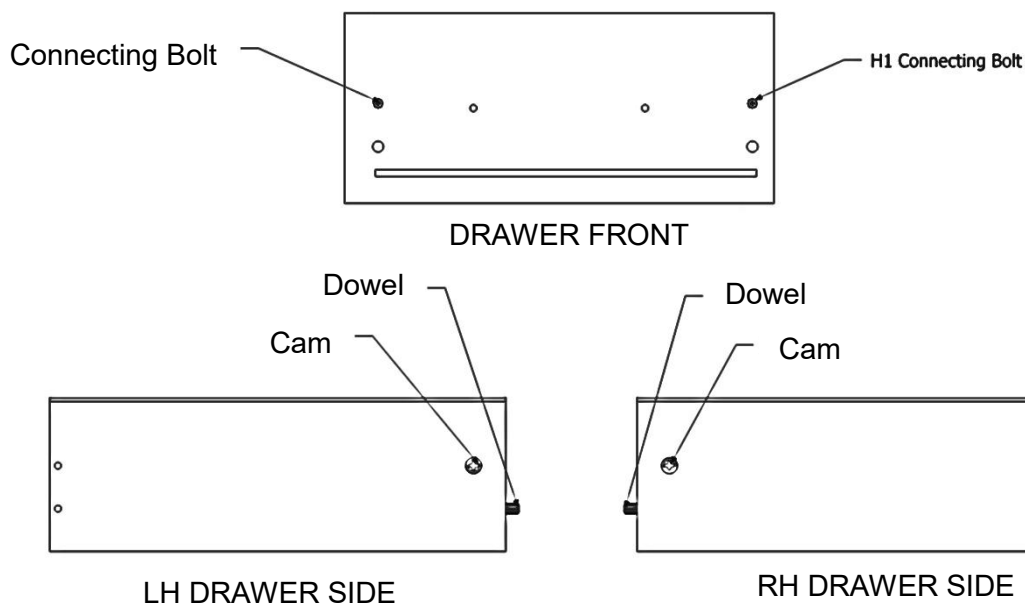
Your **Tākiwira Tallboy** will have one shallow top drawer and four deeper bottom drawers. All Drawers are constructed in the same manner and consist of the same parts. Please follow steps 9 – 11 four times to assemble the four drawers.



STEP 9: Install Hardware



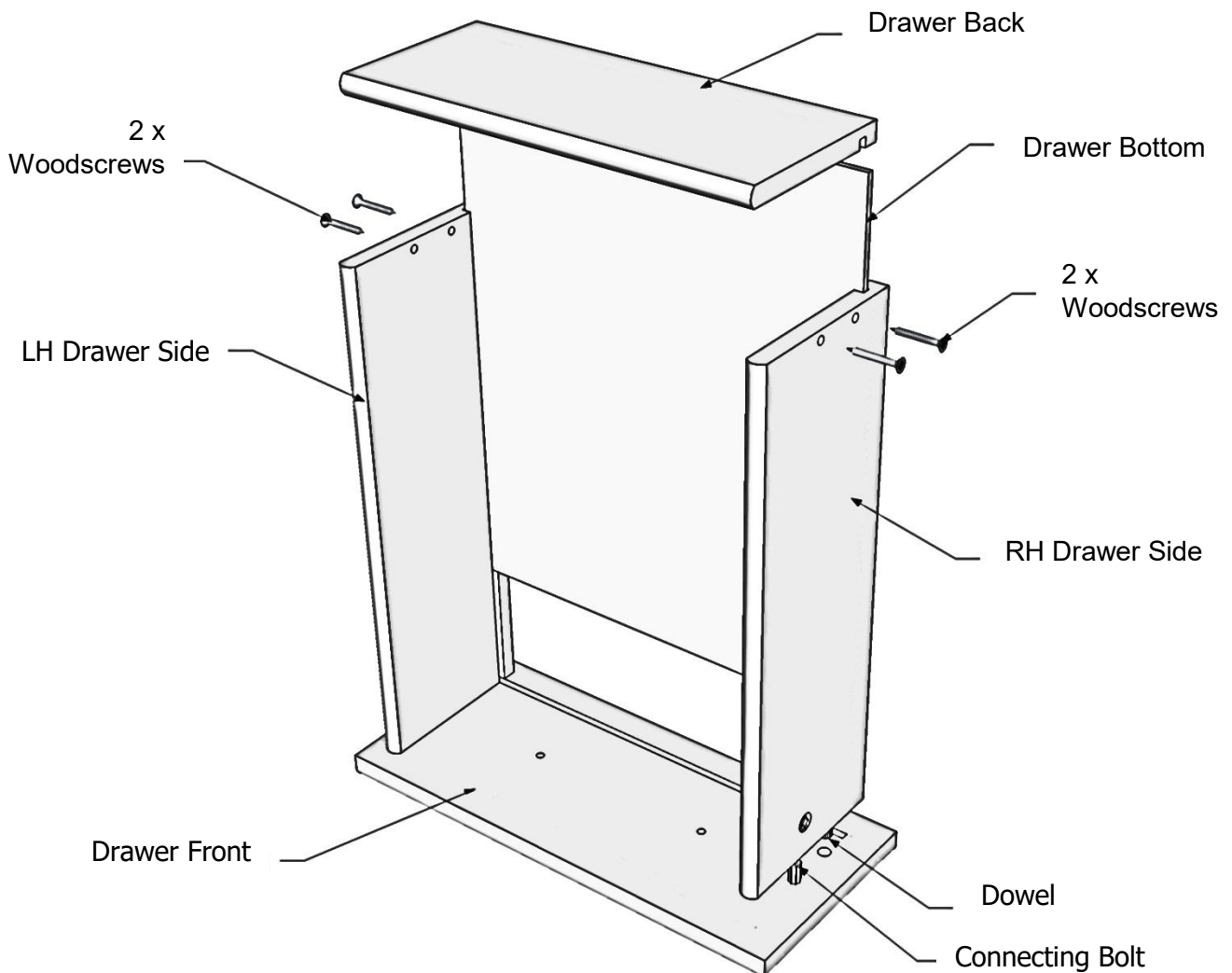
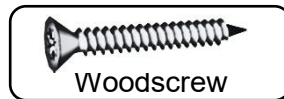
- Install the hardware in the Drawer parts as shown below.



Note: Be sure that the arrow on the Small Cam points to the end of the drawer side nearest it.

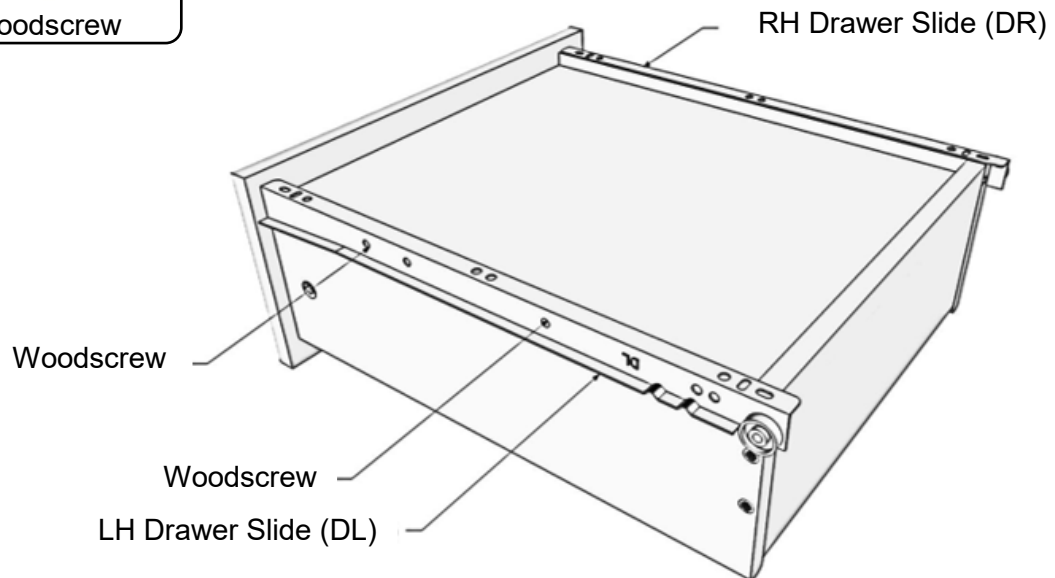
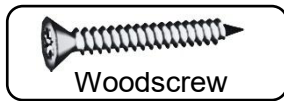
STEP 10: Assemble the Drawer

- Lay the Drawer Front finishes side down on a smooth, clean surface.
- Attach the **LH and RH Drawer Sides** by fitting them into place over the Connecting Bolts installed in the **Drawer Front**.
- Turn the Small Cams in a clockwise direction to lock the **Drawer Sides** in place.
- Slide the **Drawer Bottom** into place in the grooves in the **Drawer Sides** and **Drawer Front**.
- Fit the **Drawer Back** into place between the **Drawer Sides**. The groove in the **Drawer Back** will fit over the end of the **Drawer Bottom**.
- Secure the **Drawer Sides** to the **Drawer Back** with four Woodscrews as shown below.



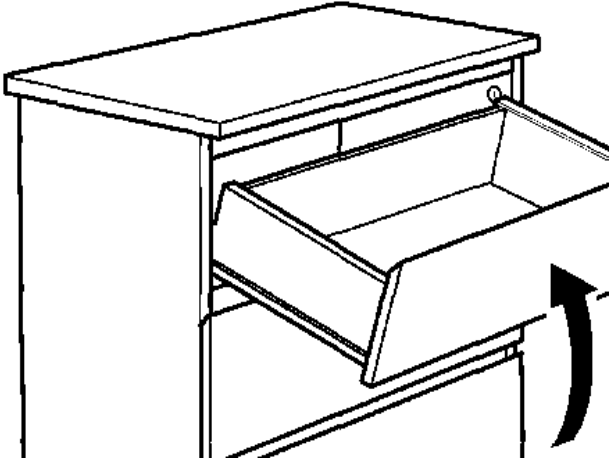
STEP 11: Attach the Drawer Slides

- Turn the drawer upside-down as shown and attached the Drawer Slides (DL and DR) with the four woodscrews as shown below. Ensure that the ends of the slides without the wheels are hard up against the back of the Drawer Front. **Each side requires two slides.**



STEP 12: Attach the Handle and Insert the Drawers

- Attach the Bar Handles to the Drawer Front using the screws provided
- Fit the drawers into the Tallboy. Make sure that the rollers at the back of the drawer go behind the front rollers in the cabinet and into the channel of the drawer slide. It helps to lift the front of the drawer up a little when doing this.



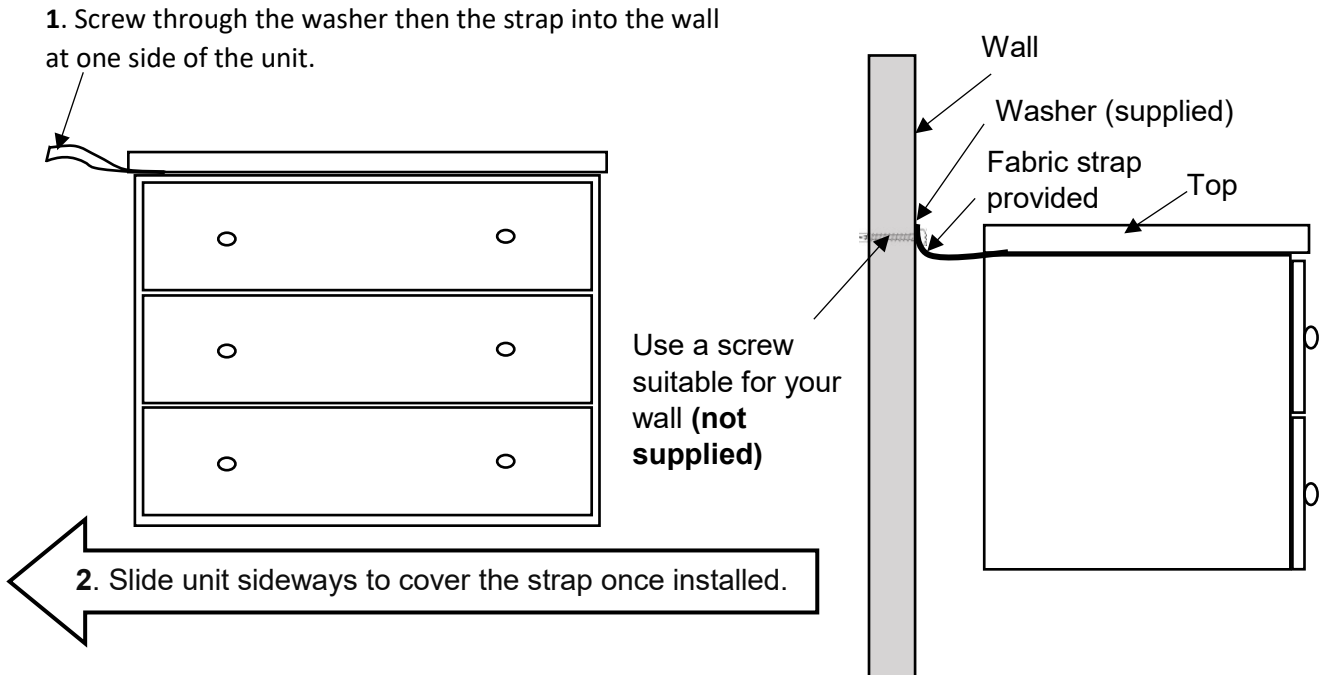
Angle the drawer slightly to ensure that the wheel at the back of the drawer slide goes behind the front wheel on the cabinet slide. Then lift the drawer up and slide it into the channel of the drawer slide.



STEP 12: Attach the Handle and Insert the Drawers

Compac Furniture strongly recommends using a safety strap on all furniture, especially if small children are around.

Secure your unit to the wall using the Safety Strap and a screw suitable for your wall (**not supplied**). We recommend you screw into a stud. If you cannot locate a stud, use a wall anchor appropriate for your wall.



Please note: This is a precautionary measure. The use of tip-over restrains may only reduce but not eliminate, the risk of tip over. Compac Furniture can take no responsibility.

Congratulations, your Tākiwira 4 Drawer Tallboy is now complete. Thank you for supporting New Zealand Made furniture.



LIVING & CO[®]

WARRANTY

We pride ourselves on producing a range of quality products that are both packed with features and completely reliable.

We are so confident in our products, we back them up with a five-year warranty. Now you too can relax knowing that you are covered.

For parts and assistance, call the manufacturer direct on 0800 100 858. Please do not call the store you purchased the cabinet from as they will be unable to help you.

This product is covered by five-year warranty when accompanied by proof of purchase.



5 YEAR
WARRANTY