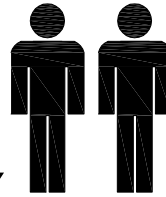


**MODEL NAME: WORKSPACE SOHO
8 CUBE CUBBY**

60min

APPROXIMATE ASSEMBLY TIME

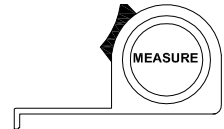
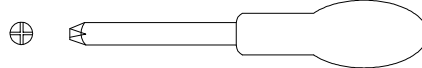
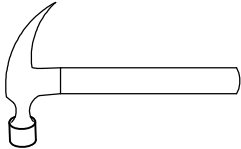
2 PERSON OF ASSEMBLY



**FLOOR AREA
2.0M X 2.0M**

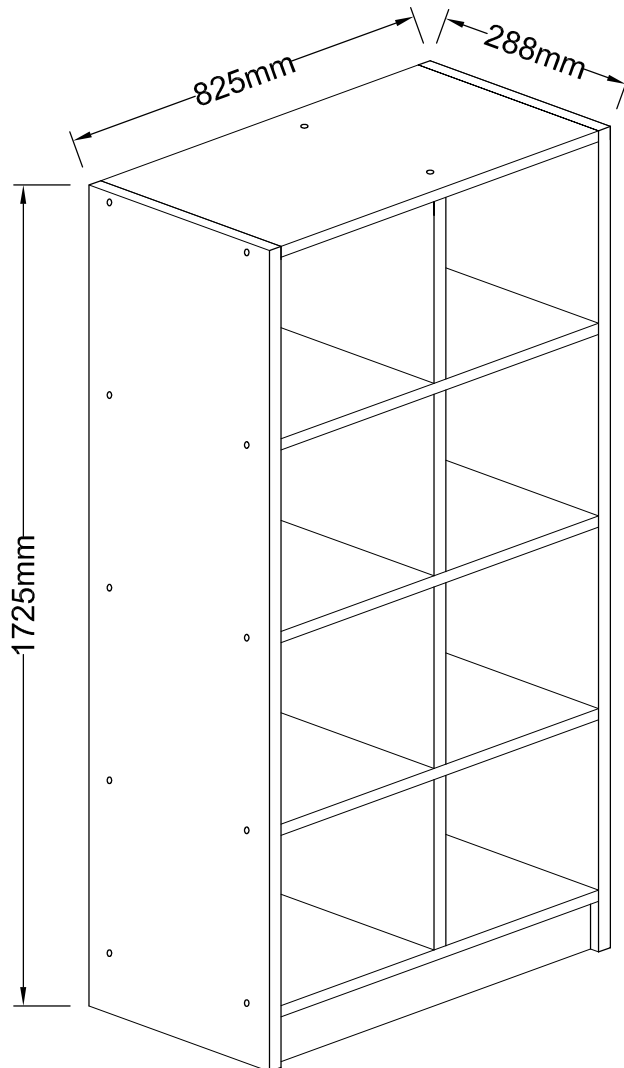


REQUIRED ASSEMBLY SPACE



REQUIRED ASSEMBLY TOOLS

ASSEMBLED DIMENSIONS



NOTE : THE MAXIMUM WEIGHT THIS PRODUCT CAN HOLD UP TO 25 KGS.

	MODEL NAME: WORKSPACE SOHO 8 CUBE CUBBY
--	---

Top Tips before you start :

1. Please check that all parts are present before you start the assembly of your furniture.
2. For ease and speed of assembly, we recommend that before you commence each step of the assembly, that you identify all the parts required for that step.
3. For larger items, please ensure that you have sufficient space and people (as indicated on page 1) to assemble your product safely.
4. We recommend that, where possible, all items are assembled near to the area in which they will be placed in use, to avoid moving the product unnecessarily once assembled.
5. For the protection of your furniture, we recommend that the product is placed on a protected surface during assembly to prevent any damage.
6. During assembly please take care not to over-tighten any fittings, as this may damage the product.
7. Always place the product on a flat, steady and stable surface.
8. Do not sit or stand on the product. Do not use the product as a stepladder.
9. This product is intended for indoor, household use only as it is non industrial product.

Care and Maintenance of your Furniture

- Please periodically check all fittings and re-tighten as necessary.
- To clean your item, please use a damp cloth and wipe clean.
- Never allow any kind of liquid to remain on your furniture. Absorption can cause wood to warp or finishes to de-laminate.
- Please do not place hot items (e.g. Hot drinks) directly on to the surface.
- Please do not drag and pull your furniture.

WARNING

We recommend you to fix the furniture to the wall with the enclosed safety straps to prevent it from tipping over if a child climbs or hangs on it. Different wall materials require different types of fixing devices, if you are uncertain about what type of screw or fitting to use, please contact your local hardware store.

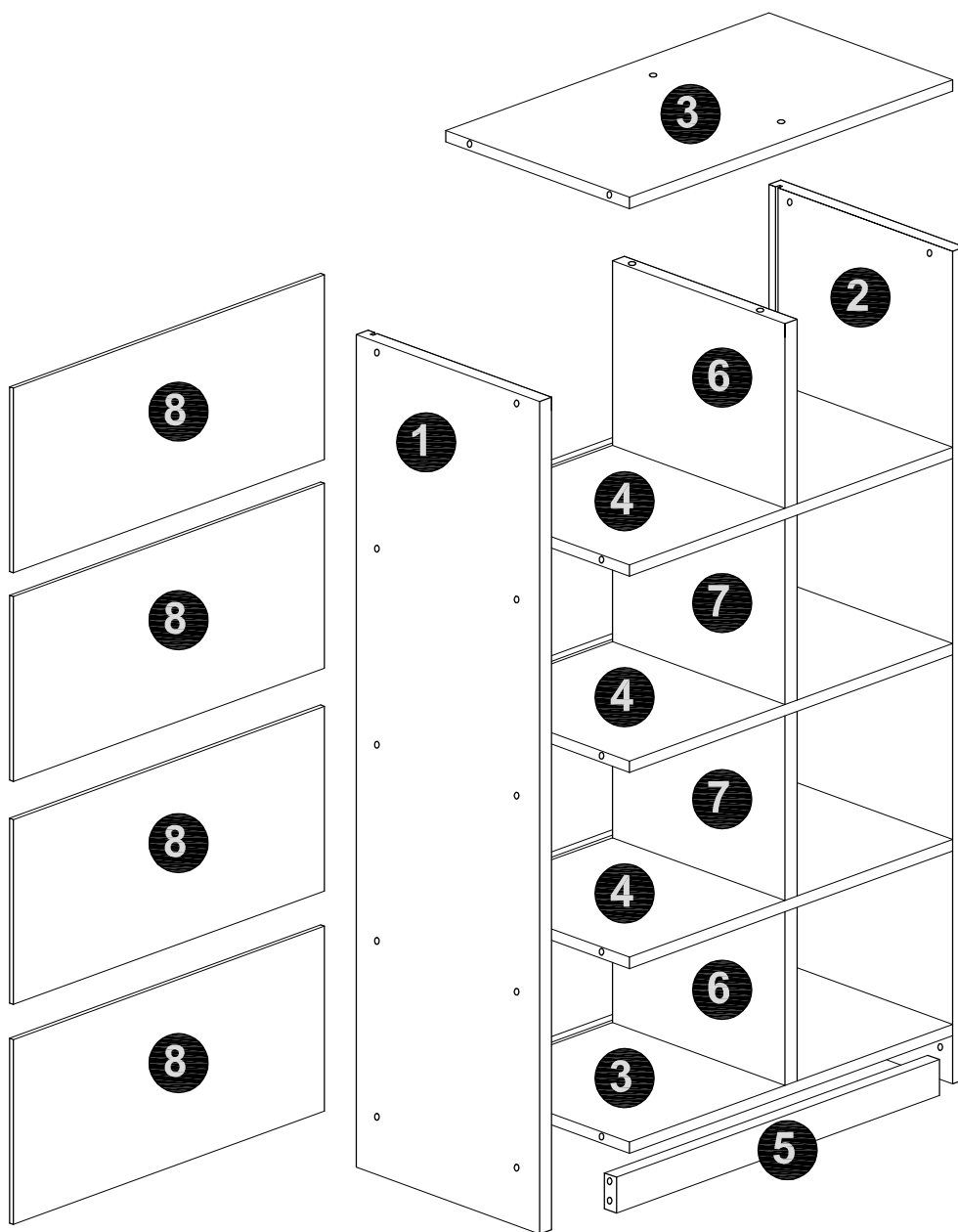
It is undesirable to place objects of interest to children in view on this type of furniture item, as children may be tempted to climb to retrieve the objects the result that the furniture item may tip and cause injury of death.

Furniture items can tip under certain circumstances, especially when placed on carpet, uneven or sloping flooring or when subject to extreme use. Therefore care must be taken especially where small children can access any chests of drawers or bookcases or similar furniture items.

**MODEL NAME: WORKSPACE SOHO
8 CUBE CUBBY**

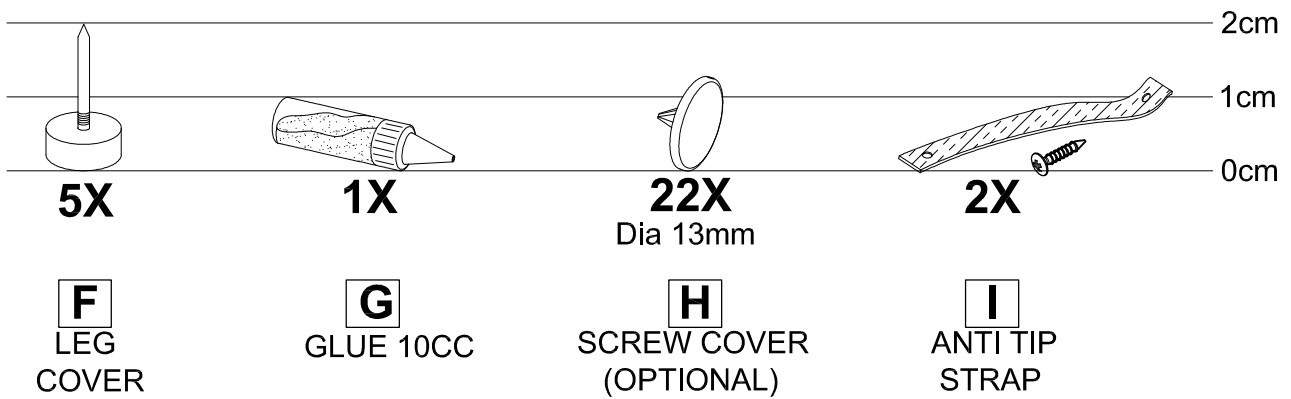
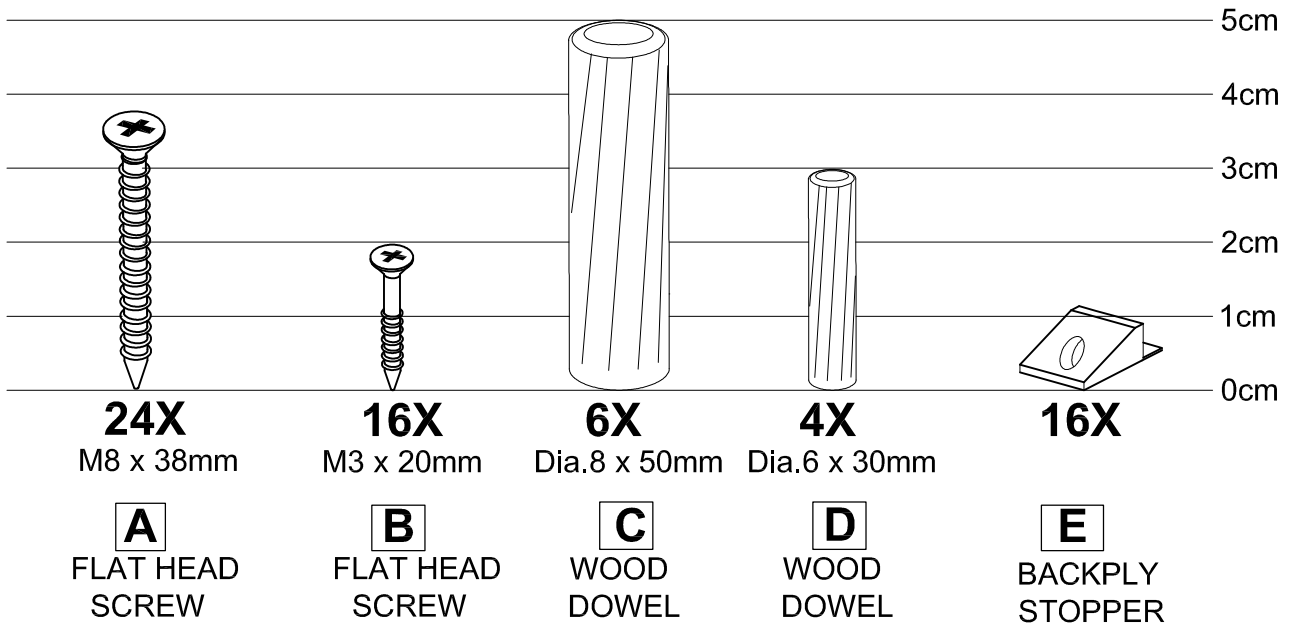
NO.	PART LIST	QTY	NO.	PART LIST	QTY
(1)	LEFT SIDE PANEL	1	(5)	CROSSBAR	1
(2)	RIGHT SIDE PANEL	1	(6)	CENTRE DIVIDER (A)	2
(3)	TOP & BOTTOM PANEL	2	(7)	CENTRE DIVIDER (B)	2
(4)	FIXED SHELF	3	(8)	BACK PANEL	4

PARTS LIST



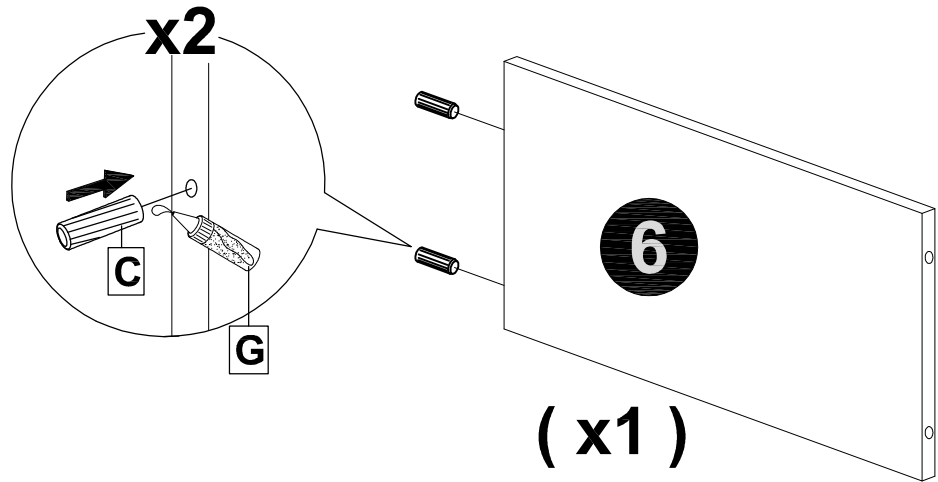
**MODEL NAME: WORKSPACE SOHO
8 CUBE CUBBY**

HARDWARE LIST

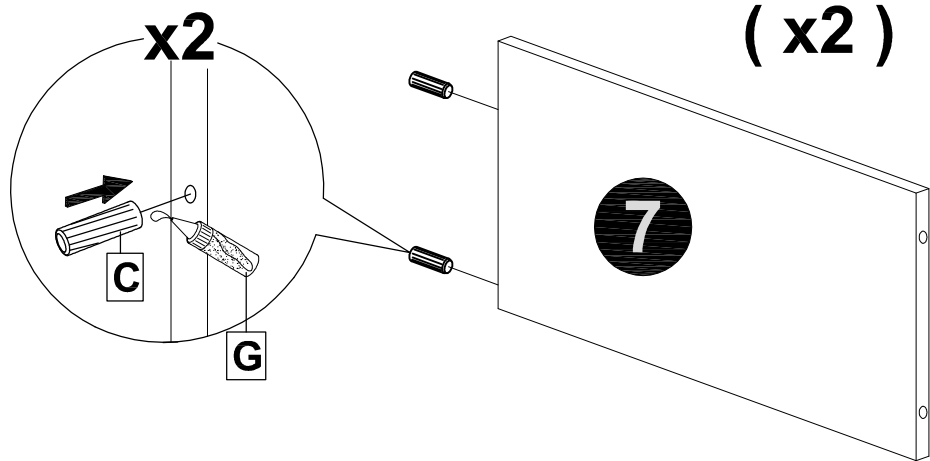


MODEL NAME: **WORKSPACE SOHO
8 CUBE CUBBY**

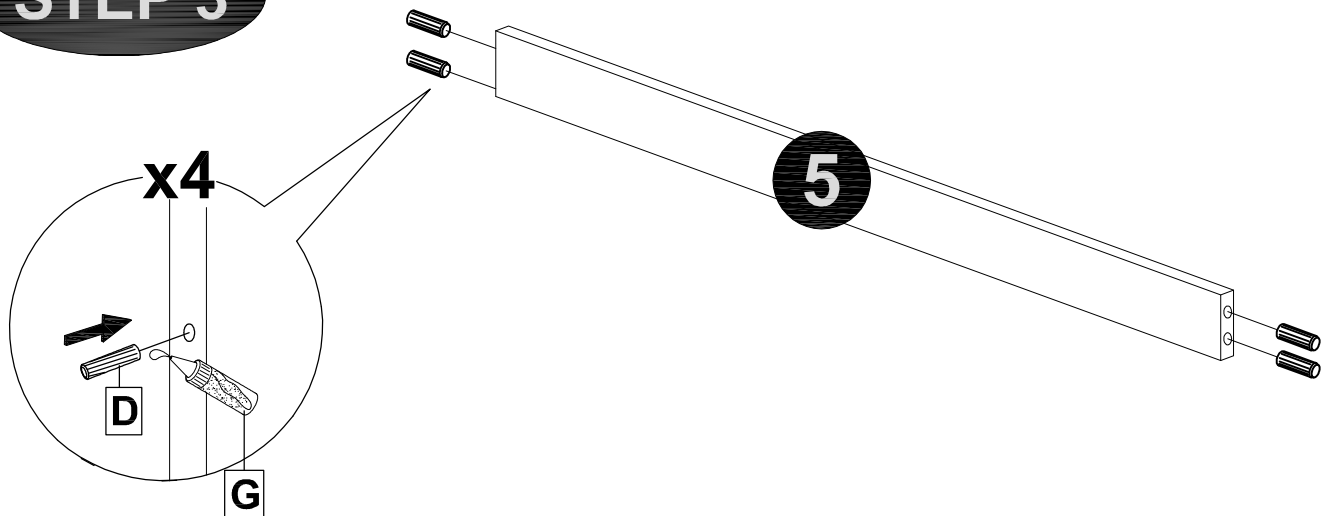
STEP 1



STEP 2

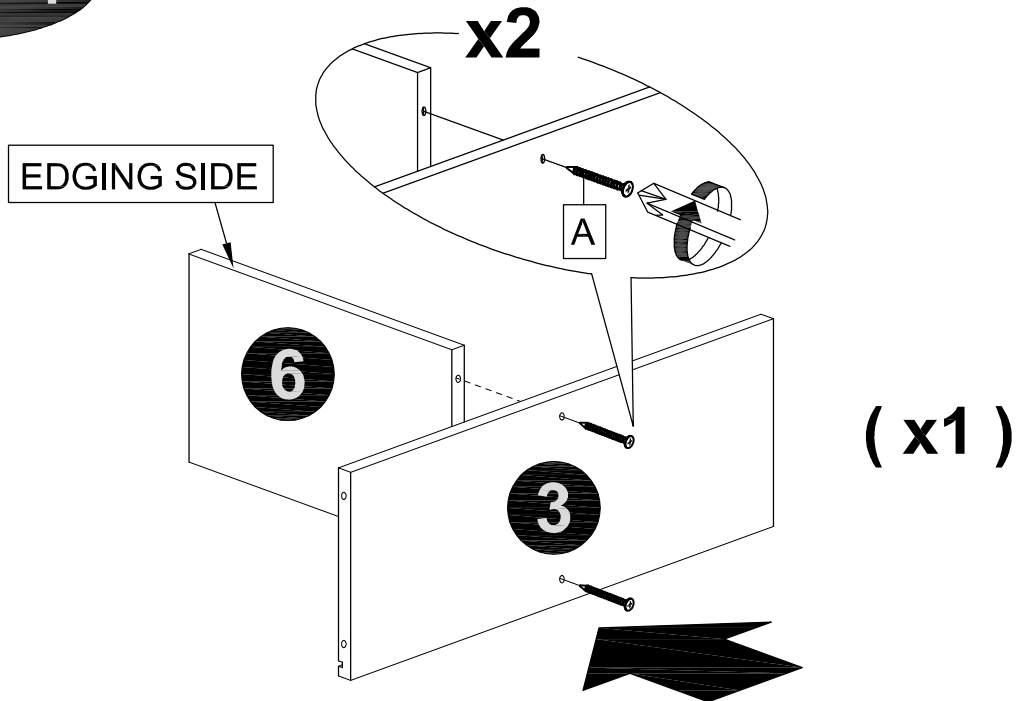


STEP 3

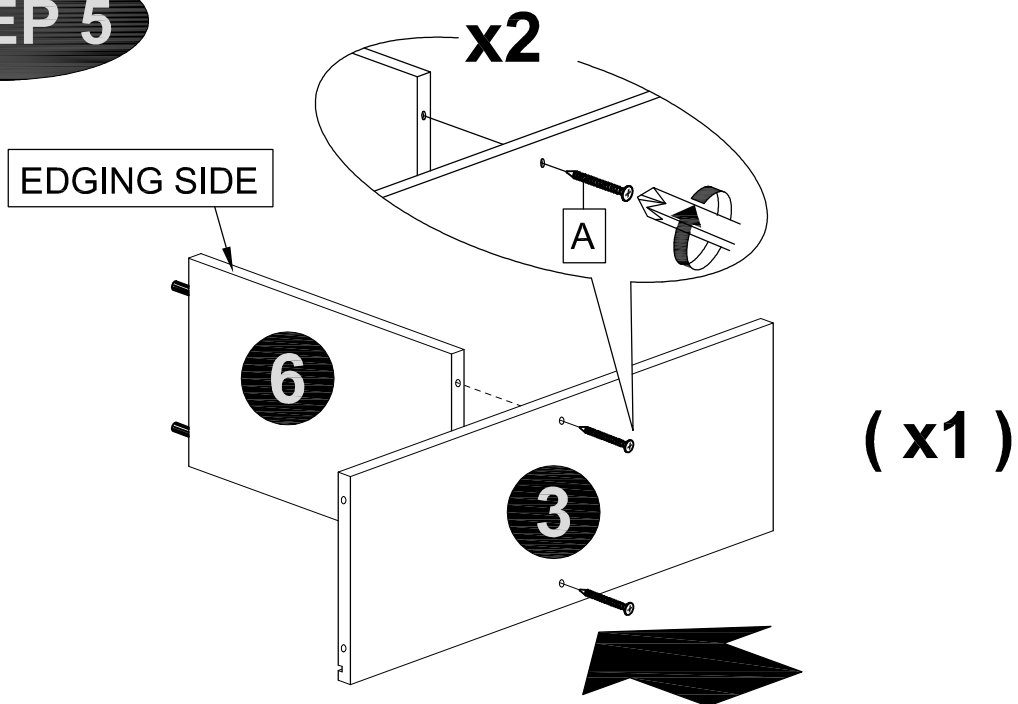


**MODEL NAME: WORKSPACE SOHO
8 CUBE CUBBY**

STEP 4

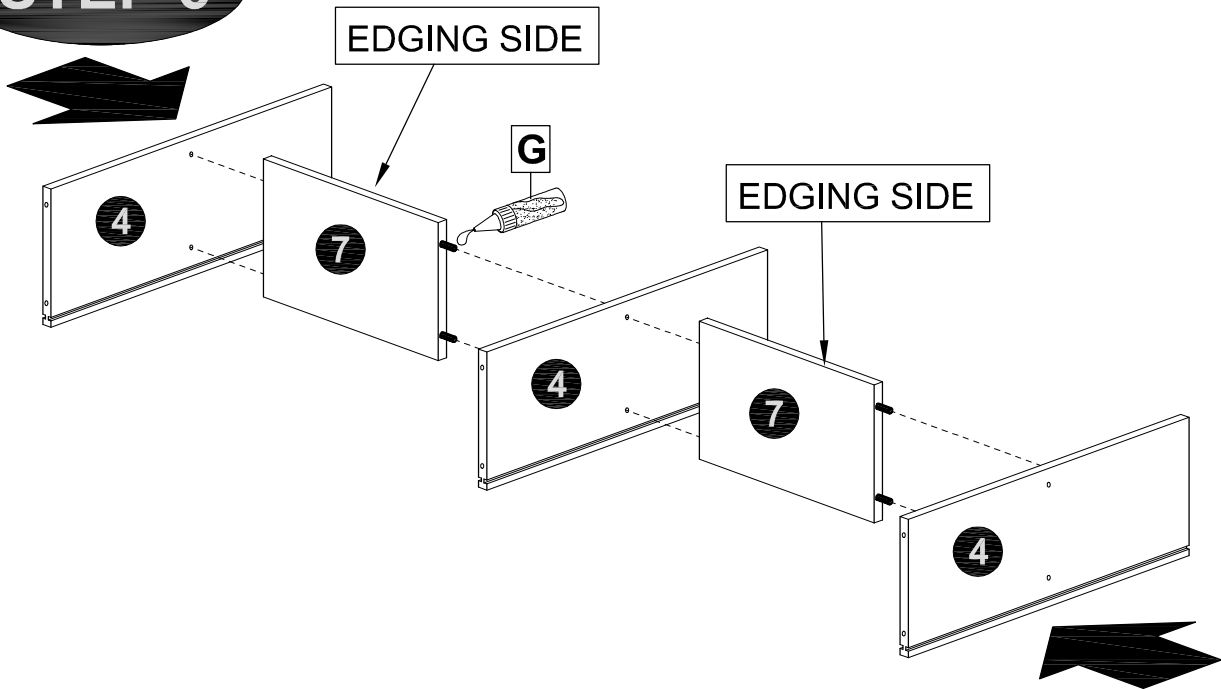


STEP 5

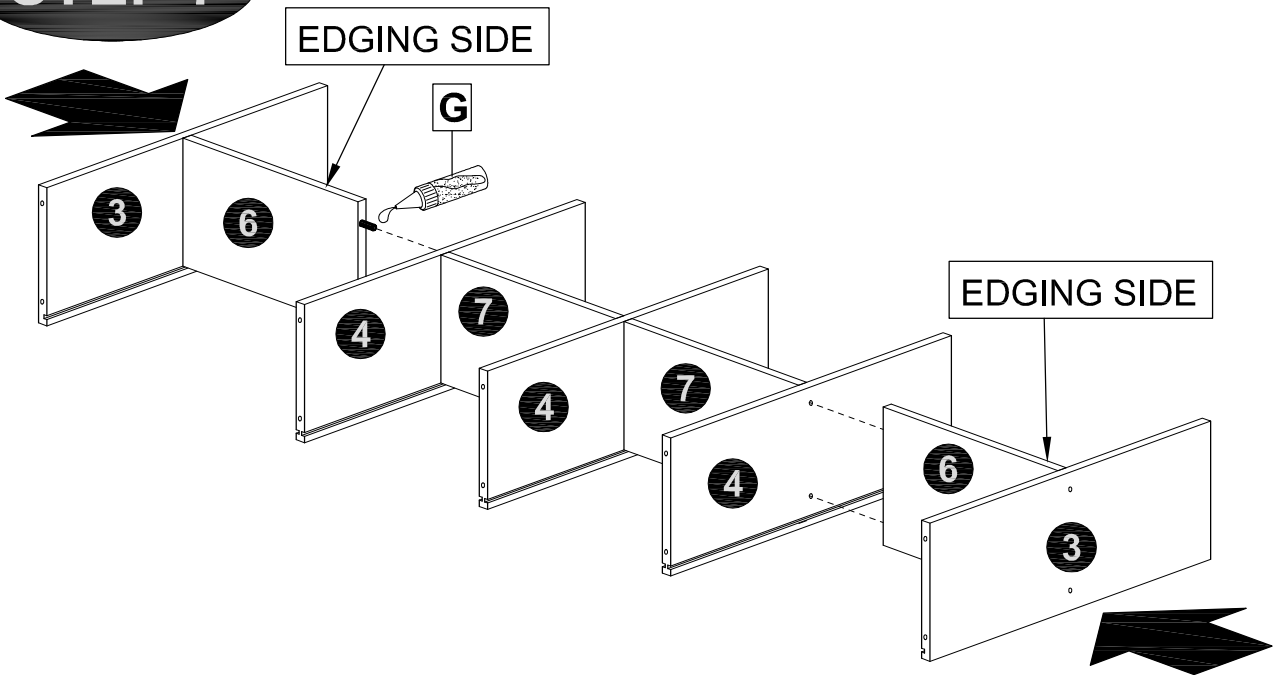


**MODEL NAME: WORKSPACE SOHO
8 CUBE CUBBY**

STEP 6

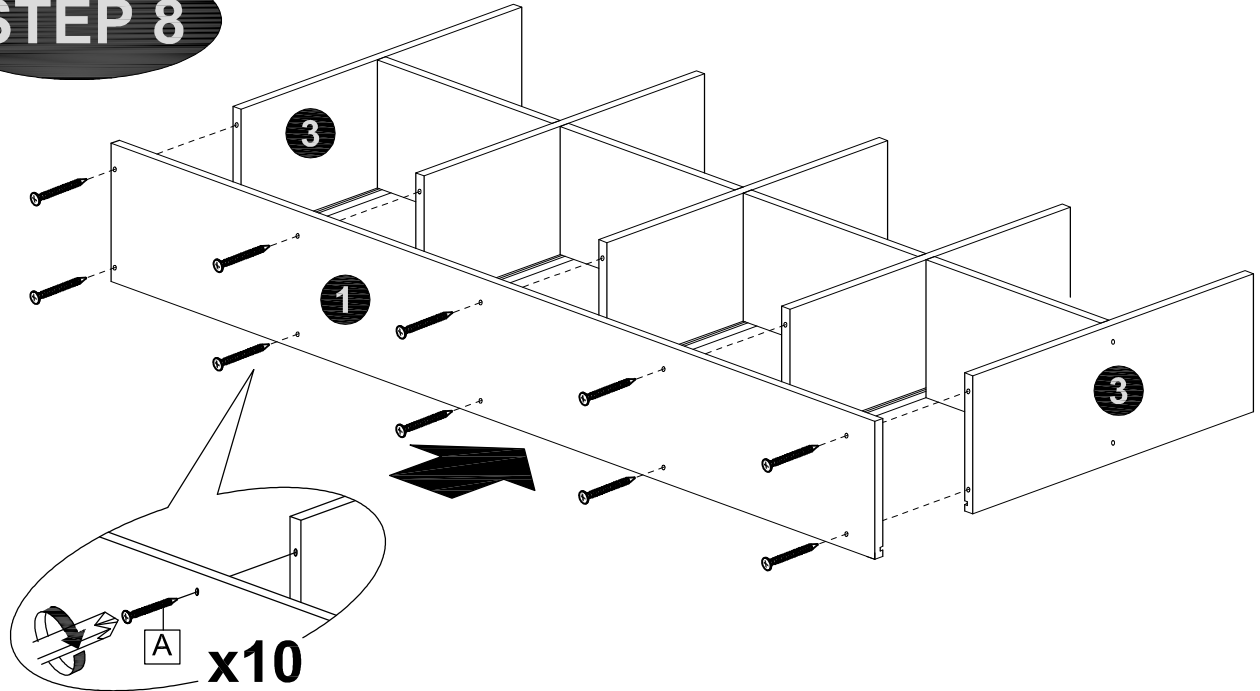


STEP 7

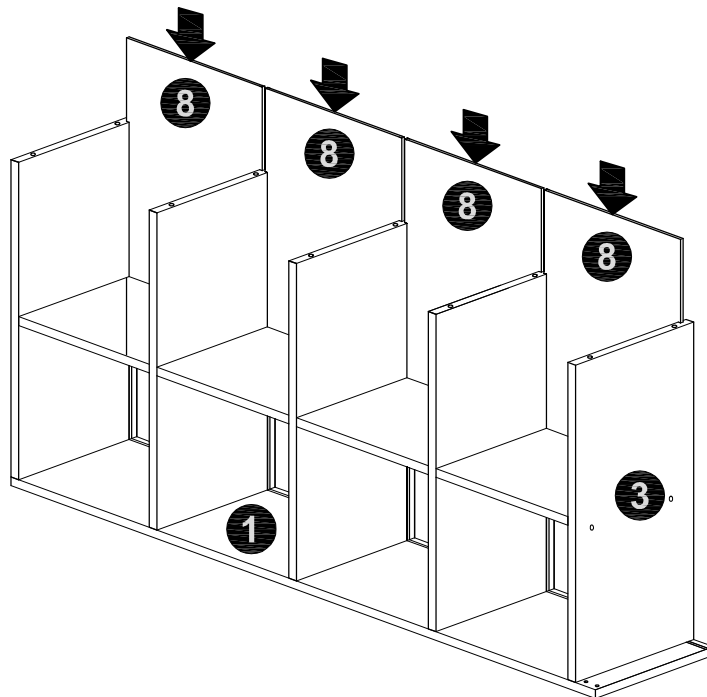


**MODEL NAME: WORKSPACE SOHO
8 CUBE CUBBY**

STEP 8

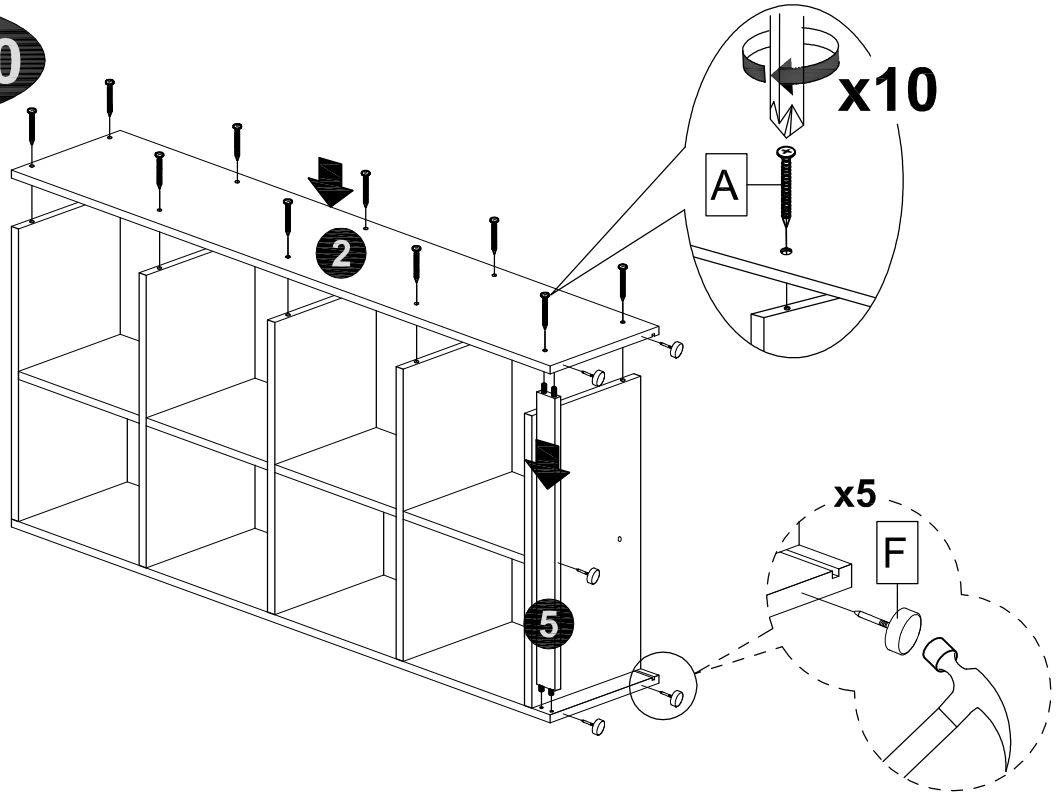


STEP 9

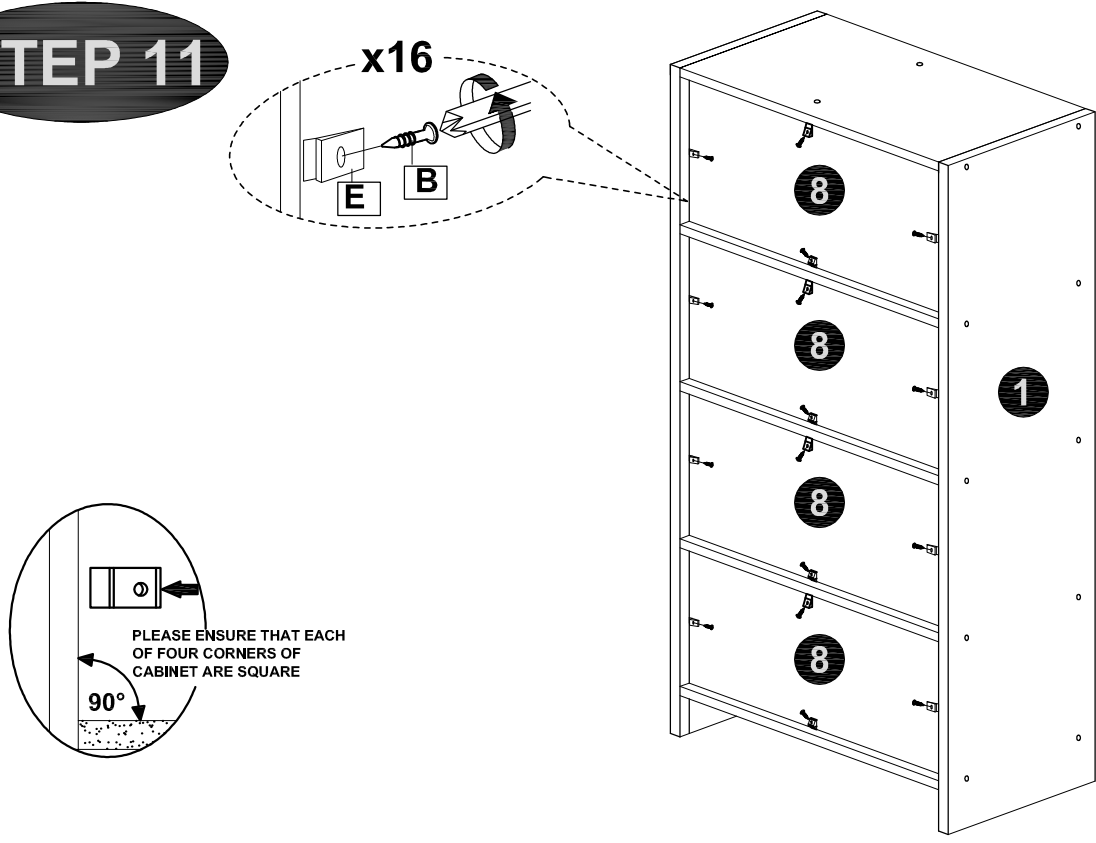


MODEL NAME: **WORKSPACE SOHO**
8 CUBE CUBBY

STEP 10

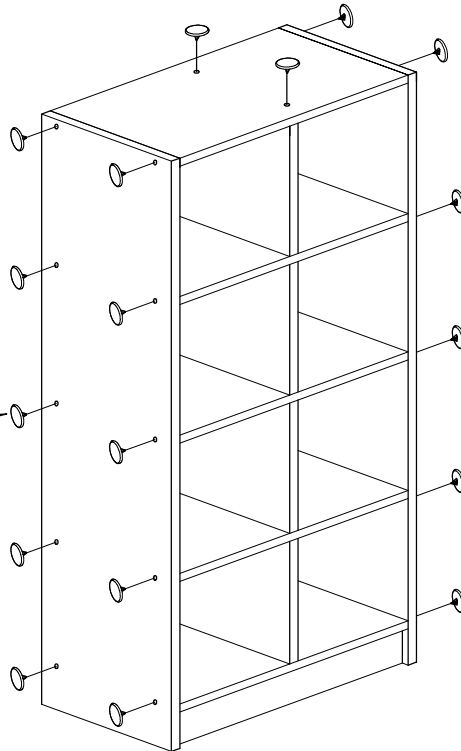
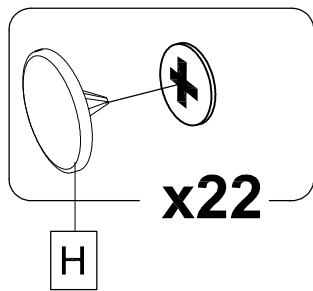


STEP 11

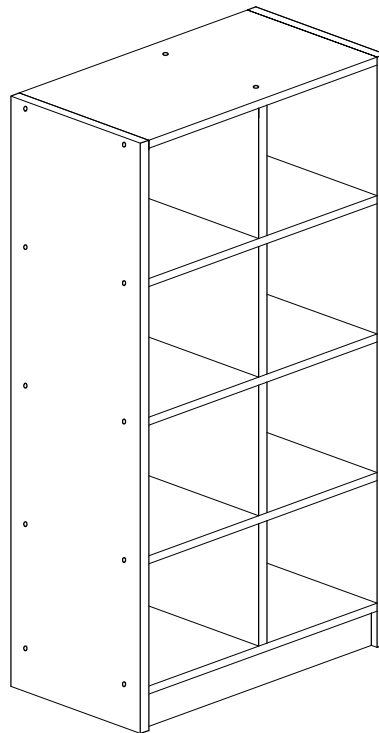


**MODEL NAME: WORKSPACE SOHO
8 CUBE CUBBY**

STEP 12

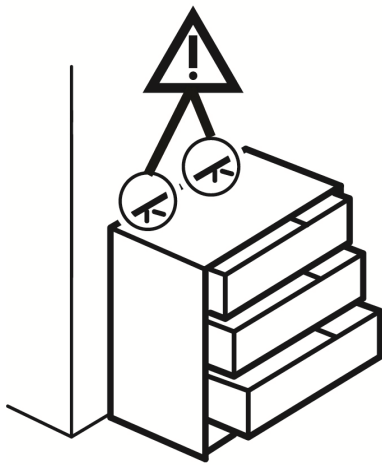


STEP 13



SAFETY WARNING :

It is recommended that you fit the anti-tip bracket to this item to avoid tipping and causing injury.



Serious or fatal crushing injuries can occur from furniture tip-over. Use of tip-over restraints may only reduce but not eliminate the risk of tip-over. To help prevent tip-over:

- Place heaviest items in the bottom drawers.
- Unless specifically designed to accommodate, do not set TVs or other heavy objects on top of this product.
- Never allow children to climb or hang on drawers, doors or shelves.
- Never open more than one drawer at a time.

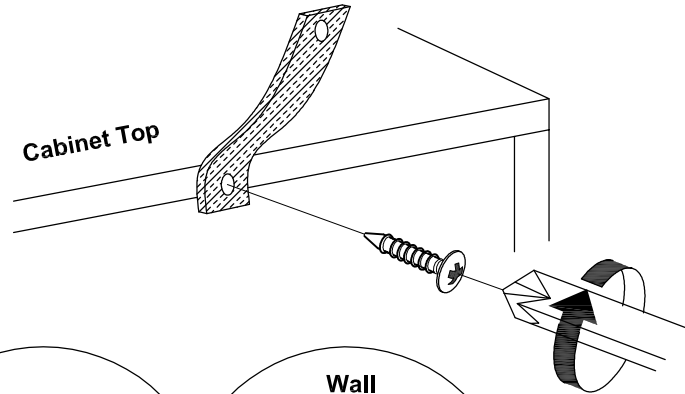
SAFETY WARNING :

It is recommended that you fit the anti-tip bracket to this item to avoid tipping and causing injury.

FITTING OF ANTI-TIP BRACKET

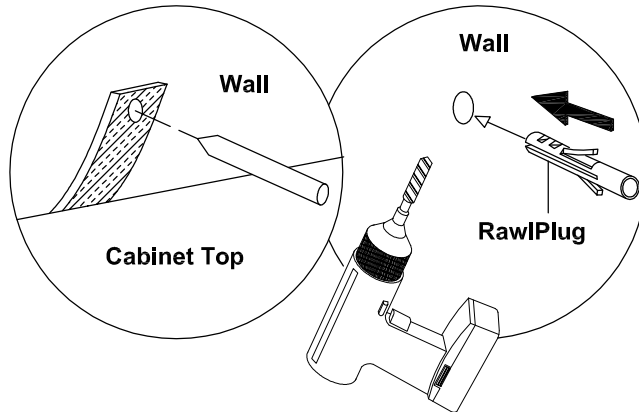
STEP 1 :

Insert screws through bracket into pre-drilled holes in cabinet.



STEP 2 :

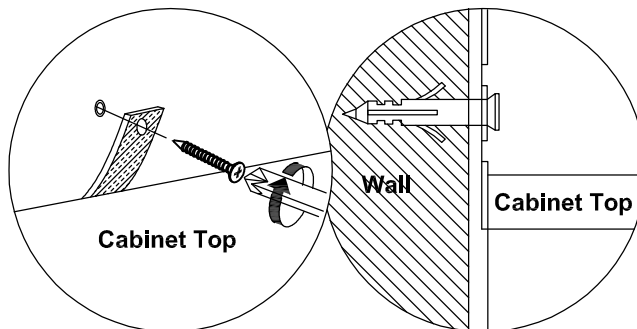
Make a mark on the wall through the bracket.



Drill a hole in the wall and insert the rawlplug.

STEP 3 :

Insert screw through bracket into hole in wall



NOTE : Wall fixings are not supplied with this product as different wall materials require different types of fixing devices (such as Rawl plugs on brick work). You must use fixing devices suitable for the type of wall you intend to mount this product to. Please ensure that the head of any screw used has a diameter greater than the diameter of the mounting hole on the bracket and that the fixing is safe and secure before use.

The screw supplied is to fix the anti-tip strap to the cabinet.

HARDWARE LIST



Anti-Tip Strap - 2pcs



M4 x 16MM - 2pcs