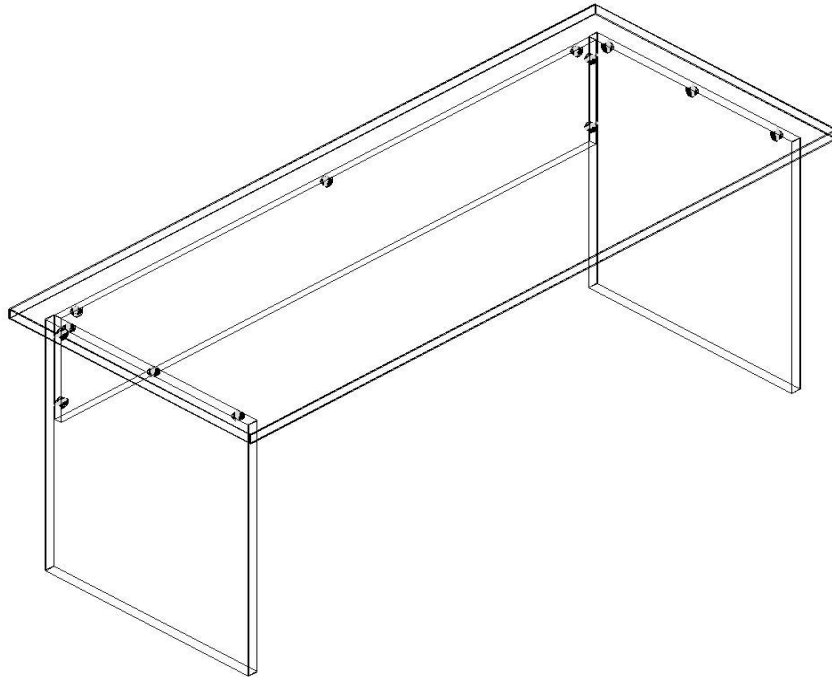


# ZEALAND

## OFFICE FURNITURE

### Desk



<b>TOOLS REQUIRED</b>
POZIDRIVE SCREW DRIVER

DESK COMPONENTS	QUANTITY
TOP	1
LEFT LEG	1
RIGHT LEG	1
BRACE	1
<b>HARDWARE</b>	<b>QUANTITY</b>
<b>( PACKAGED WITH LEGS )</b>	
CAMS (PRE FITTED IN FACTORY )	13
CAM BOLTS	13

**STEP 1**

PLACE TOP PANEL FACE DOWN ON A CLEAN SURFACE SUCH AS CARPET ENSURING THERE IS NO DIRT OR GRIT THAT MAY CAUSE SCRATCHES.

**STEP 2**

USING A POZIDRIVE SCREWDRIVER INSERT 9 CAM BOLTS INTO THE 5MM DRILLED HOLES IN THE TOPS

**STEP 3**

USING A POZIDRIVE SCREWDRIVER INSERT 2 CAM BOLTS INTO THE 5MM DRILLED HOLES IN THE LEFT HAND LEG

**STEP 4**

USING A POZIDRIVE SCREWDRIVER INSERT 2 CAM BOLTS INTO THE 5MM DRILLED HOLES IN THE RIGHT HAND LEG

**STEP 5**

PLACE THE LEFT HAND LEG PANEL AND CAMS ON TO THE TOP CAM BOLTS AND USING A POZIDRIVE SCREWDRIVER TIGHTEN CAMS UNTIL FULLY TIGHT

**STEP 6**

PLACE THE BRACE PANEL AND CAMS ON TO THE TOP AND LEG PANEL CAM BOLTS AND USING A POZIDRIVE SCREWDRIVER TIGHTEN CAMS UNTIL FULLY TIGHT

**STEP 7**

PLACE THE RIGHT HAND LEG PANEL AND CAMS ON TO THE TOP CAM BOLTS AND USING A POZIDRIVE SCREWDRIVER TIGHTEN CAMS UNTIL FULLY TIGHT

**STEP 8**

BEFORE TURNING THE DESK THE CORRECT WAY UP, PLEASE ENSURE ALL CAMS ARE FULLY TIGHTENED

**STEP 9**

USING A 2ND PERSON TO HELP LIFT, TURN THE DESK OVER AND PLACE IN DESIRED POSITION, **DO NOT DRAG ASSEMBLED DESK**

**YOU ARE NOW READY TO ENJOY YOUR DESK. THANK YOU, WE APPRECIATE YOU SUPPORTING OUR NEW ZEALAND MADE PRODUCT**