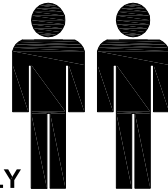
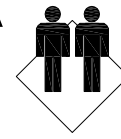


**MODEL NAME:**  
**WORKSPACE SOHO  
WORKSTATION**

**2.0hr**



FLOOR AREA  
2.0M X 2.0M

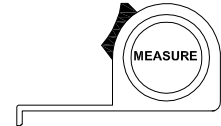
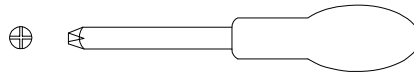


CEILING HEIGHT  
2.2M

APPROXIMATE ASSEMBLY TIME

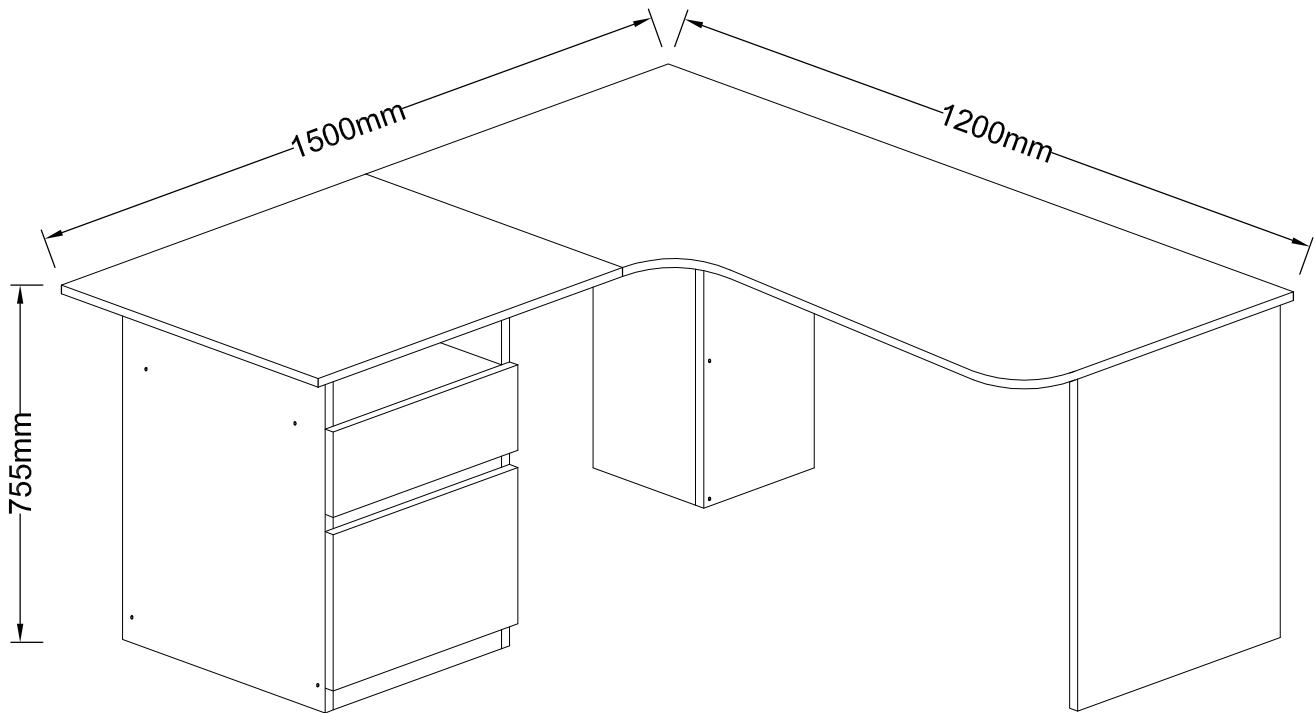
2 PEOPLE FOR ASSEMBLY

REQUIRED ASSEMBLY SPACE



REQUIRED ASSEMBLY TOOLS

ASSEMBLED DIMENSIONS



	<b>MODEL NAME:</b> <b>WORKSPACE SOHO WORKSTATION</b>
--	---

**Top Tips before you start :**

1. Please check that all parts are present before you start the assembly of your furniture.
2. For ease and speed of assembly, we recommend that before you commence each step of the assembly, that you identify all the parts required for that step.
3. For larger items, please ensure that you have sufficient space and people ( as indicated on page 1 ) to assemble your product safely.
4. We recommend that, where possible, all items are assembled near to the area in which they will be placed in use, to avoid moving the product unnecessarily once assembled.
5. For the protection of your furniture, we recommend that the product is placed on a protected surface during assembly to prevent any damage.
6. During assembly please take care not to over-tighten any fittings, as this may damage the product.
7. Always place the product on a flat, steady and stable surface.
8. Do not sit or stand on the product. Do not use the product as a stepladder.
9. This product is intended for indoor, household use only as it is non industrial product.

**Care and Maintenance of your Furniture**

- Please periodically check all fittings and re-tighten as necessary.
- To clean your item, please use a damp cloth and wipe clean.
- Never allow any kind of liquid to remain on your furniture. Absorption can cause wood to warp or finishes to de-laminate.
- Please do not place hot items (e.g. Hot drinks) directly on to the surface.
- Please do not drag and pull your furniture.

**WARNING**

We recommend you to fix the furniture to the wall with the enclosed safety straps to prevent it from tipping over if a child climbs or hangs on it. Different wall materials require different types of fixing devices, if you are uncertain about what type of screw or fitting to use, please contact your local hardware store.

It is undesirable to place objects of interest to children in view on this type of furniture item, as children may be tempted to climb to retrieve the objects the result that the furniture item may tip and cause injury of death.

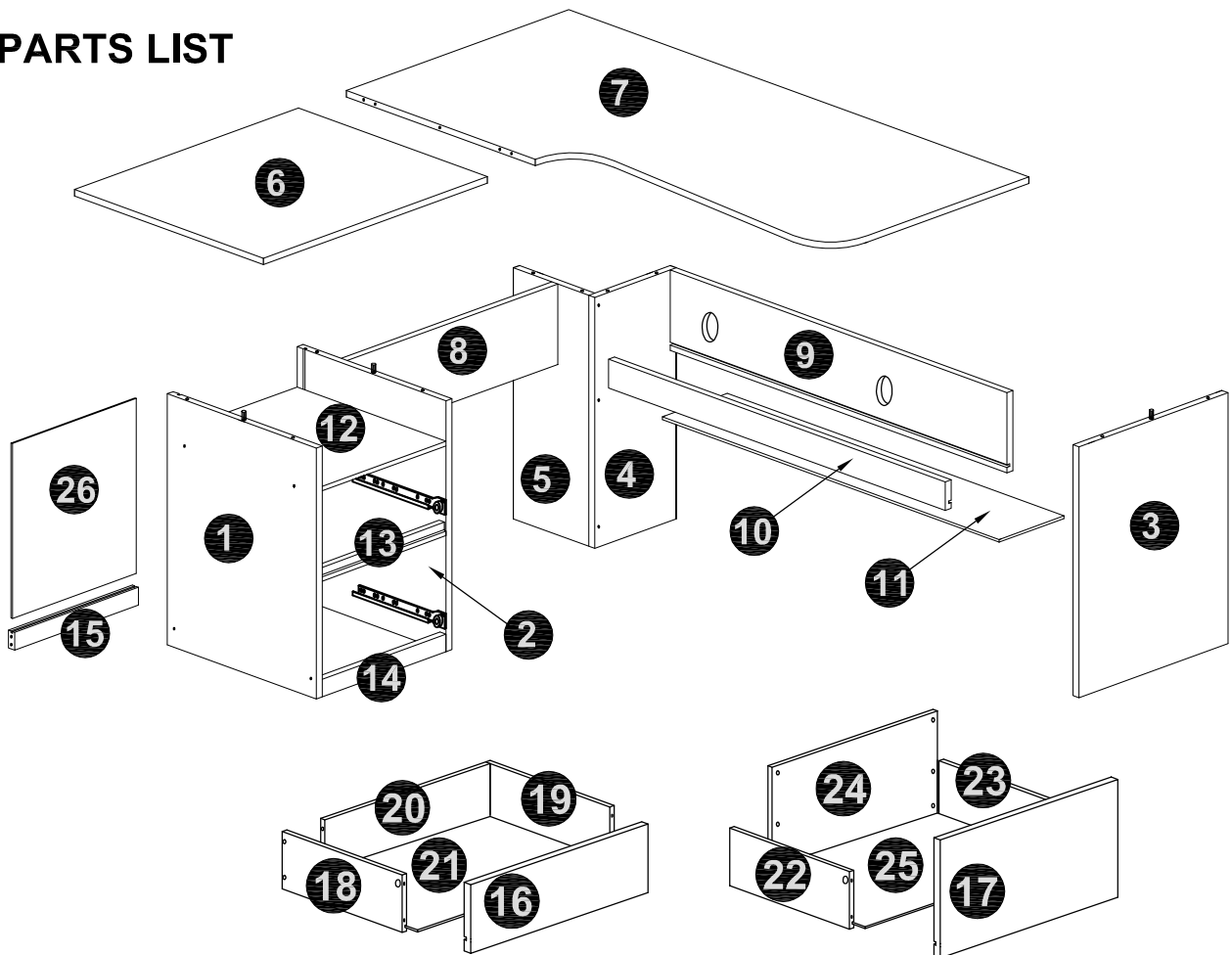
Furniture items can tip under certain circumstances, especially when placed on carpet, uneven or sloping flooring or when subject to extreme use. Therefore care must be taken especially where small children can access any chests of drawers or bookcases or similar furniture items.

**MODEL NAME:**

**WORKSPACE SOHO  
WORKSTATION**

NO.	PART LIST	QTY	NO.	PART LIST	QTY
(1)	LEFT SIDE PANEL	1	(16)	DRAWER FRONT -SMALL	1
(2)	CENTRE PANEL	1	(17)	DRAWER FRONT -LARGE	1
(3)	RIGHT SIDE PANEL	1	(18)	SMALL DRAWER SIDE (LEFT)	1
(4)	BACK SUPPORT RIGHT	1	(19)	SMALL DRAWER SIDE (RIGHT)	1
(5)	BACK SUPPORT LEFT	1	(20)	SMALL DRAWER BACK PANEL	1
(6)	TABLE PANEL LEFT	1	(21)	SMALL DRAWER BASE	1
(7)	TABLE PANEL RIGHT	1	(22)	LARGE DRAWER SIDE (LEFT)	1
(8)	TABLE TOP SUPPORT LEFT	1	(23)	LARGE DRAWER SIDE (RIGHT)	1
(9)	TABLE TOP SUPPORT RIGHT	1	(24)	LARGE DRAWER BACK PANEL	1
(10)	RIGHT SUPPORT PANEL	1	(25)	LARGE DRAWER BASE	1
(11)	BOTTOM PANEL	1	(26)	BACK PANEL	1
(12)	FIXED SHELF	1			
(13)	DRAWER SUPPORT PANEL	1			
(14)	FRONT CROSSBAR	1			
(15)	BACK CROSSBAR	1			

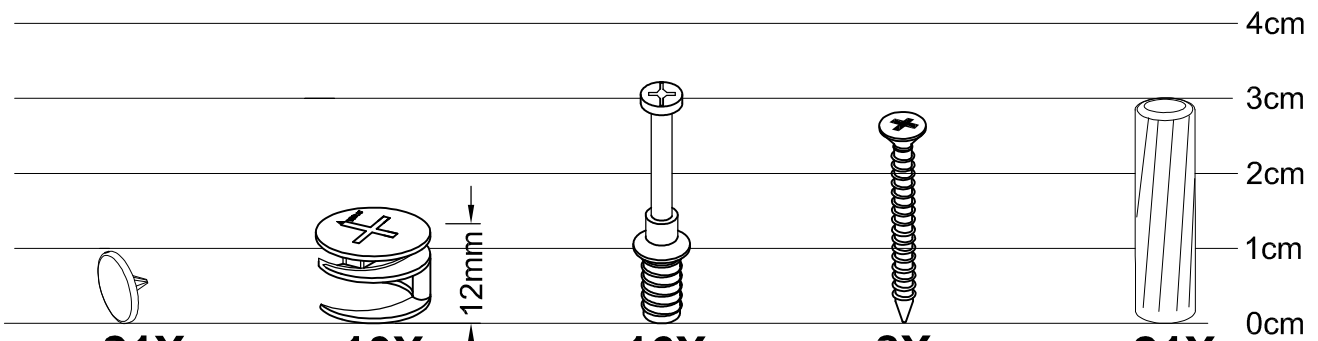
**PARTS LIST**



MODEL NAME:

# WORKSPACE SOHO WORKSTATION

## HARDWARE LIST



**21X**  
Dia.13mm

**10X**  
Dia.15mm

**16X**  
M6.5

**8X**  
M3.5 x 25mm

**21X**  
Dia.6 x 30mm

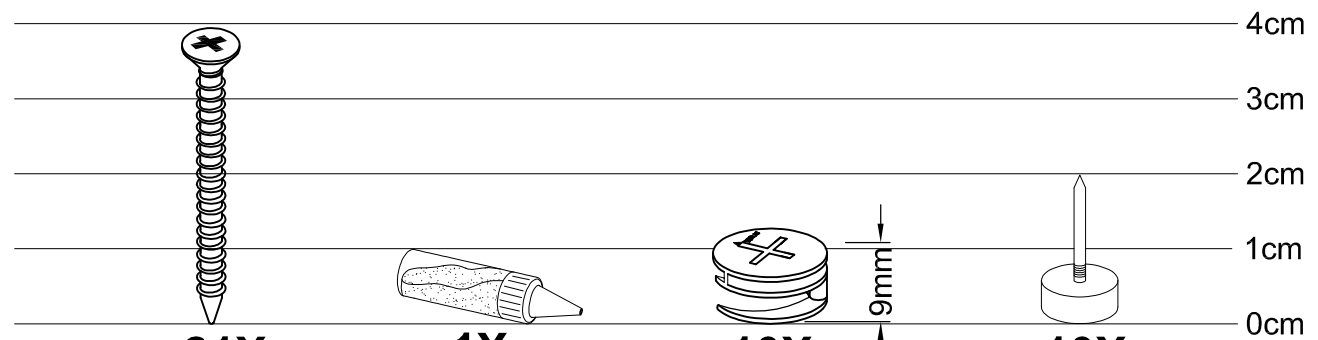
**A**  
SCREW COVER  
(OPTIONAL)

**B**  
LARGE  
CAM-LOCK

**C**  
CAM BOLT

**D**  
FLAT HEAD  
SCREW

**E**  
WOOD  
DOWEL



**21X**  
M8 x 38mm

**1X**

**10X**  
Dia.15mm

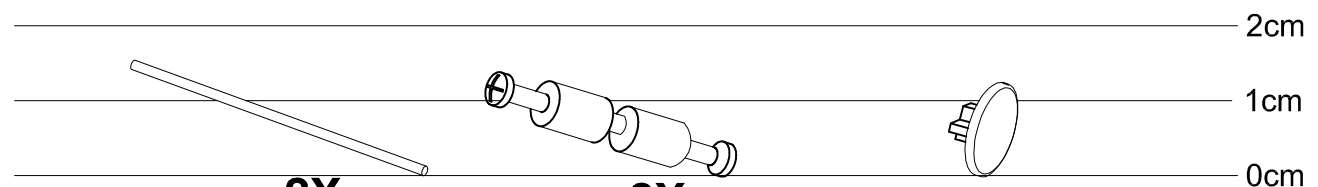
**10X**

**F**  
FLAT HEAD  
SCREW

**G**  
GLUE 10CC

**H**  
SMALL  
CAMLOCK

**I**  
FOOT



**2X**

**2X**  
M6.5

**12X**  
Dia 17mm

**J**  
METAL ROD

**K**  
DOUBLE END  
CAM BOLT

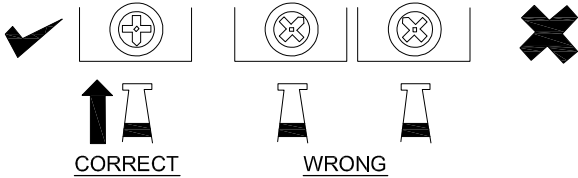
**L**  
UNIVERSAL CAP  
(OPTIONAL)

MODEL NAME:

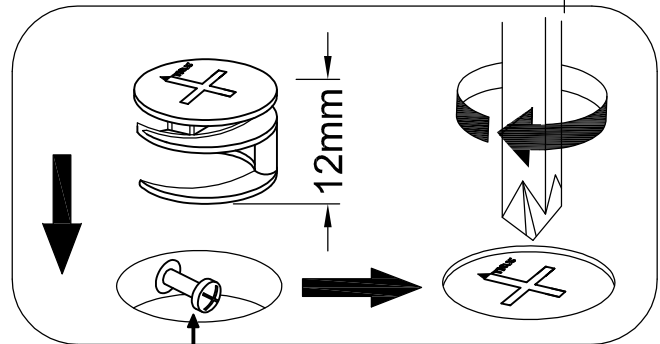
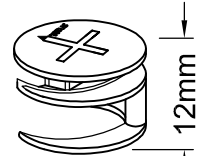
**WORKSPACE SOHO  
WORKSTATION**

## **SPECIAL TIPS FOR FITTING CAM-LOCKS AND CAM BOLT**

WHEN FITTING CAMLOCK  
ENSURE STARTING POSITION IS CORRECT  
BEFORE YOU INSERT CONNECTING QUICKFIT  
TURN CLOCKWISE UNTIL SECURE

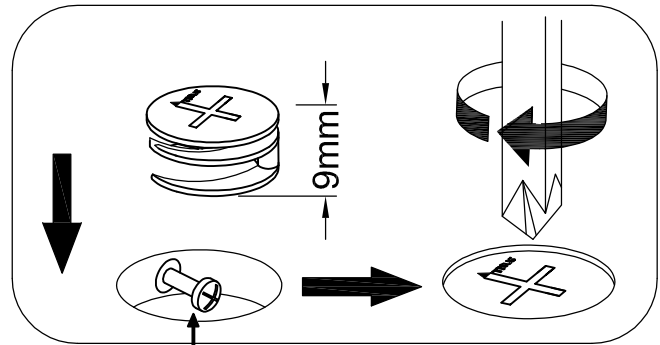
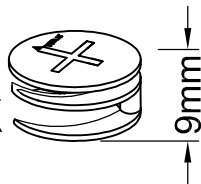


**LARGE  
CAM-LOCK**



**Quickfit head needs to be in centre**

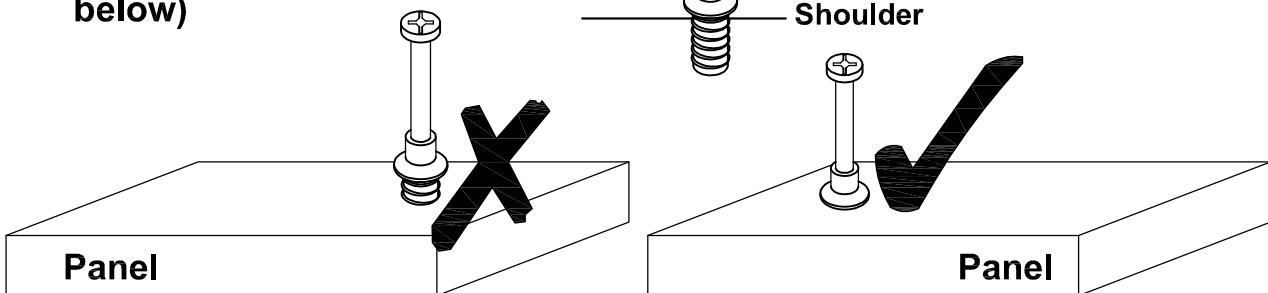
**DRAWER  
CAM-LOCK**



**Quickfit head needs to be in centre**

**QUICKFIT**

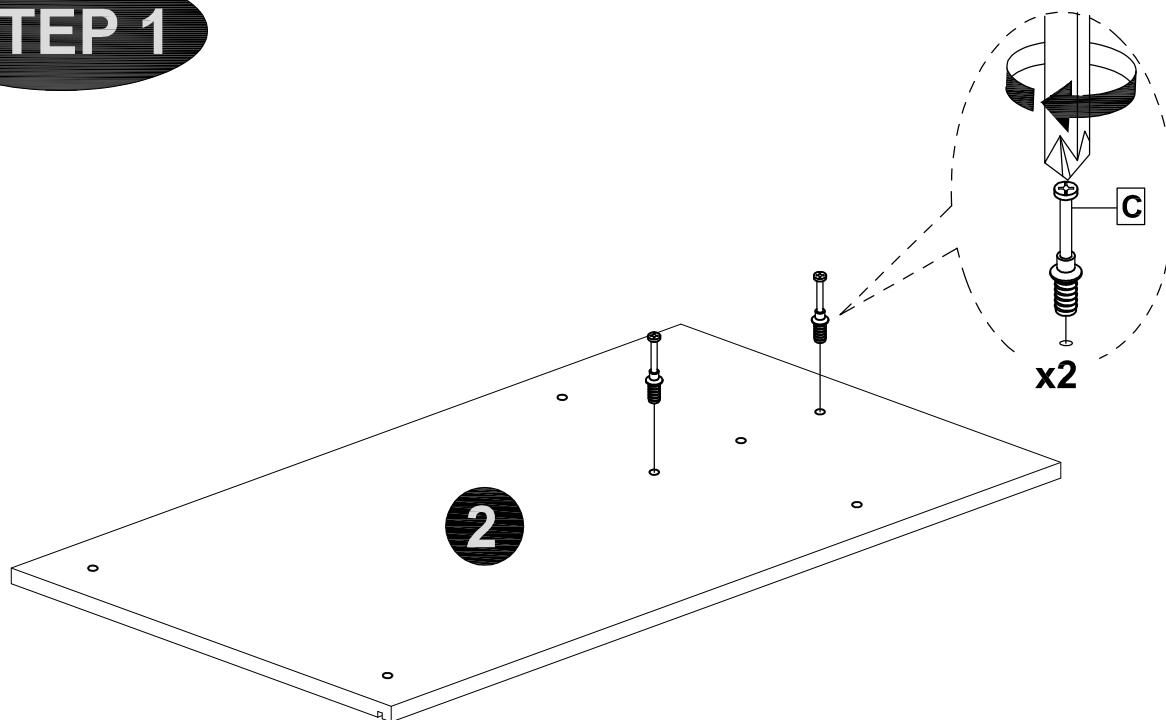
**Tighten until shoulder is flush  
with panel. Do not overtighten  
or undertighten (see example  
below)**



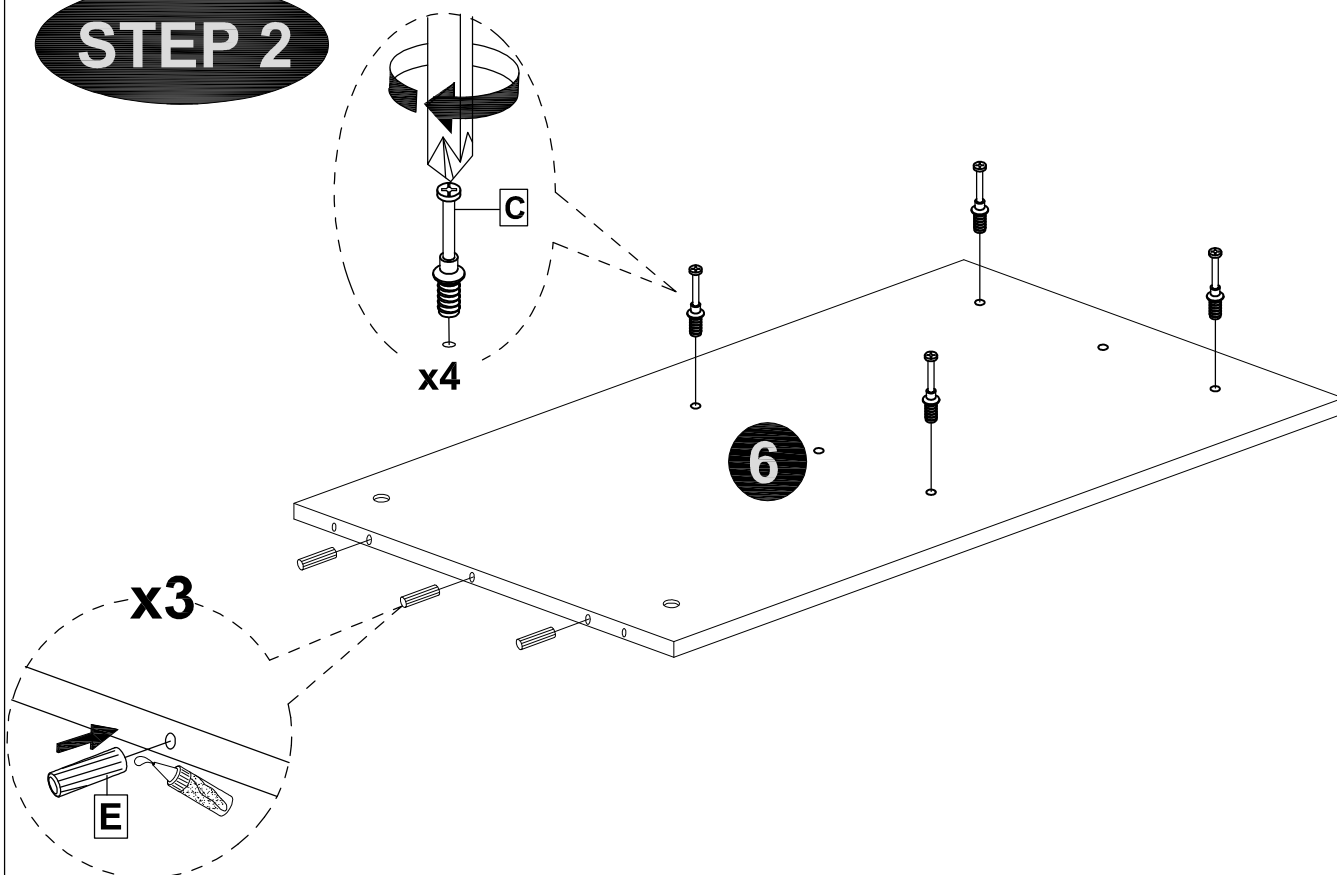
MODEL NAME:

# WORKSPACE SOHO WORKSTATION

## STEP 1



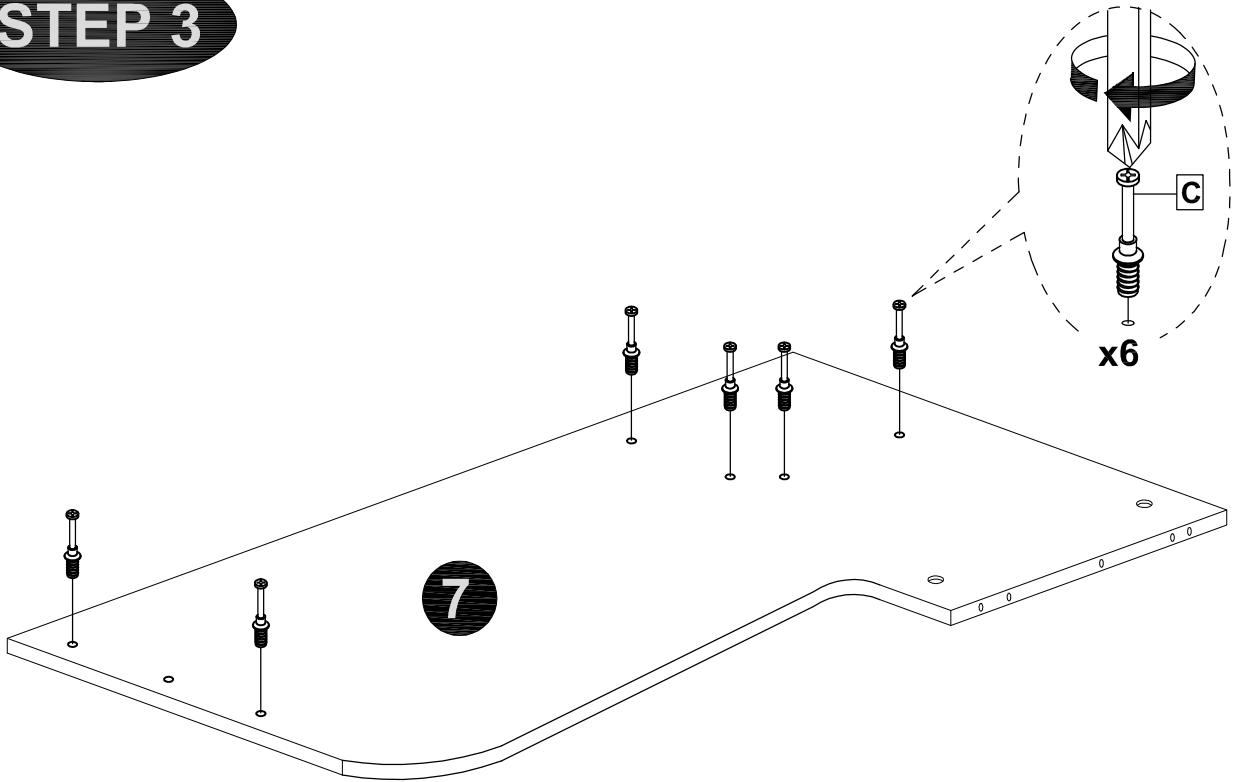
## STEP 2



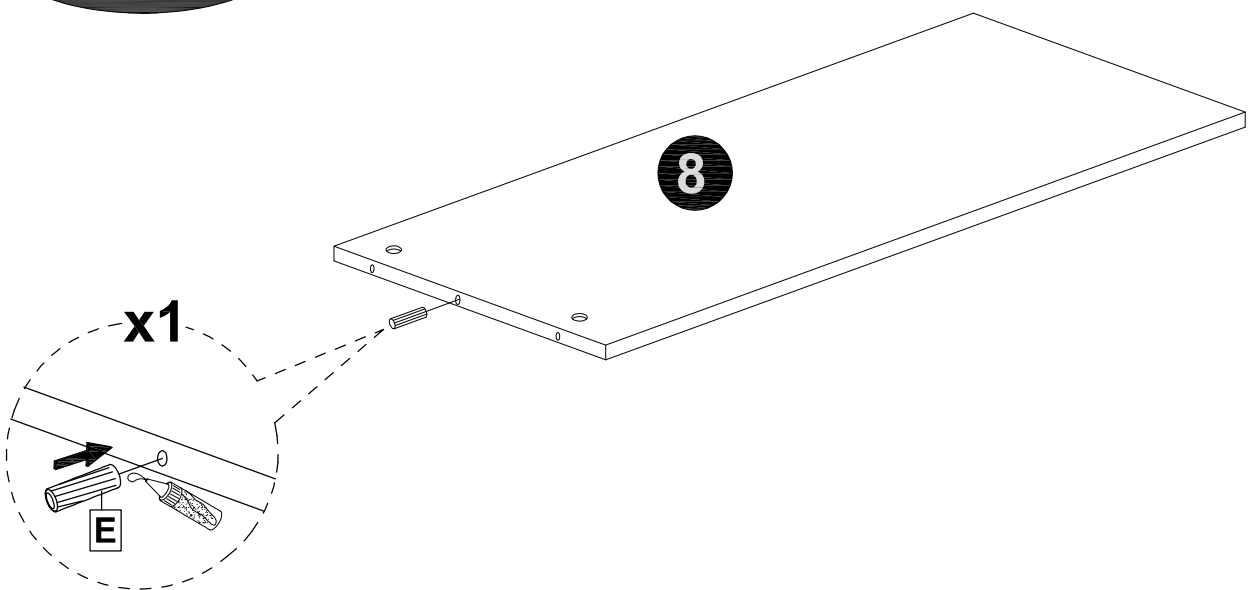
MODEL NAME:

**WORKSPACE SOHO  
WORKSTATION**

**STEP 3**



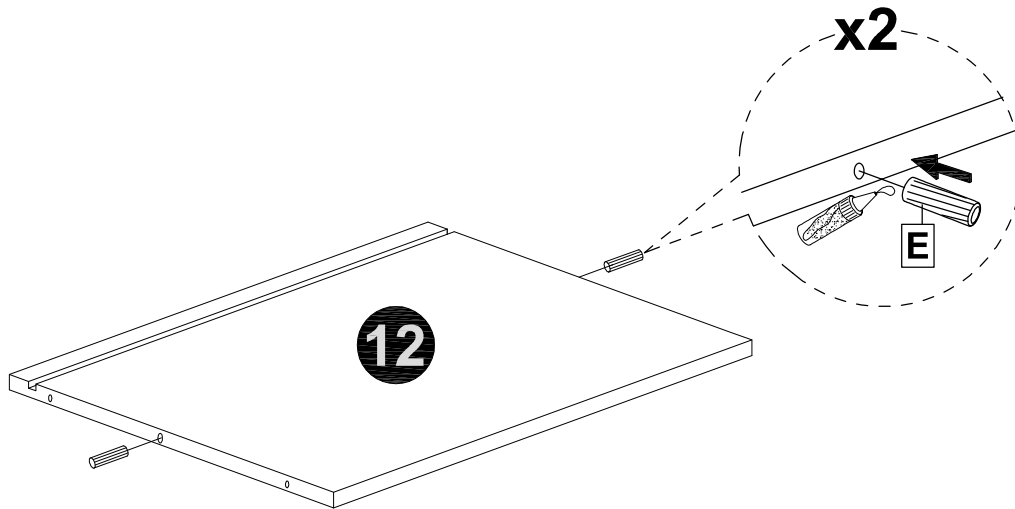
**STEP 4**



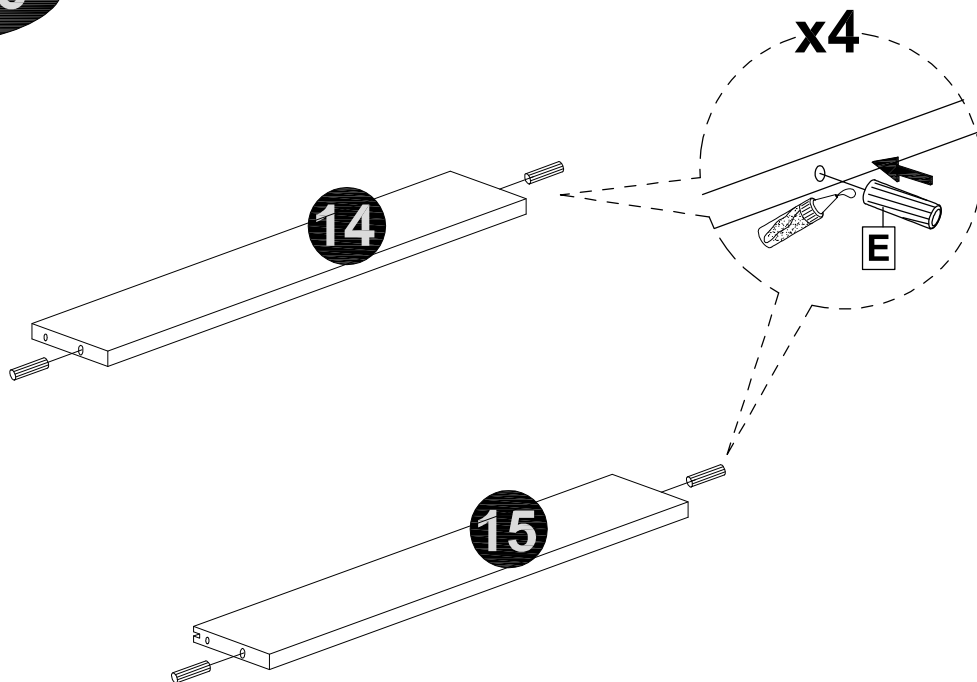
MODEL NAME:

WORKSPACE SOHO  
WORKSTATION

**STEP 5**



**STEP 6**

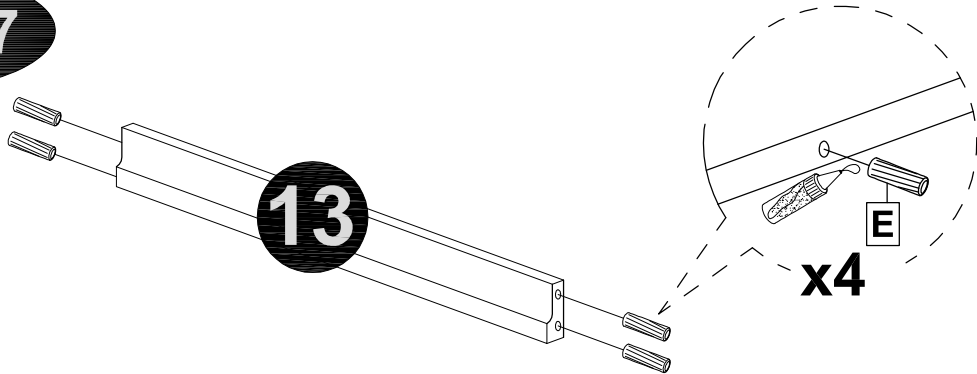




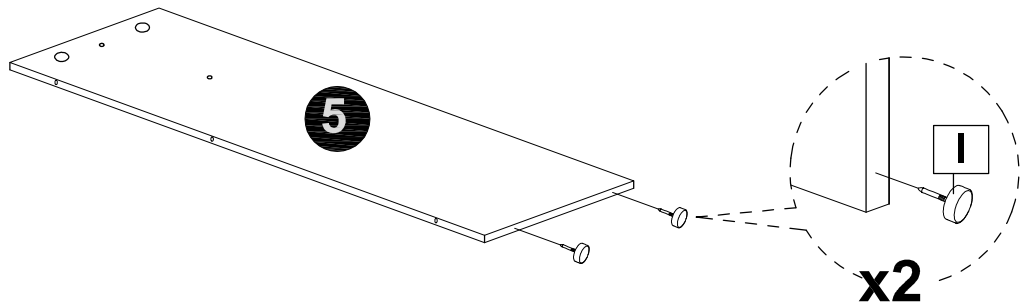
MODEL NAME:

**WORKSPACE SOHO  
WORKSTATION**

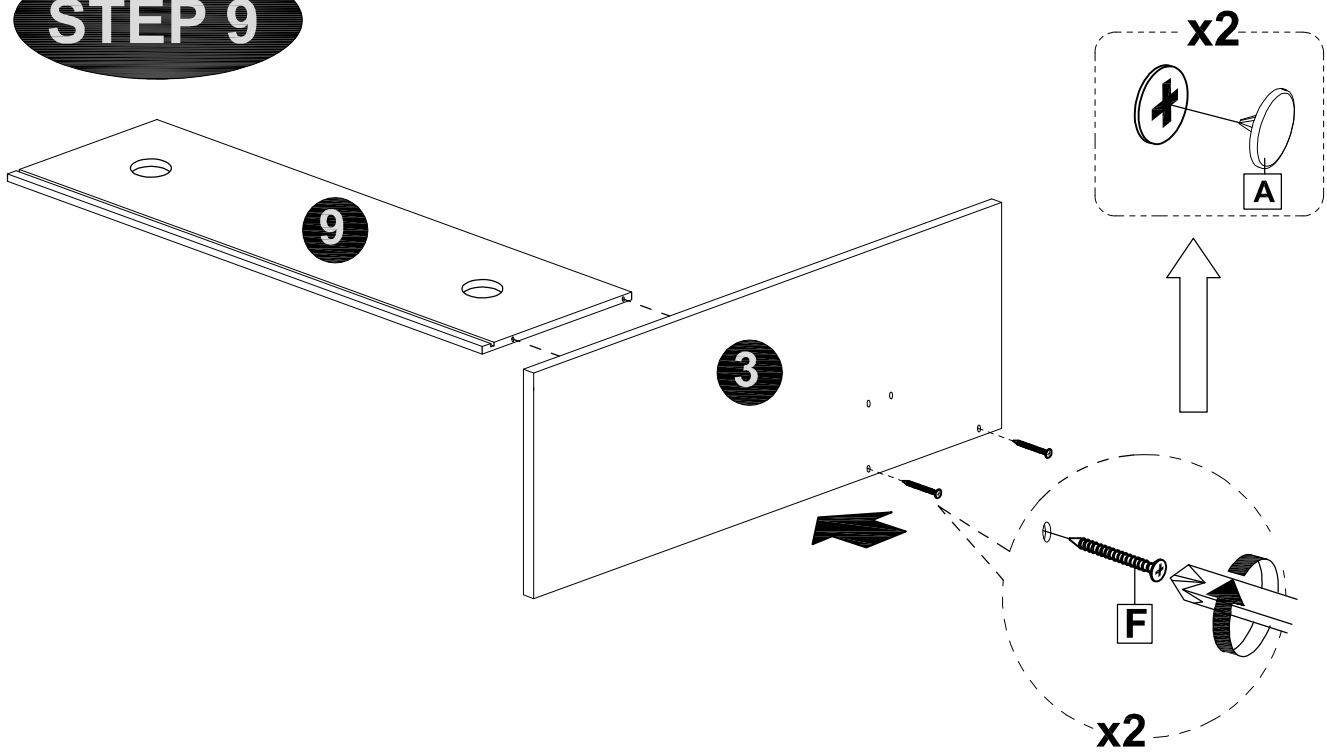
**STEP 7**



**STEP 8**



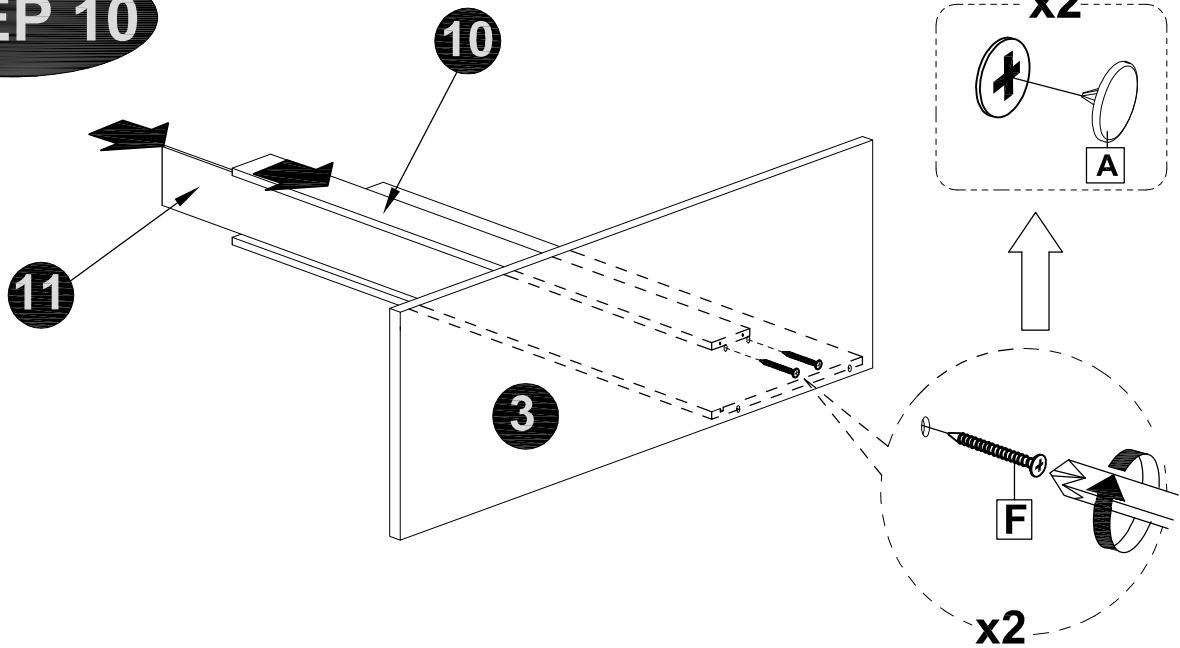
**STEP 9**



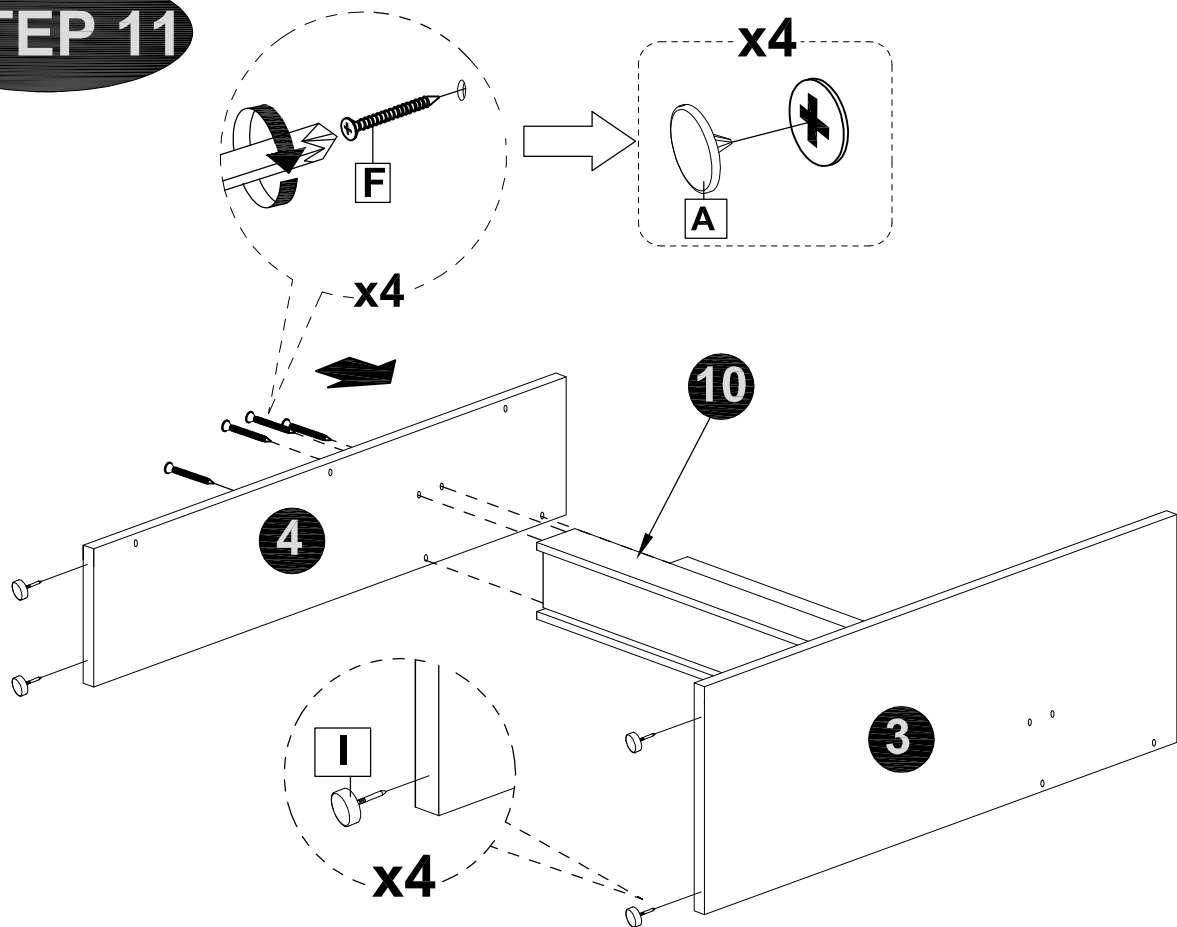
MODEL NAME:

# WORKSPACE SOHO WORKSTATION

## STEP 10

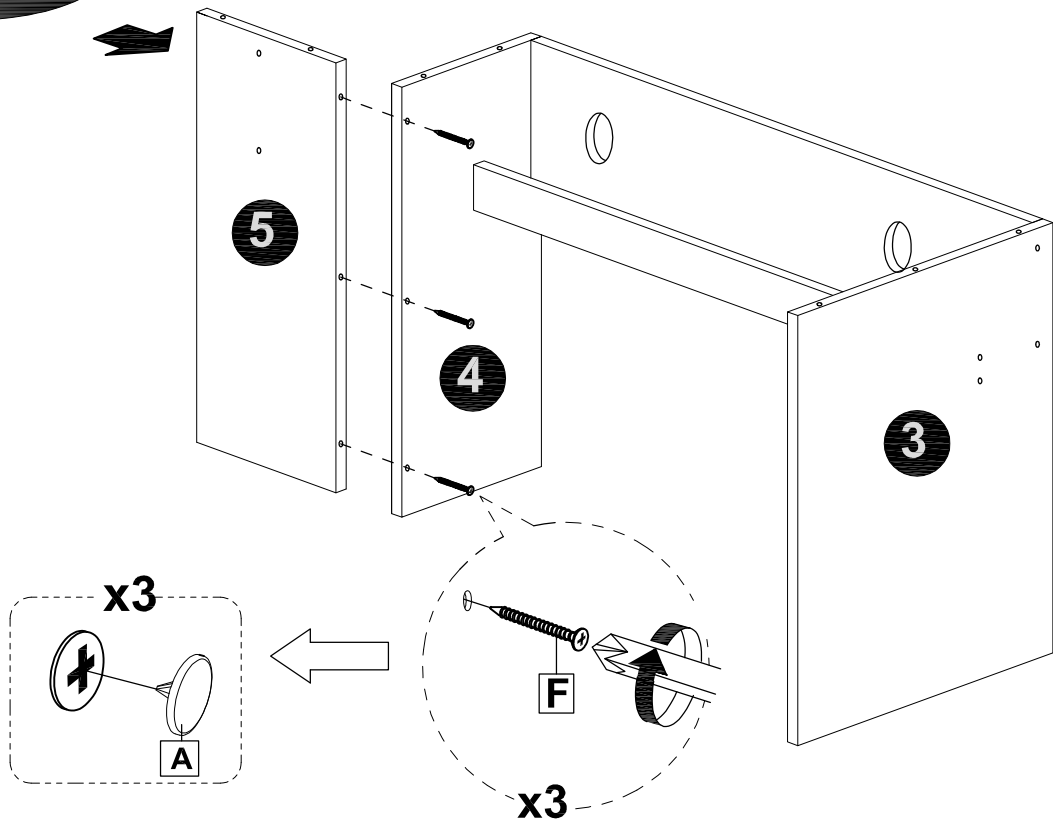


## STEP 11

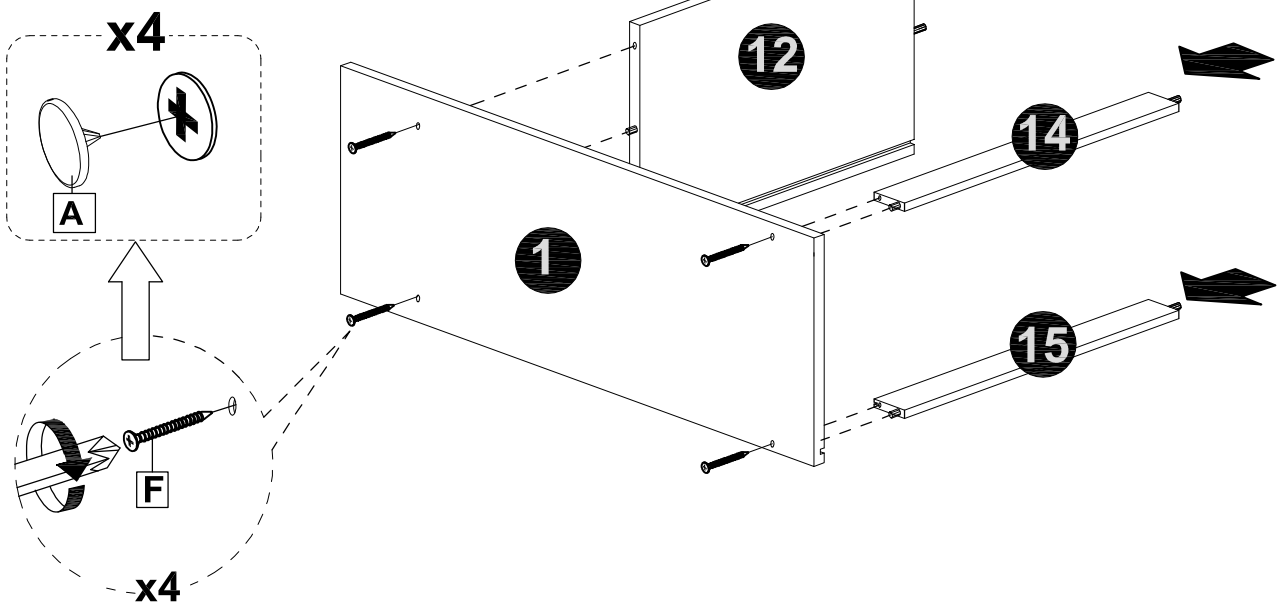


MODEL NAME: **WORKSPACE SOHO  
WORKSTATION**

**STEP 12**



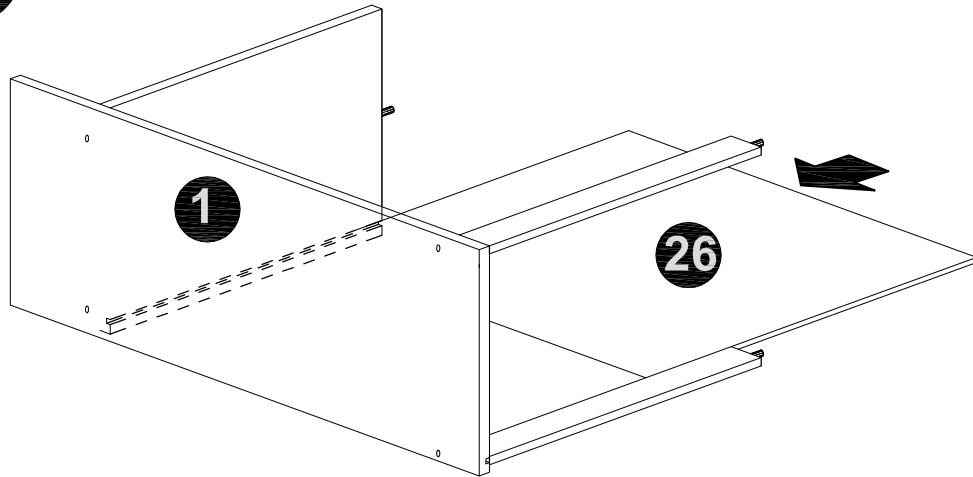
**STEP 13**



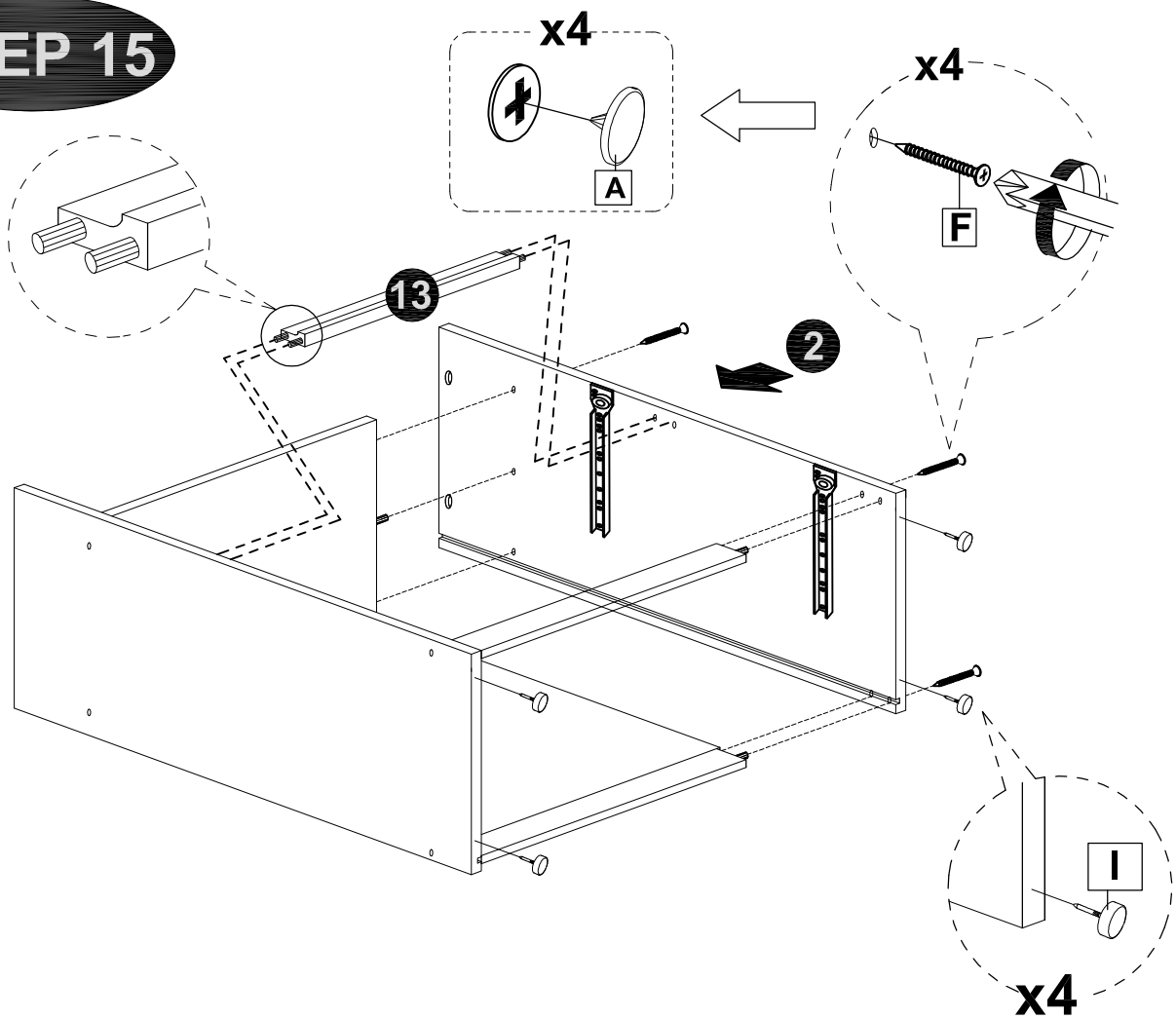
MODEL NAME:

**WORKSPACE SOHO  
WORKSTATION**

**STEP 14**



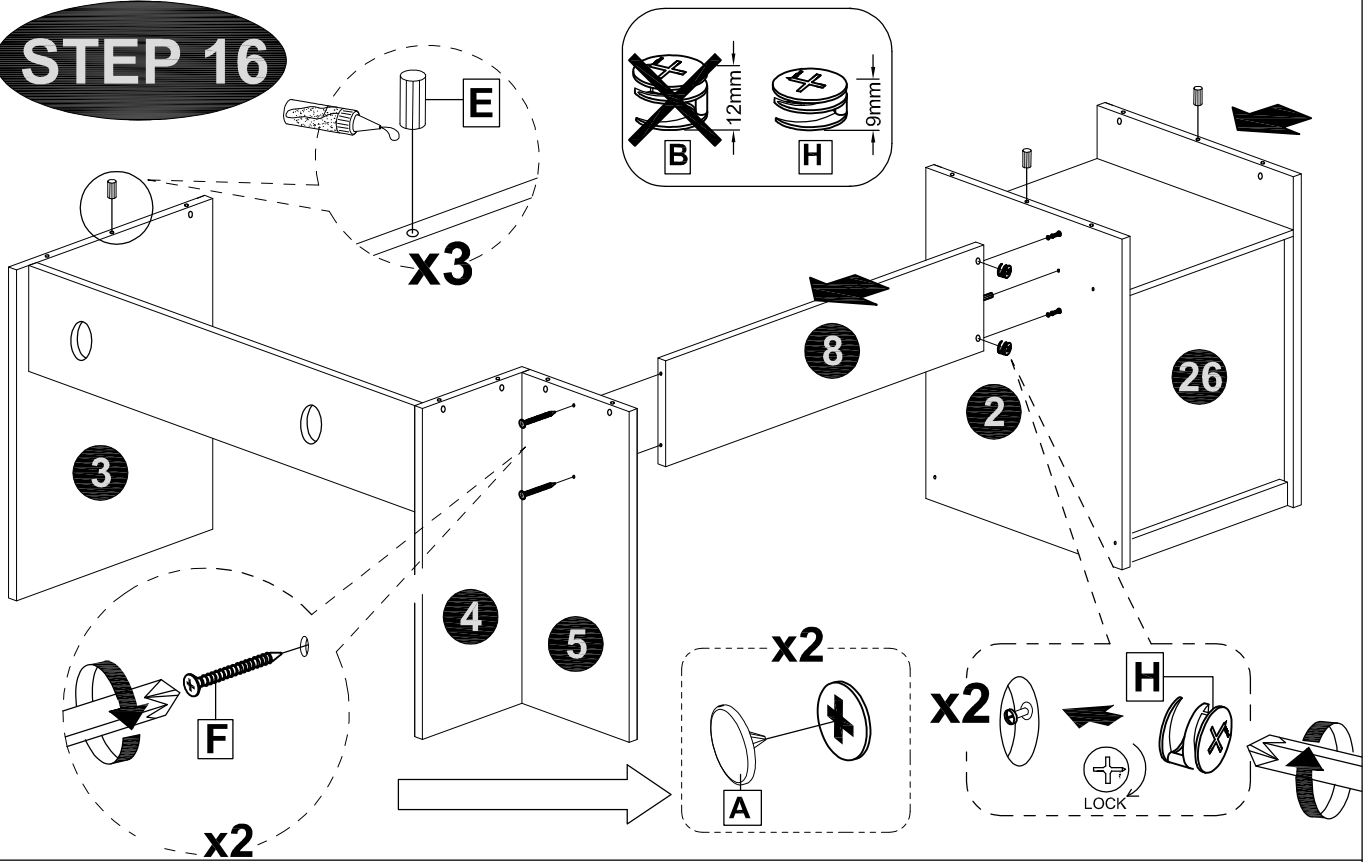
**STEP 15**



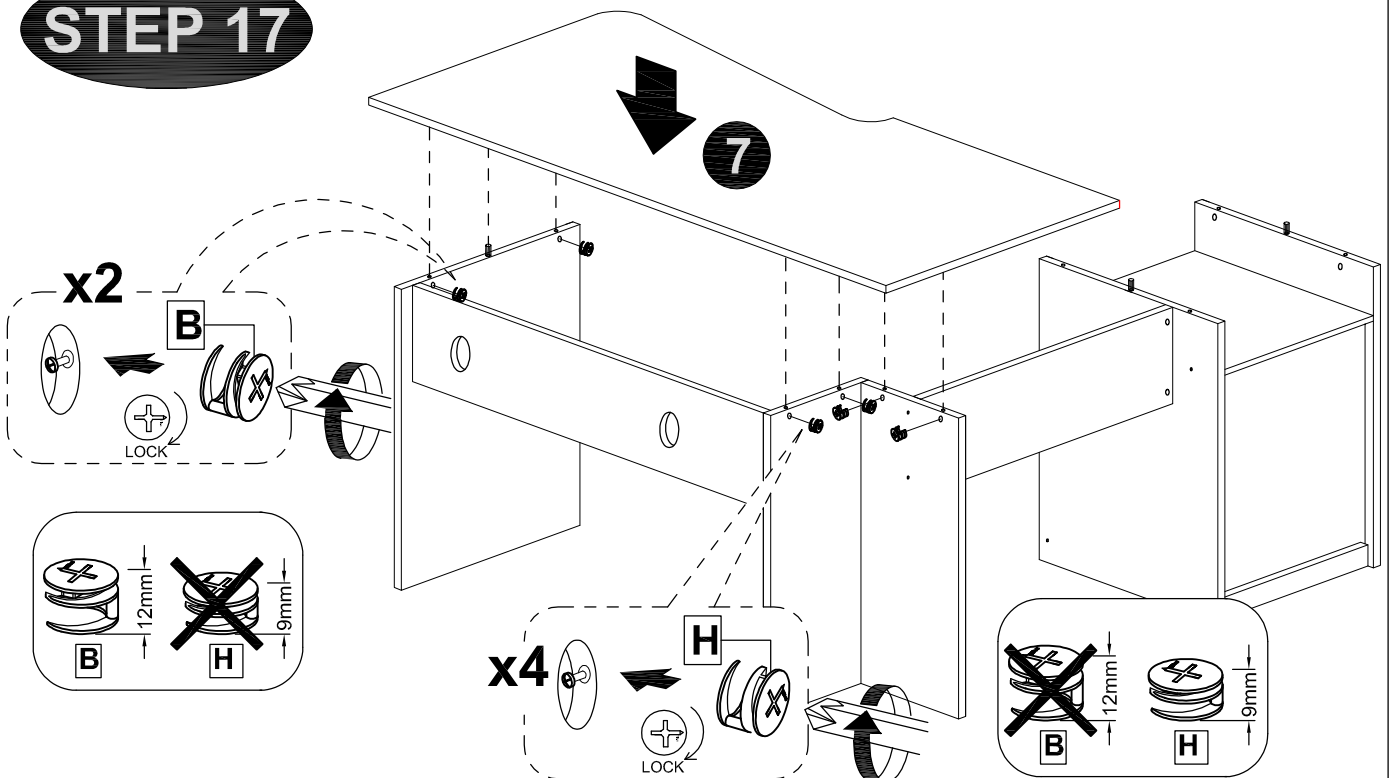
MODEL NAME:

# WORKSPACE SOHO WORKSTATION

## STEP 16



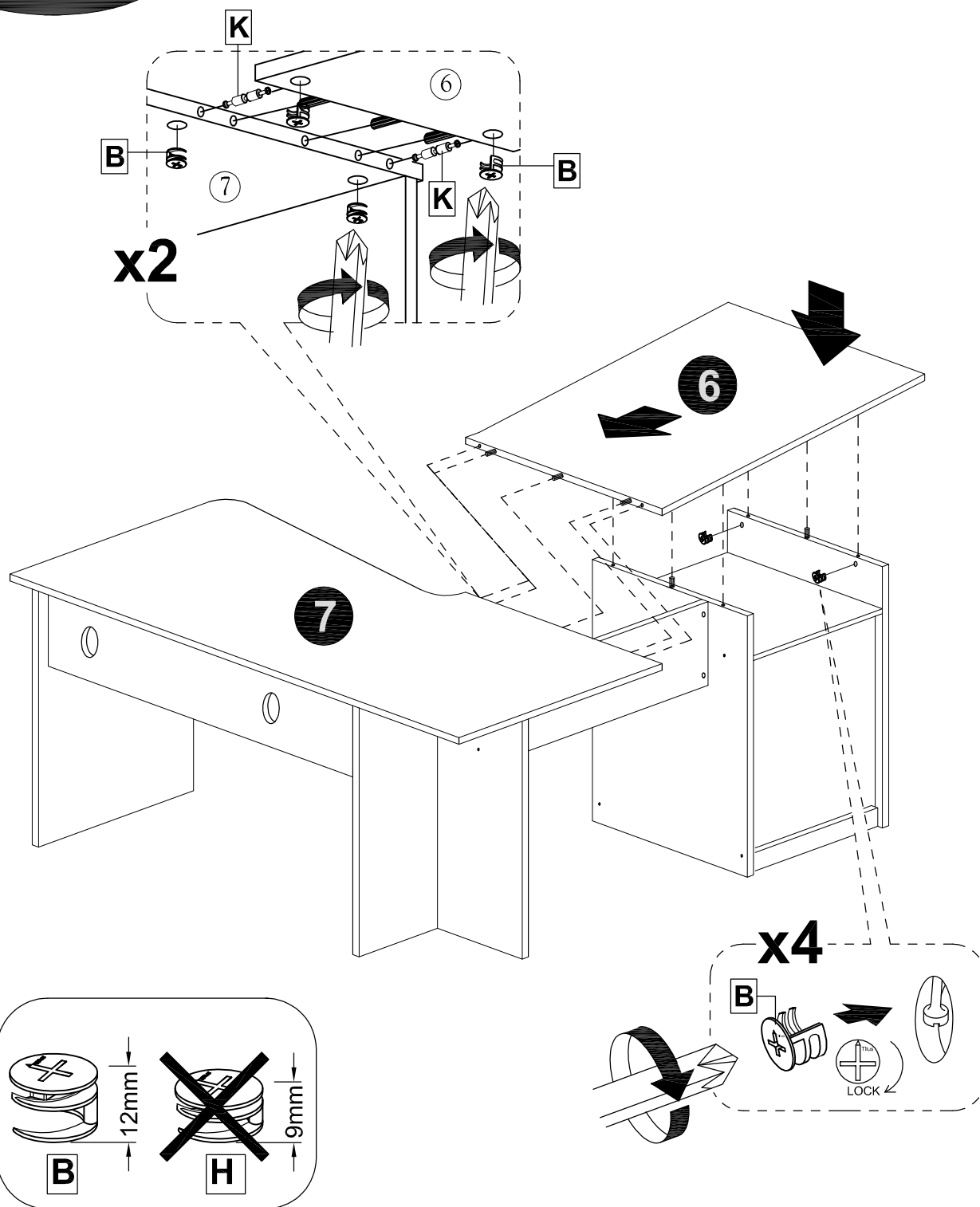
## STEP 17



MODEL NAME:

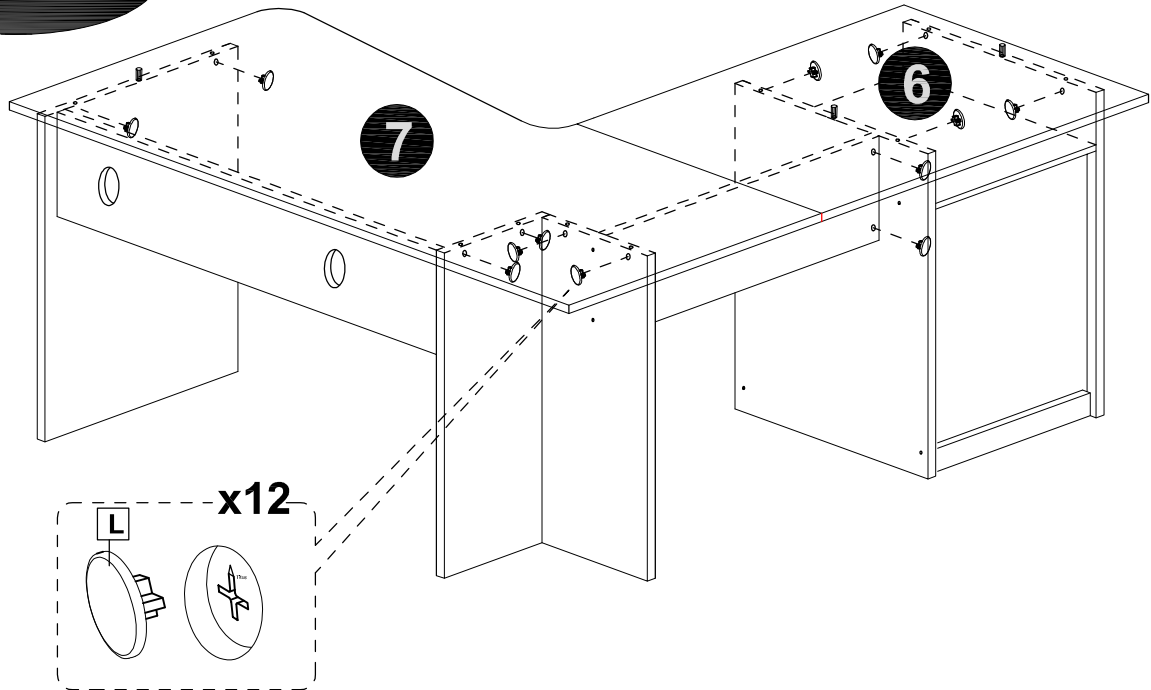
# WORKSPACE SOHO WORKSTATION

## STEP 18

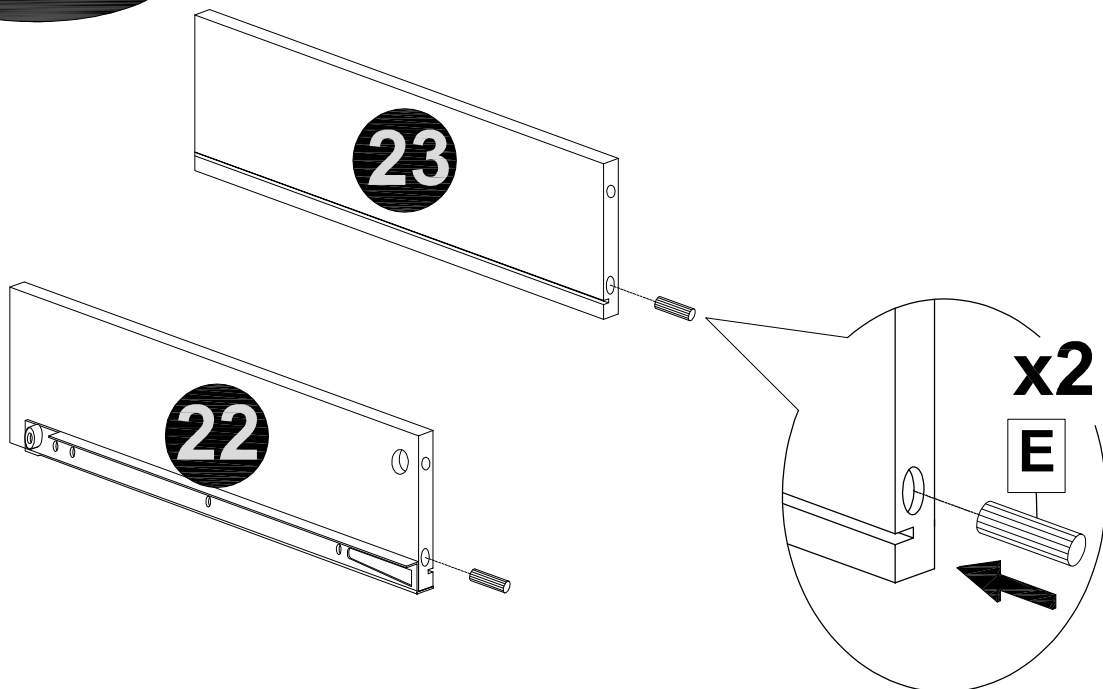


**MODEL NAME: WORKSPACE SOHO WORKSTATION**

**STEP 19**



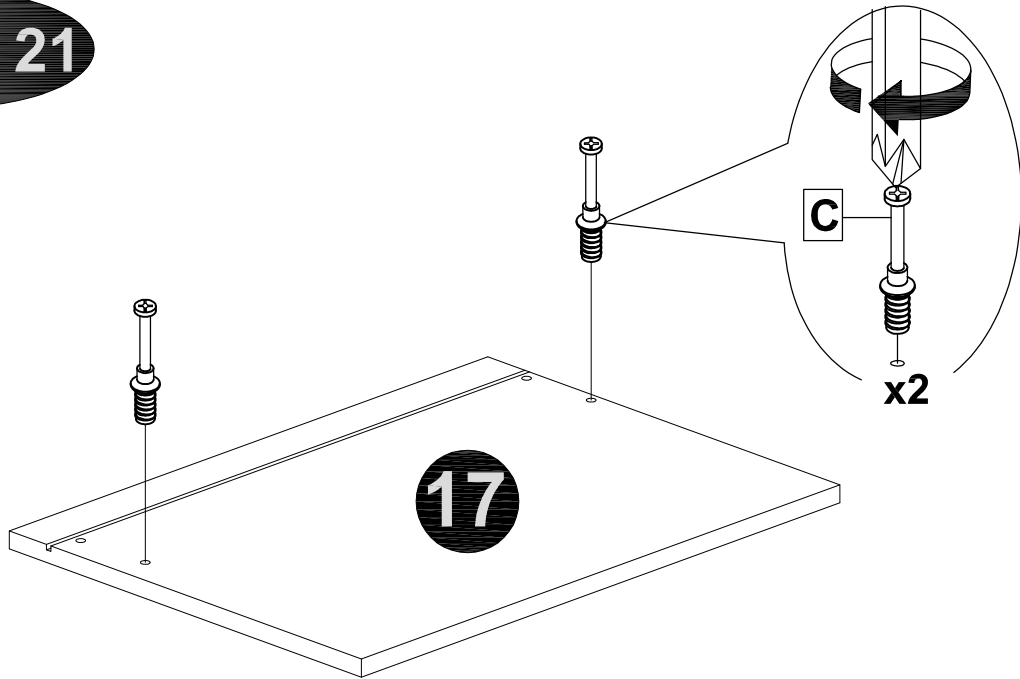
**STEP 20**



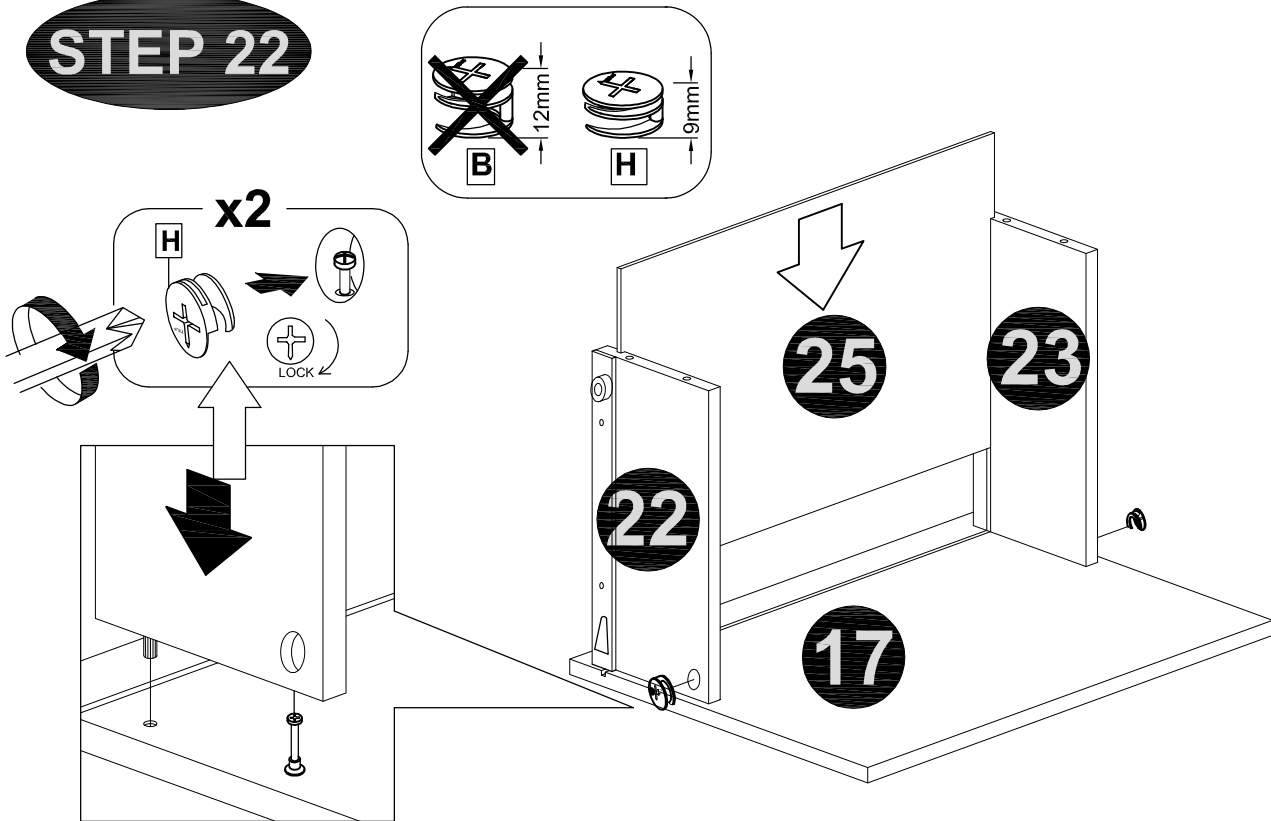
MODEL NAME:

WORKSPACE SOHO  
WORKSTATION

**STEP 21**



**STEP 22**

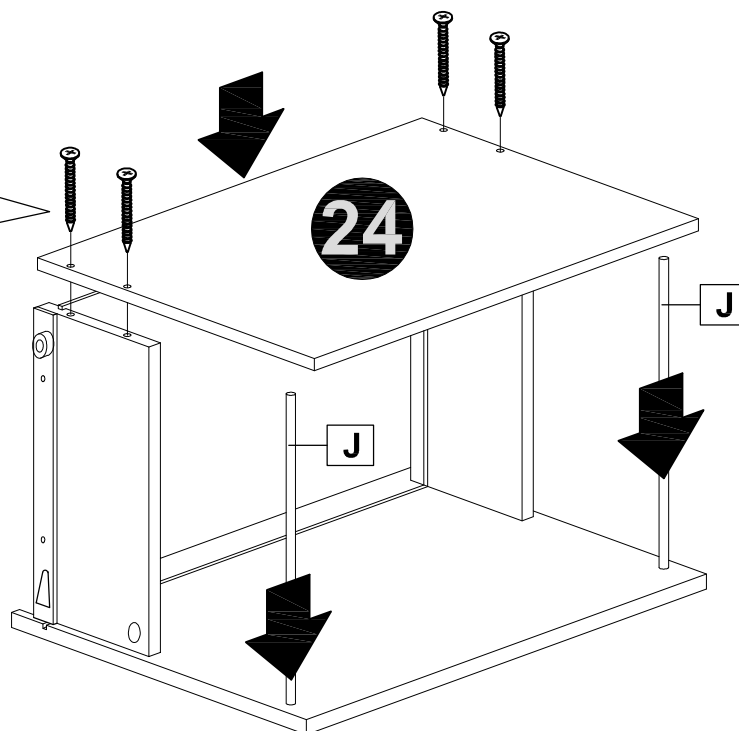
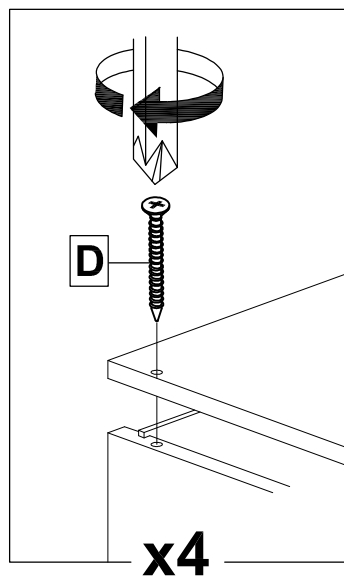




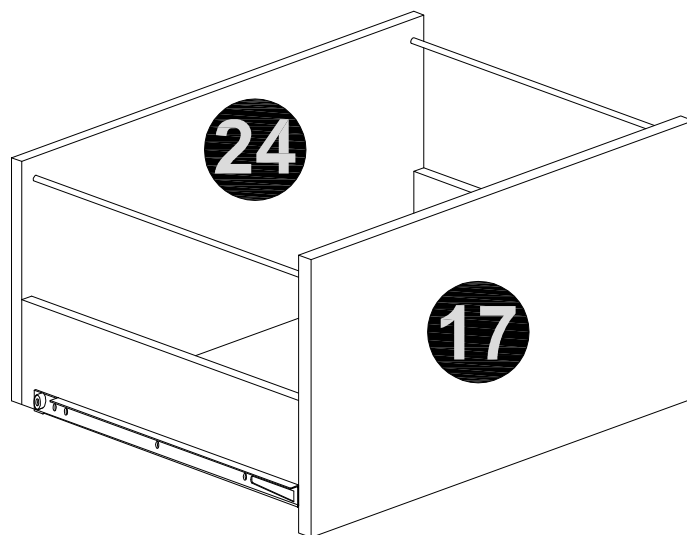
MODEL NAME:

WORKSPACE SOHO  
WORKSTATION

**STEP 23**



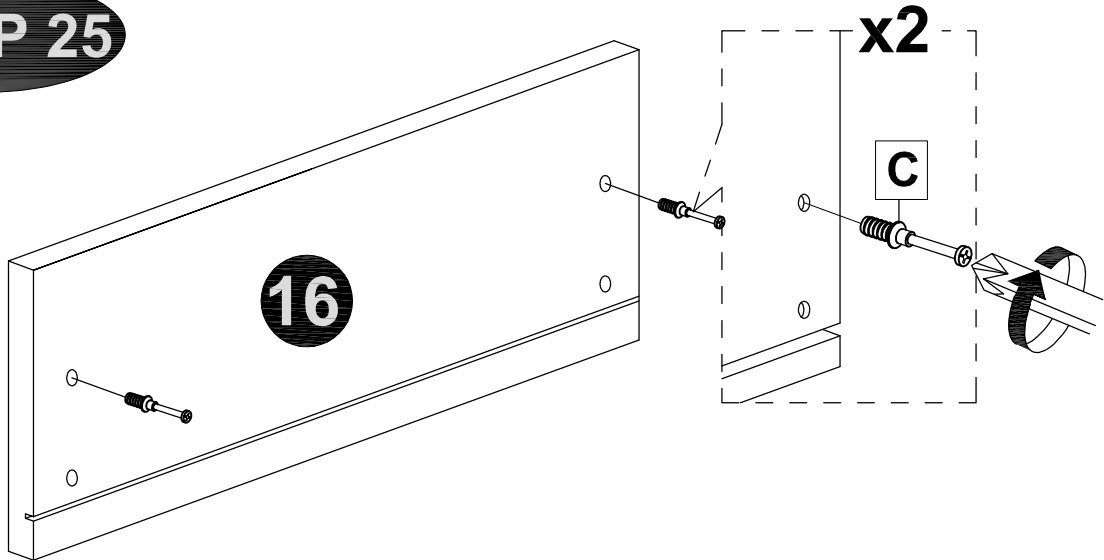
**STEP 24**



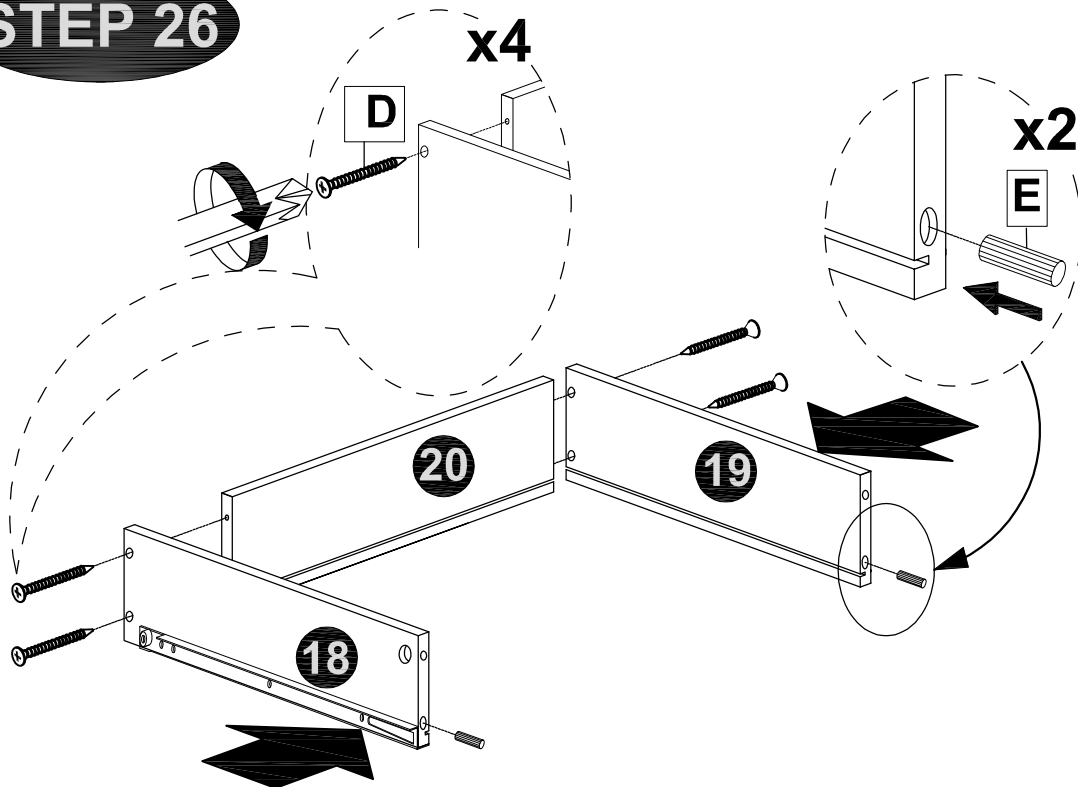
MODEL NAME:

**WORKSPACE SOHO  
WORKSTATION**

**STEP 25**

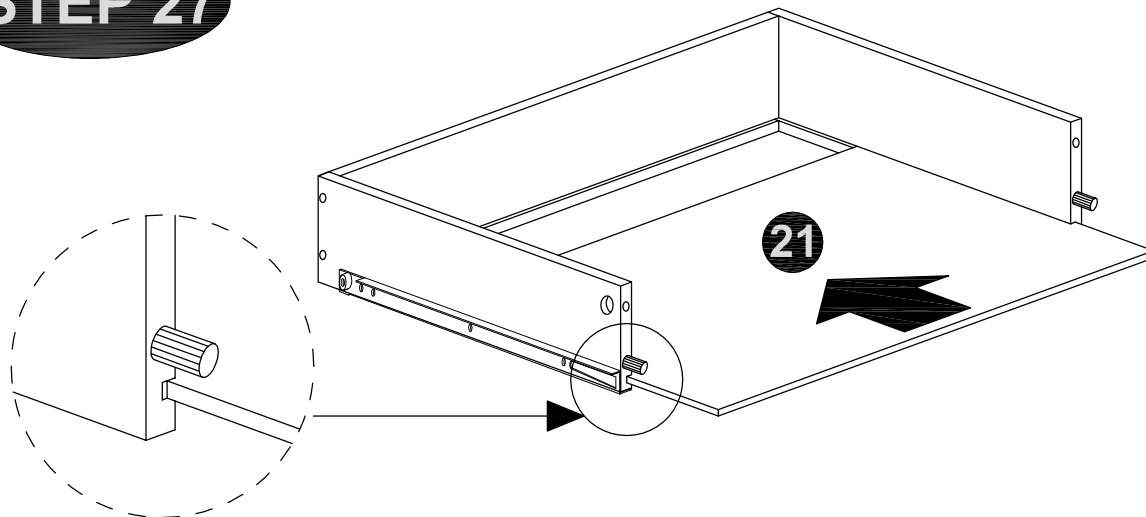


**STEP 26**

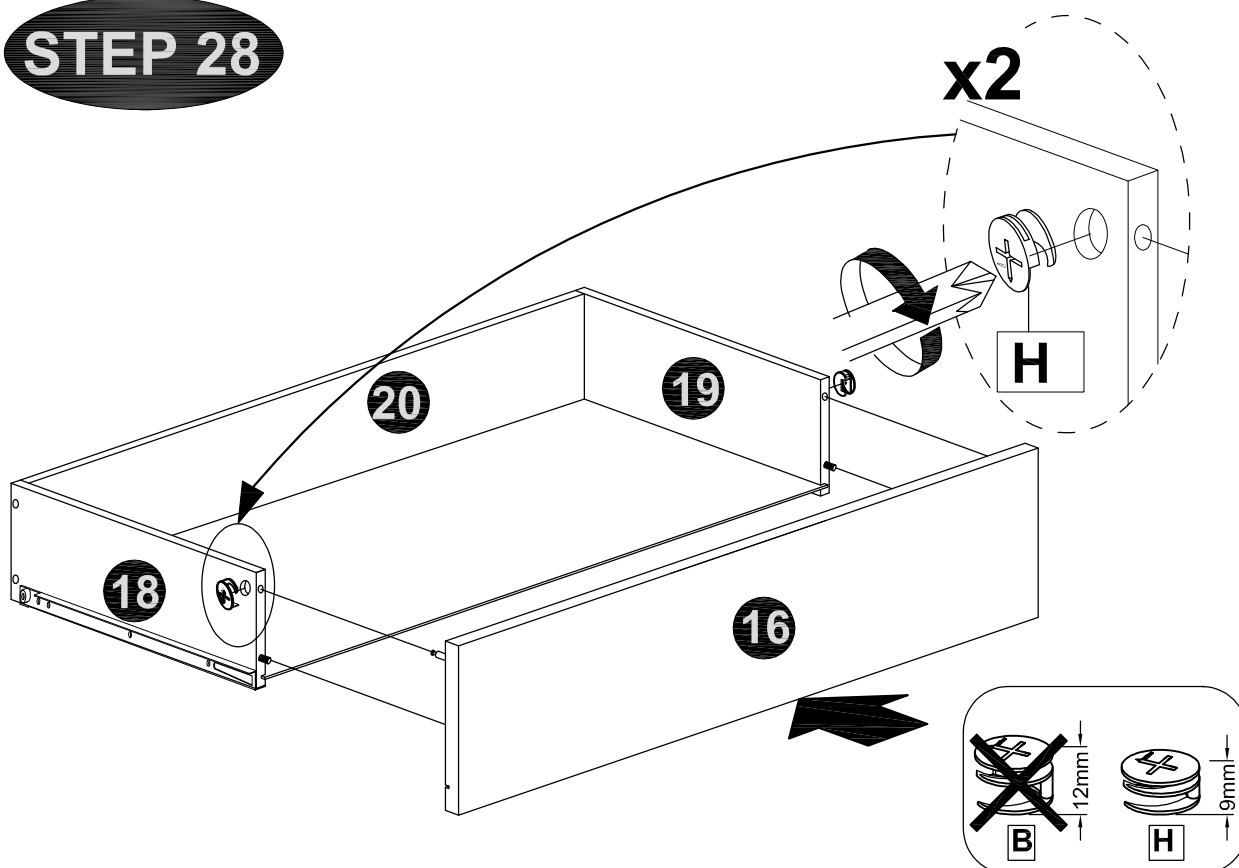


MODEL NAME: **WORKSPACE SOHO  
WORKSTATION**

**STEP 27**

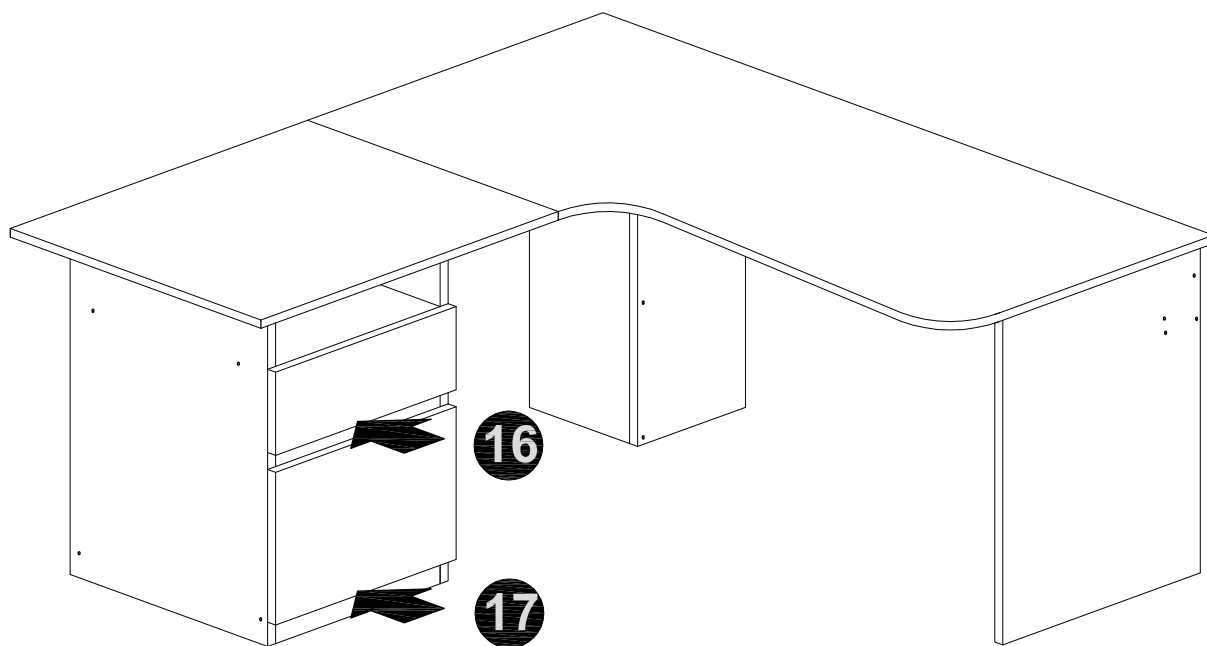


**STEP 28**



**MODEL NAME: WORKSPACE SOHO  
WORKSTATION**

**STEP 29**



**STEP 30**

