


BAILEY CHAIR



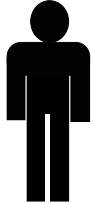

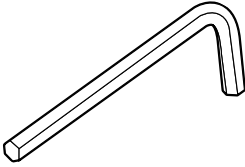
INSTRUCTION MANUAL

The Maximum Weight for this product is 120 kgs

AFTER SALES SUPPORT

 (NZ) 0800 222 246

Assembly Details

<p>10 MIN</p> <p>APPROXIMATE ASSEMBLY</p>	<p>1 PERSON ASSEMBLY</p> 	<p>FLOOR AREA 1.5Mx1.5M</p>  <p>REQUIRED ASSEMBLY SPACE</p>
 <p>allen key</p>		

Tips before you start

- 1 For the protection of your furniture, we recommend that the product is placed on a protected surface during assembly to prevent any damage
- 2 Please check that all parts are present before you start the assembly of your furniture.
- 3 For ease and speed of assembly, we recommend that you identify all the parts required for each step before commencing with assembly.
- 4 For larger items, please ensure that you have sufficient space and people (as indicated on page 1) to assemble your product safely.
- 5 We recommend that, where possible, all items are assembled near to the area in which they will be placed in use, to avoid moving the product unnecessarily.
- 6 During assembly please take care not to over-tighten hardware, as this may damage the product. Do not use power tools.
- 7 Always place the product on a steady and stable surface.
- 8 Do not stand on the product. Do not use the product as a stepladder.
- 9 This product is intended for indoor, household use only as it is a non-industrial product.
- 10 Please use caution and care when lifting the product to avoid personal injury and/or product damage.

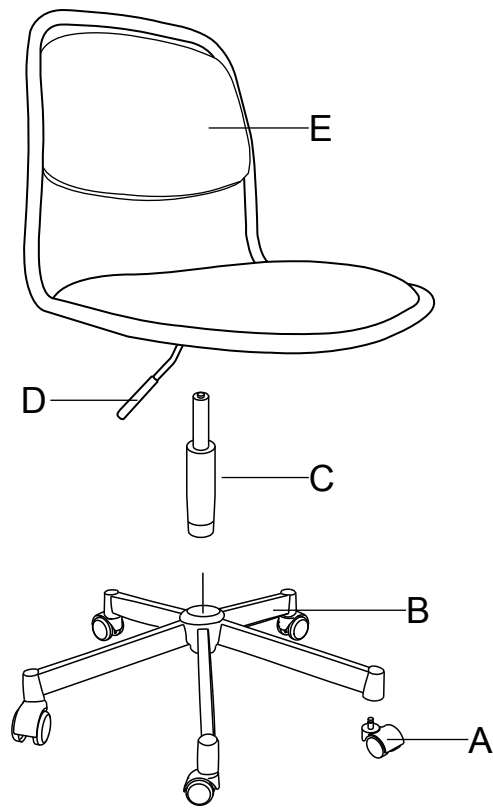
Care and maintenance


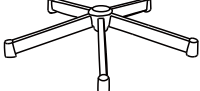

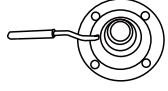

- ✓ Please periodically check all things and re-tighten as necessary.
- ✓ Wipe clean with a damp cloth, or shampoo using upholstery shampoo.
- ✓ The castors should be kept clear of threads or other objects that would inhibit their movement
- ✓ Vacuum regularly. Protect from direct sunlight.
- ✓ Please do not place hot items (eg.Hot drinks) directly on to the surface.
- ✓ Please do not drag and pull your furniture.



Seating posture

- ✓ We recommend computer users adopt an open-angle sitting position with knees slightly lower than hips.
- ✓ Always sit near the back of your seat.
- ✓ Adjust your backrest angle and seat height to a position that allows you to sit close to your workstation.
- ✓ Your feet should be flat on the floor or on a footrest. There should be no pressure under your thighs.

Part Name

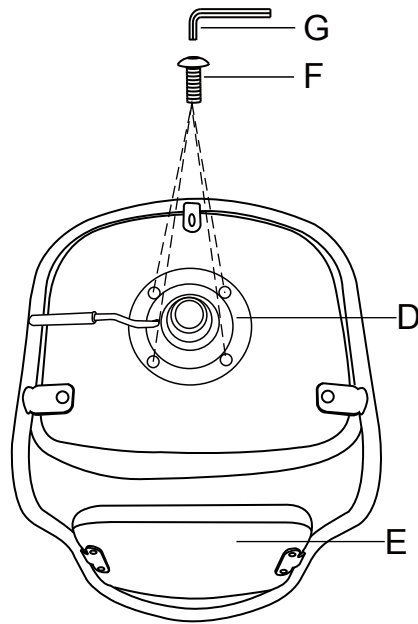


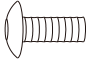

A  5PCS	B  1PC
C  1PC	D  1PC
E  1PC	

F M6×20mm  4PCS	G M5  1PC
--	--

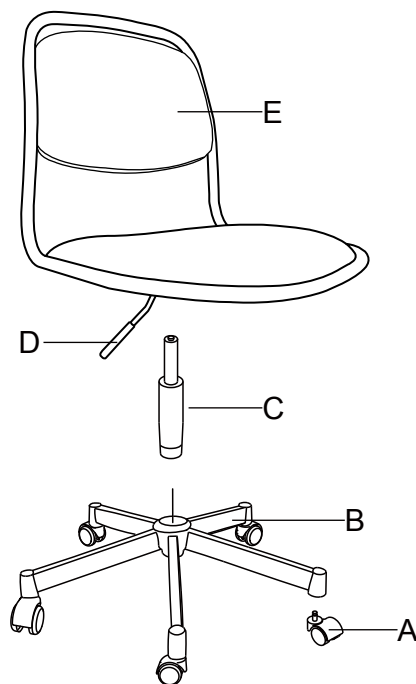
Assembly

1.



F M6×20mm  4 PCS	G M5  1 PC
--	--

2.



Assembly

3.





**WORK
SPACE**®

Warranty

We pride ourselves on producing a range of quality products that are both packed with features and completely reliable. We are so confident in our products, we back them up with a two year warranty. Now you too can relax knowing that you are covered.

Customer Helpline NZ: 0800 222 246
This product is covered by two year warranty
when accompanied by proof of purchase.