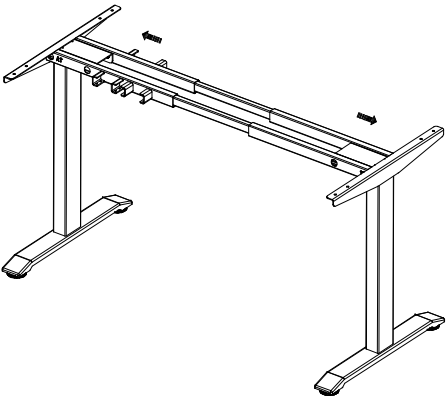




Fixed Height Adjustable Straight Metal Frame

ASSEMBLY & USE INSTRUCTIONS

Specification



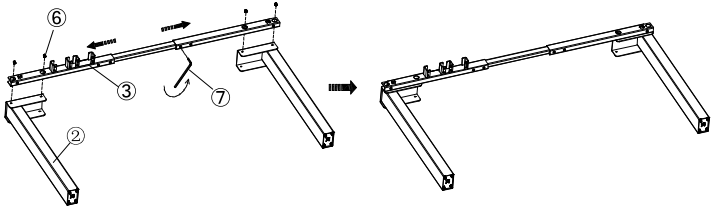
Frame adjustable range: 1064mm~1800mm

Packing list

NO.	Accessoires	NO.	Accessoires	NO.	Accessoires	NO.	Accessoires
①	× 2	③	× 1	⑤	M6×16 × 8	⑦	4mm × 1
②	× 2	④	× 2	⑥	M6×10 × 20	⑧	× 1

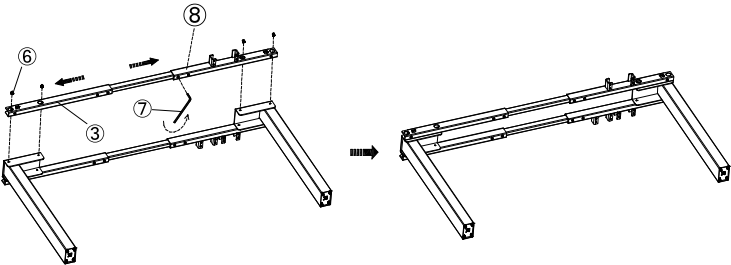
Step1:

⑦	4mm × 1
⑥	M6×10 × 4
②	× 2
③	× 1



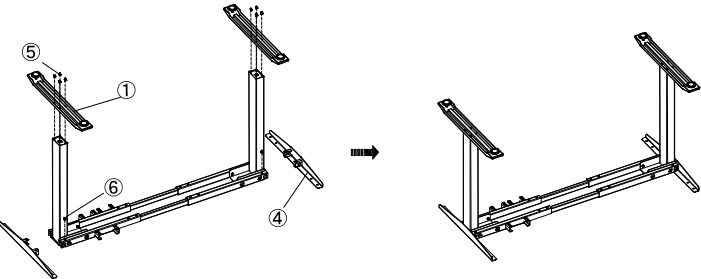
Step2:

⑦	4mm × 1
⑥	M6×10 × 4
⑧	× 1



Step3:

⑦	4mm × 1
⑥	M6×10 × 4
④	× 2
⑤	M6×16 × 8
①	× 2



Step4:

⑦	4mm × 1
⑥	M6×10 × 8

