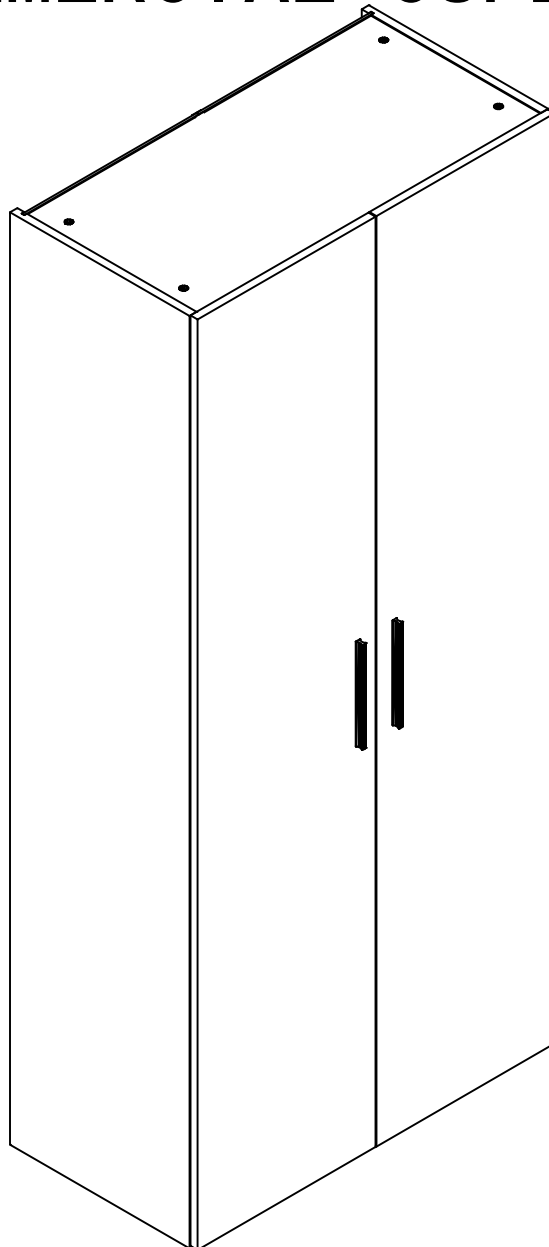




COMMERCIAL CUPBOARD



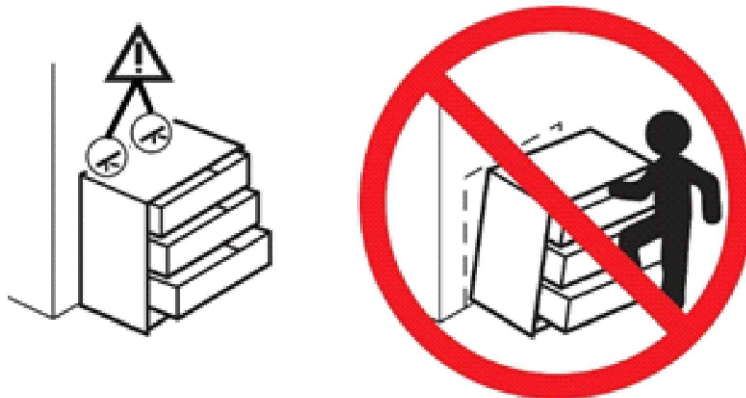
INSTRUCTION MANUAL

The Maximum Weight this product can hold up to 35 kgs

AFTER SALES SUPPORT

 **NZ** 0800 422 274

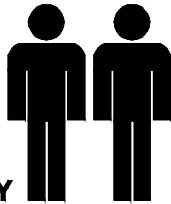
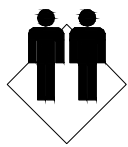
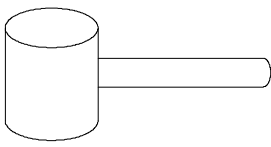
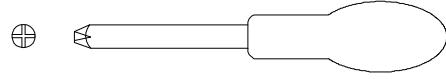
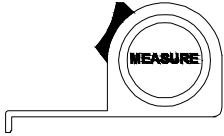
Important Safety Instructions



Serious or fatal crushing injuries can occur from furniture tip-over. Use of tip-over restraints may only reduce but not eliminate the risk of tip-over. To help prevent tip-over:

- Place heaviest items in the bottom drawers.
- Unless specifically designed to accommodate, do not set TVs or other heavy objects on top of this product.
- Never allow children to climb or hang on drawers, doors or shelves.
- Never open more than one drawer at a time.

Assembly Details

<p>1 hr</p> <p>APPROXIMATE ASSEMBLY TIME</p>	<p>2 PERSONS OF ASSEMBLY</p> 	<p>FLOOR AREA 2M X 2.5M</p>  <p>REQUIRED ASSEMBLY SPACE</p>
<p>REQUIRED ASSEMBLY TOOLS</p>   		

Tips before you start

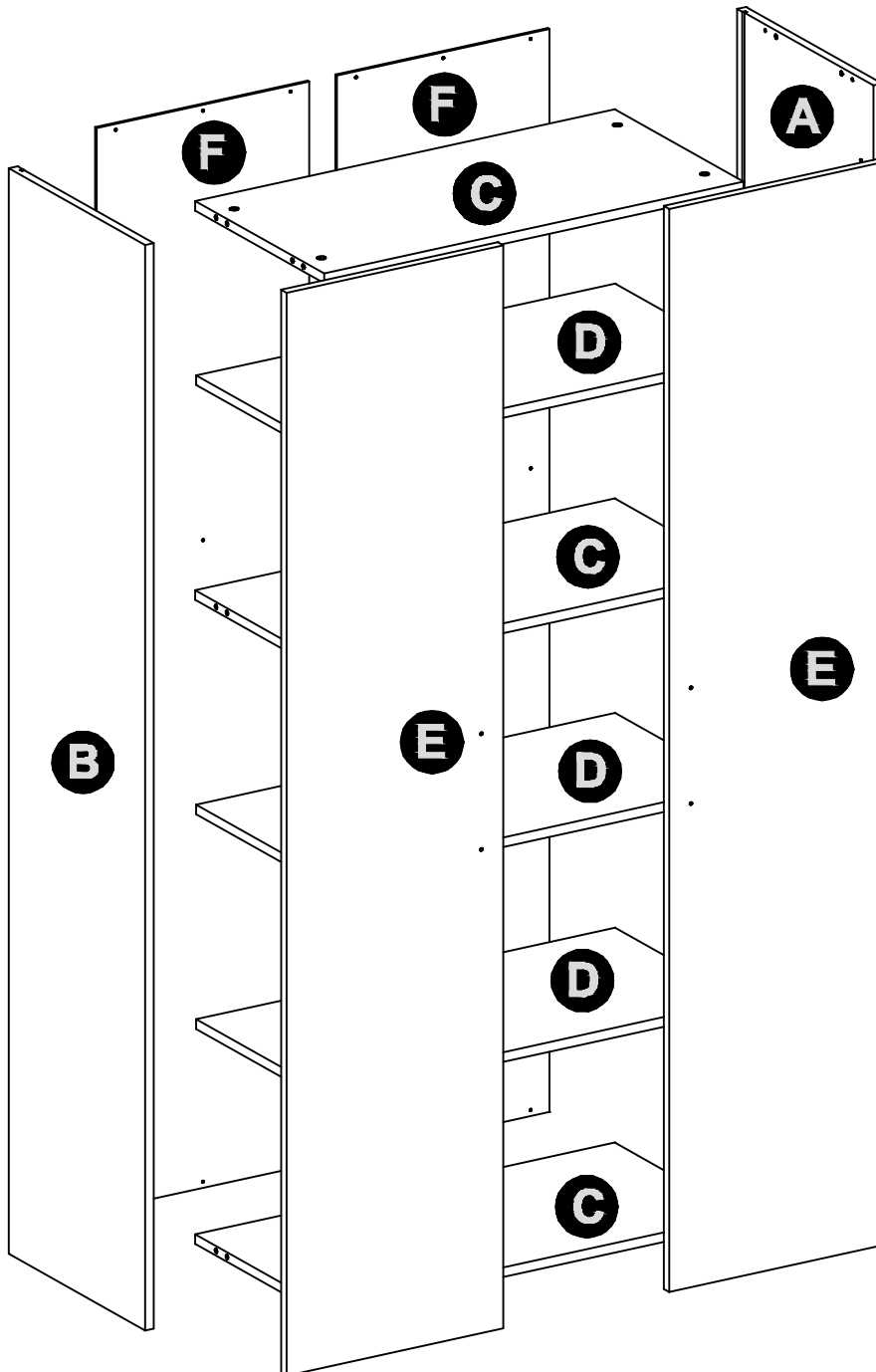
1. Please check that all parts are present before you start the assembly of your furniture.
2. For ease and speed of assembly, we recommend that before you commence each step of the assembly, that you identify all the parts required for that step.
3. For larger items, please ensure that you have sufficient space and people (as indicated on page 1) to assemble your product safely.
4. We recommend that, where possible, all items are assembled near to the area in which
5. they will be placed in use, to avoid moving the product unnecessarily once assembled.
6. For the protection of your furniture, we recommend that the product is placed on a protected surface during assembly to prevent any damage.
7. During assembly please take care not to over-tighten any fittings, as this may damage the product. Do not use power tools.
8. Always place the product on a flat, steady and stable surface.
9. Do not stand on the product. Do not use the product as a stepladder.
10. This product is intended for indoor, household use only as it is a non-industrial product.
11. Please use caution and care when lifting the product to avoid personal injury and/or product damage.

Care and maintenance

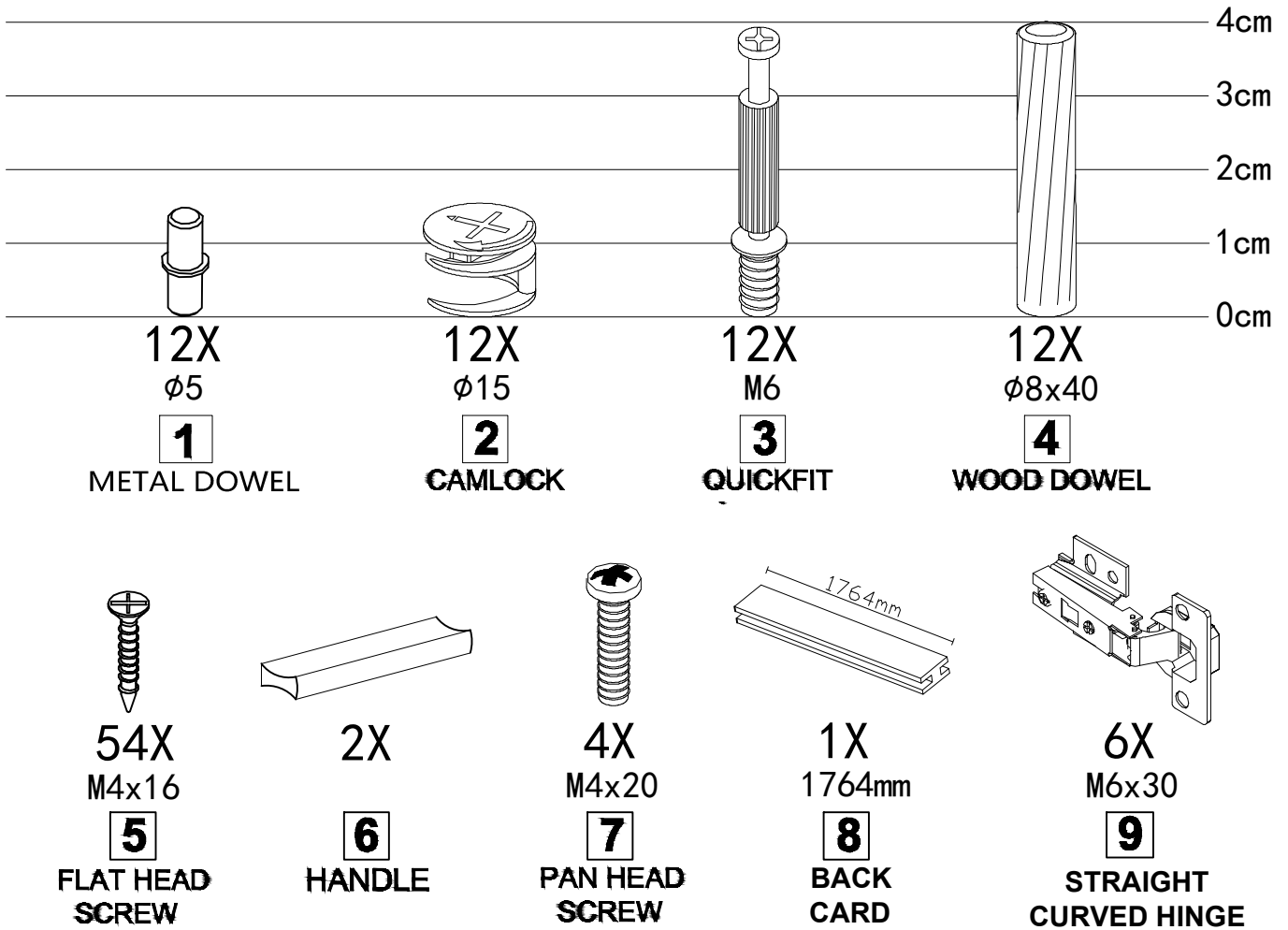
- ✓ Please periodically check all fittings and re-tighten as necessary.
- ✓ To clean your item, please use a damp cloth and wipe clean.
- ✓ Never allow any kind of liquid to remain on your furniture.
Absorption can cause wood to warp or finishes to de-laminate.
- ✓ Please do not place hot items (eg. hot drinks) directly on to the surface.
- ✓ Please do not drag and pull your furniture.

Part List

NO.	PART LIST	QTY	NO.	PART LIST	QTY
(A)	RIGHT SIDE PANEL	1	(D)	SHELF PANEL	3
(B)	LEFT SIDE PANEL	1	(E)	DOOR PANEL	2
(C)	FIXED PANEL	3	(F)	BACK PANEL	2



Hardware List



SPECIAL TIPS FOR FITTING CAM-LOCKS AND QUICKFIT

CAM-LOCK



WHEN FITTING CAMLOCK
ENSURE STARTING POSITION IS CORRECT
BEFORE YOU INSERT CONNECTING QUICKFIT
TURN CLOCKWISE UNTIL SECURE

✓ ✗

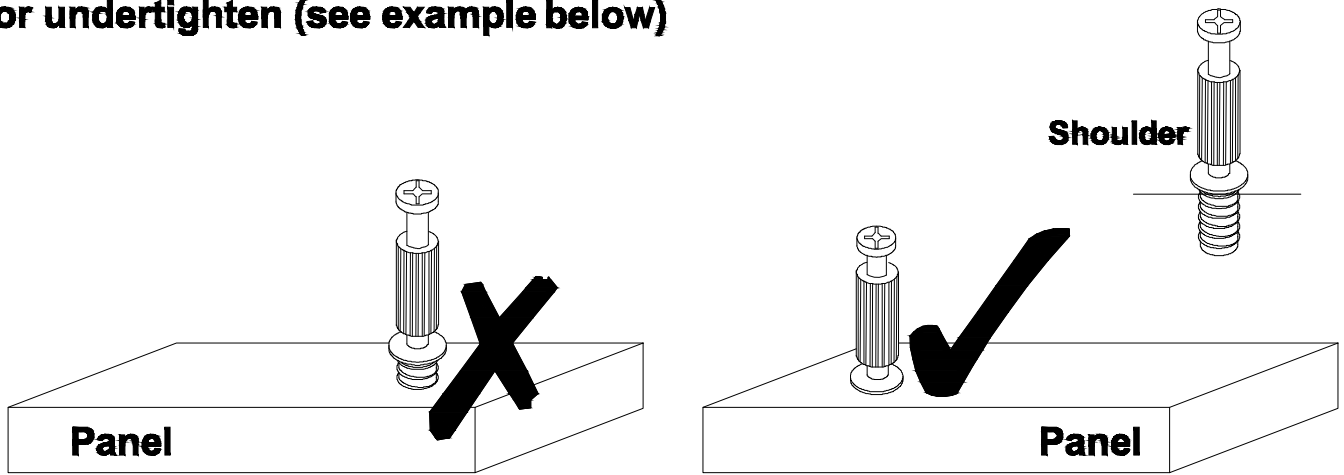
CORRECT **WRONG**

Quickfit head needs to be in centre

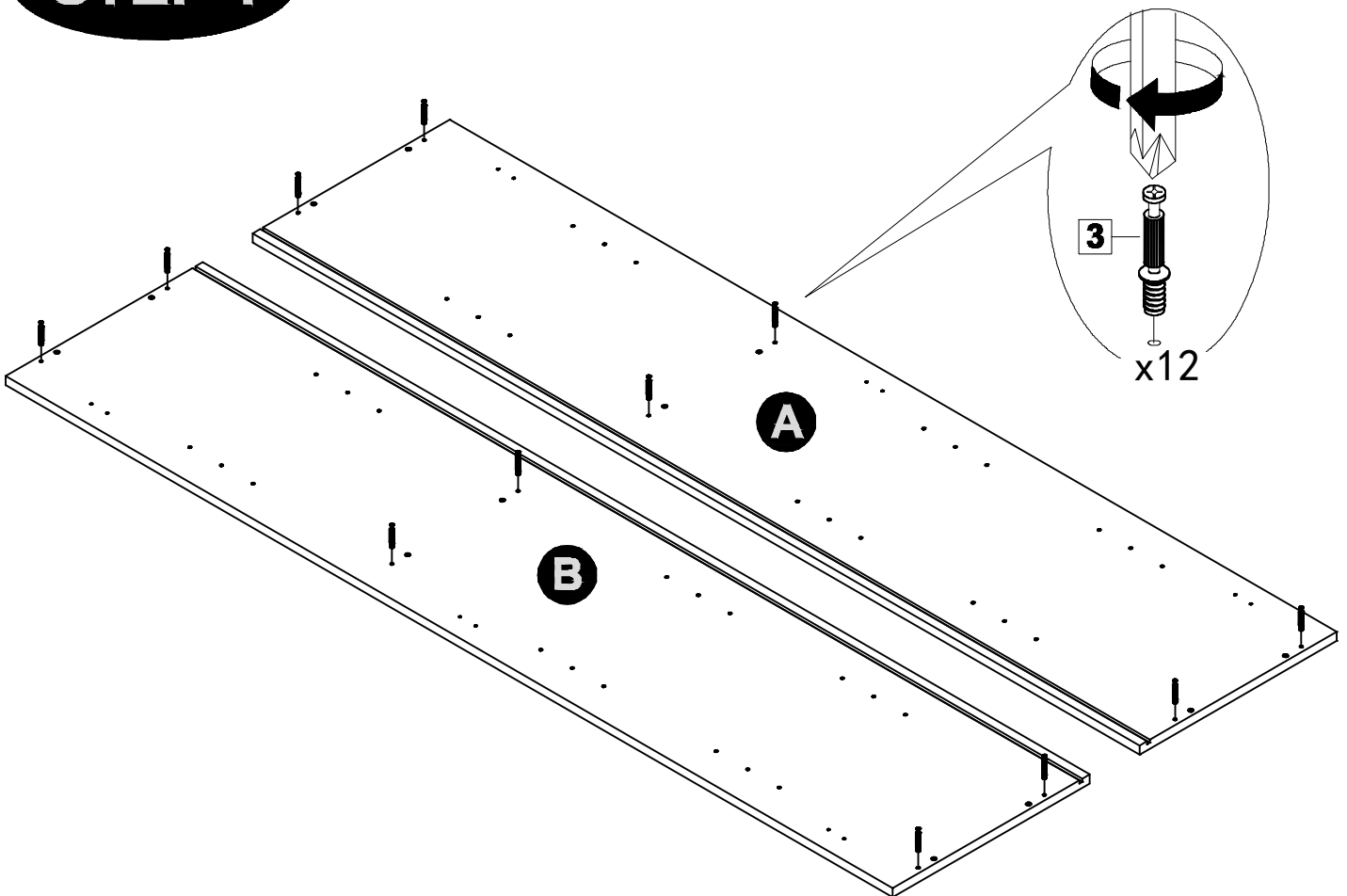
5

QUICKFIT

Tighten until shoulder is flush with panel. Do not overtighten or undertighten (see example below)



STEP 1

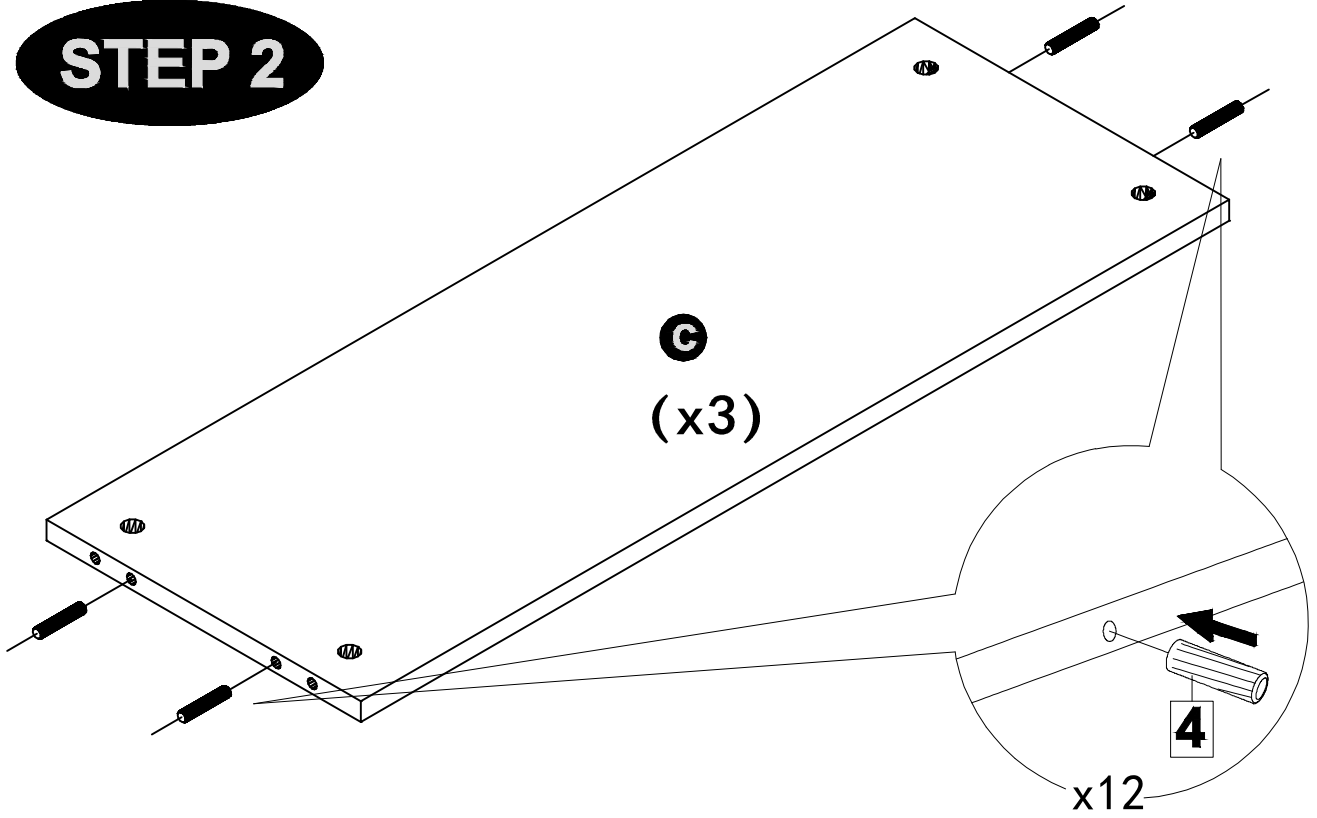


AFTER SALES SUPPORT

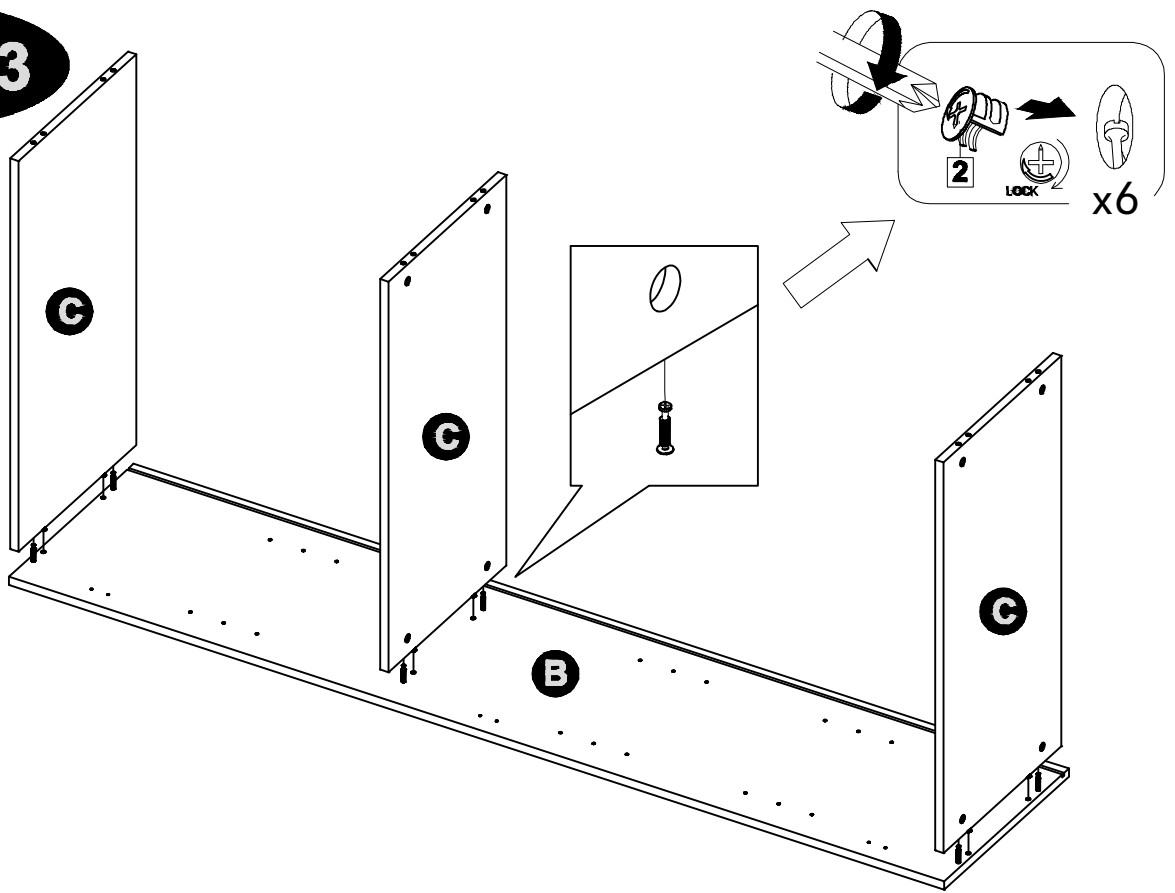
 (NZ) 0800 422 274

6

STEP 2



STEP 3

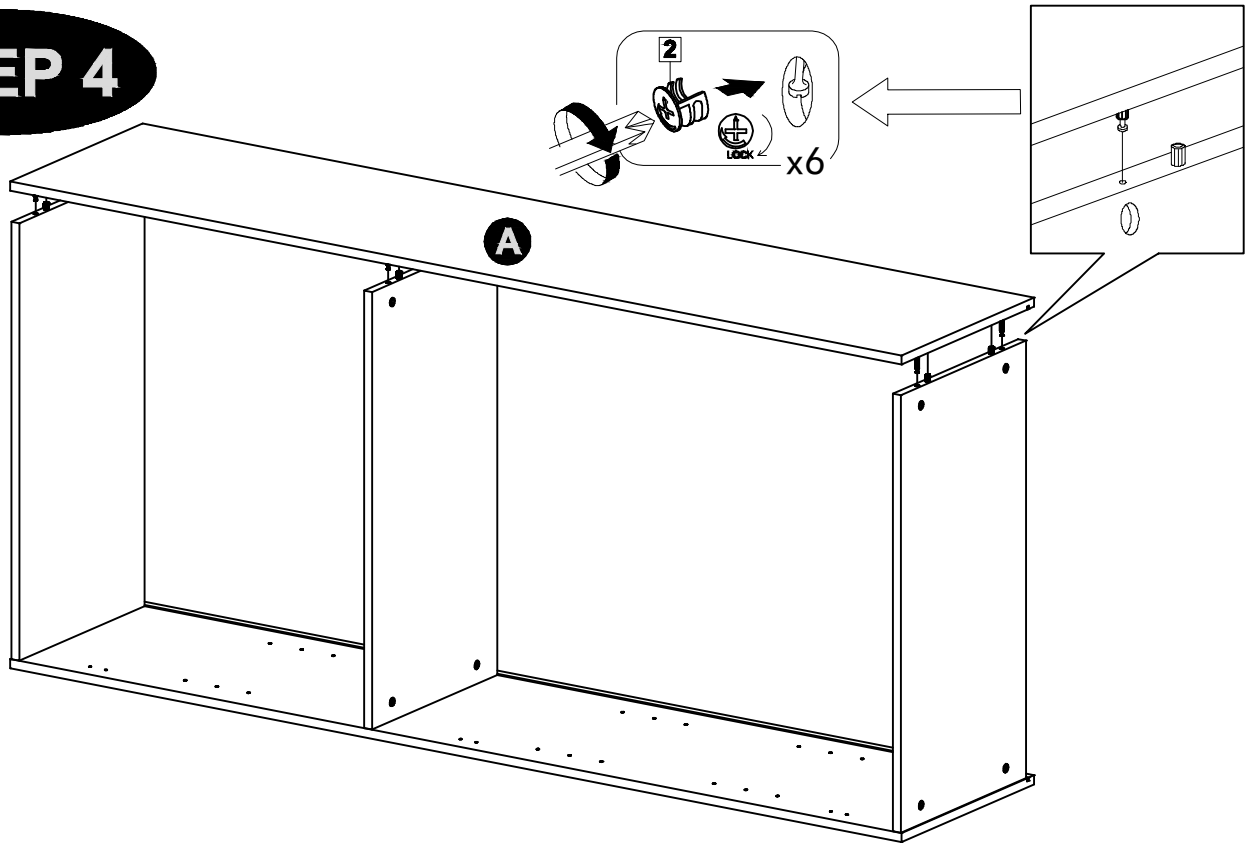


AFTER SALES SUPPORT

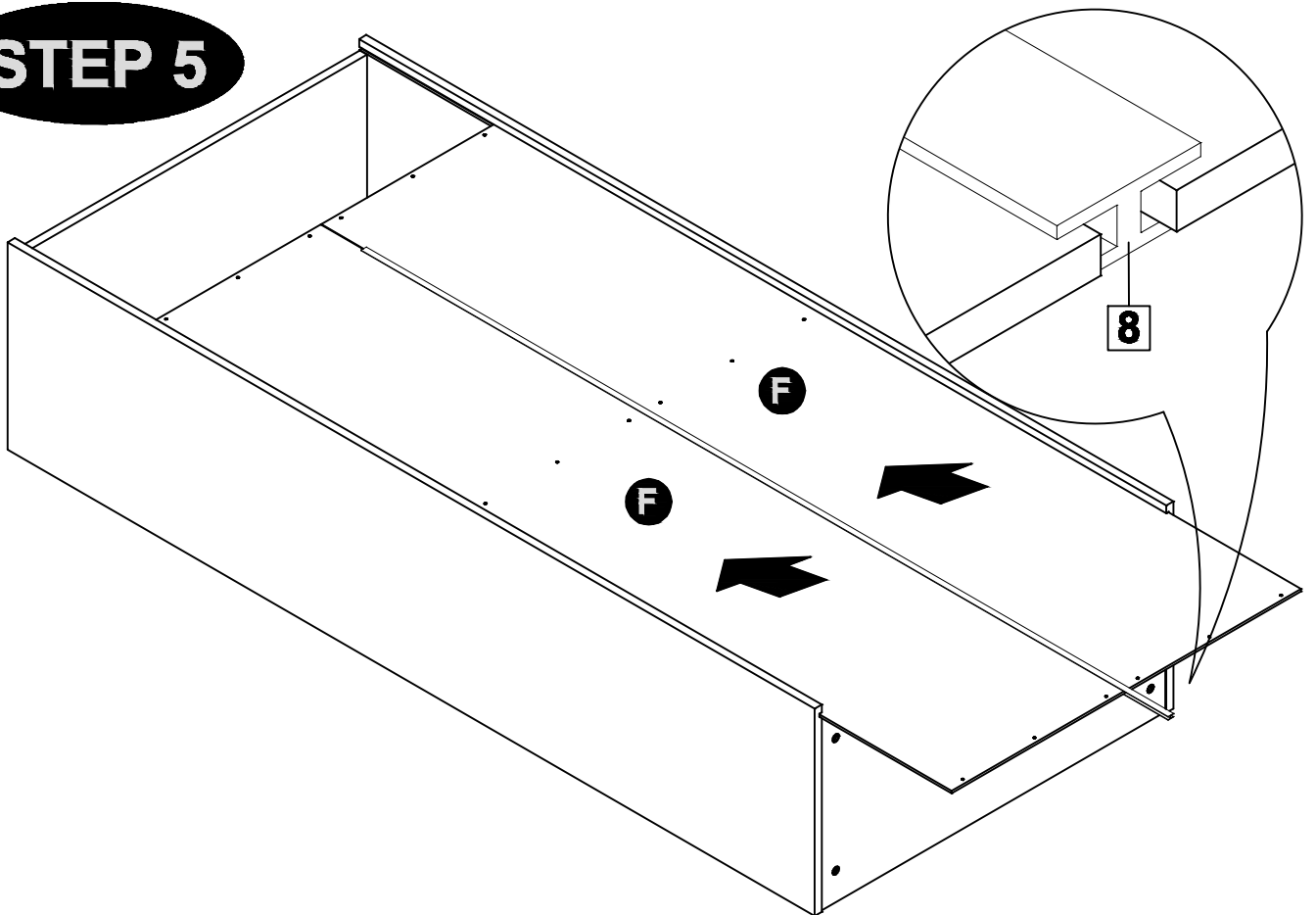
 **NZ** 0800 422 274

7

STEP 4

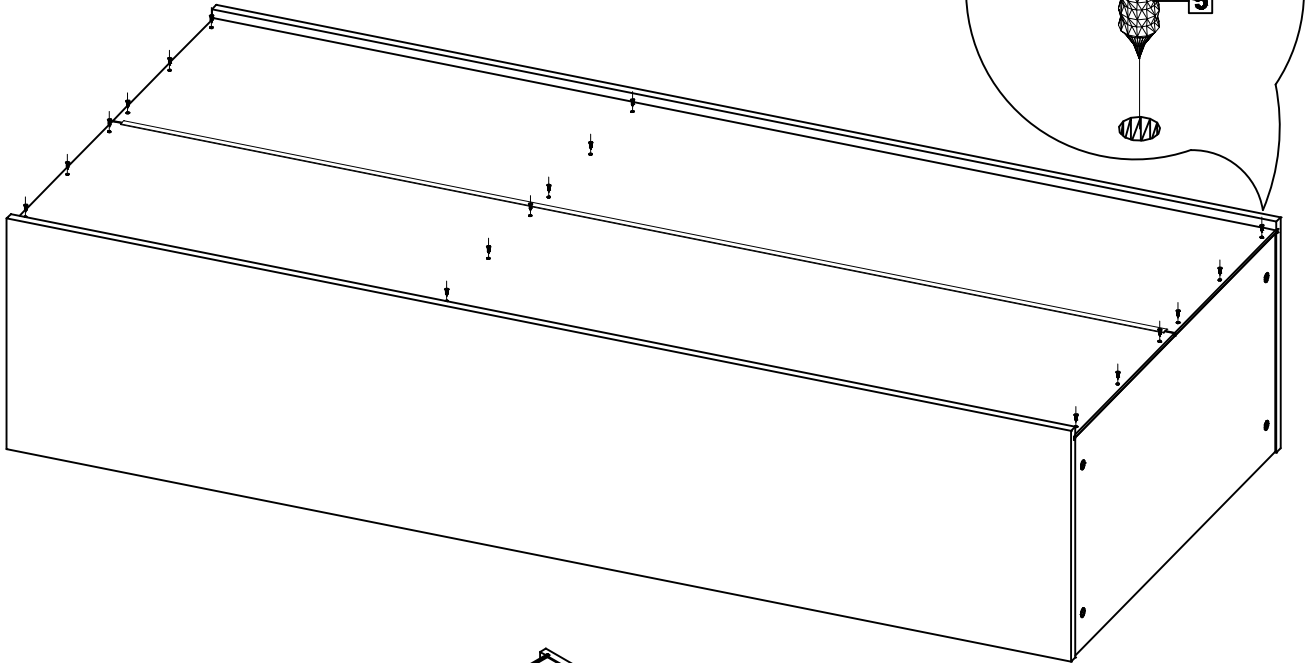
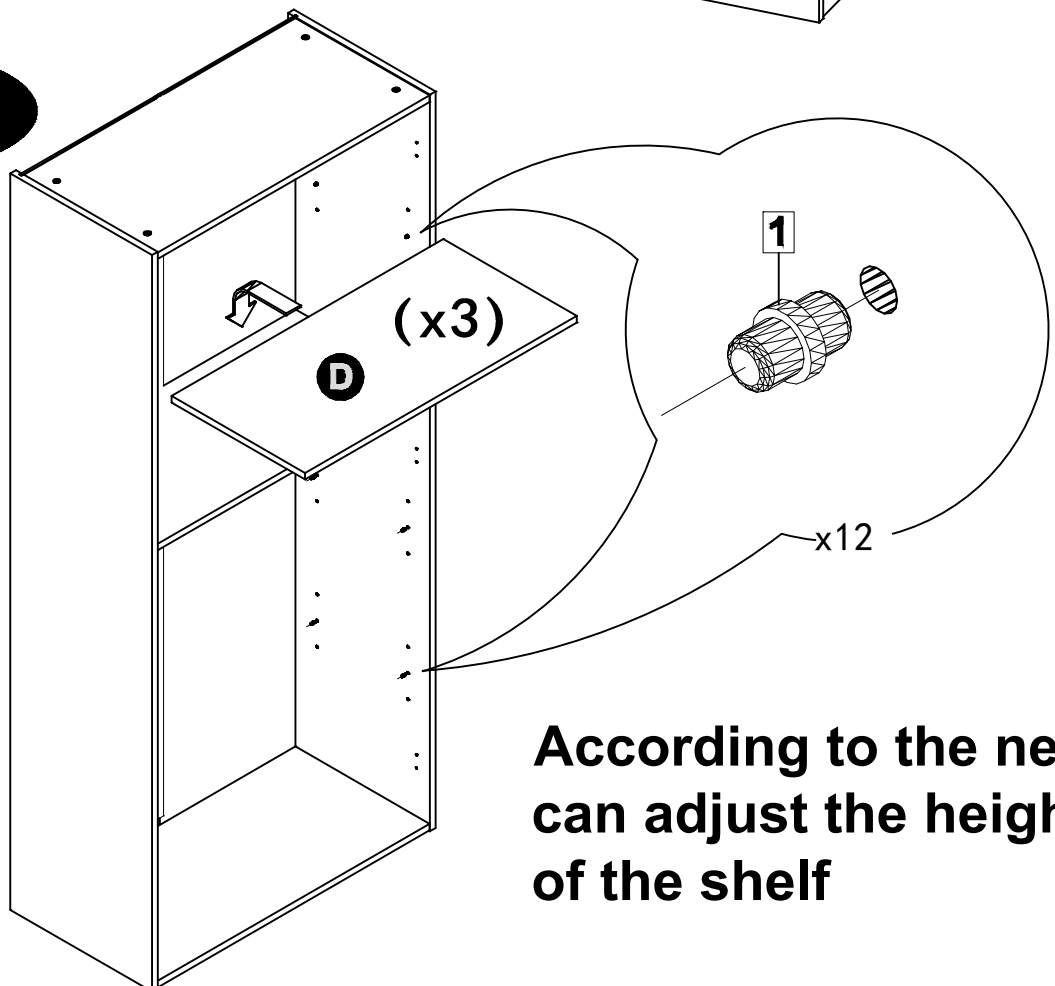


STEP 5



AFTER SALES SUPPORT

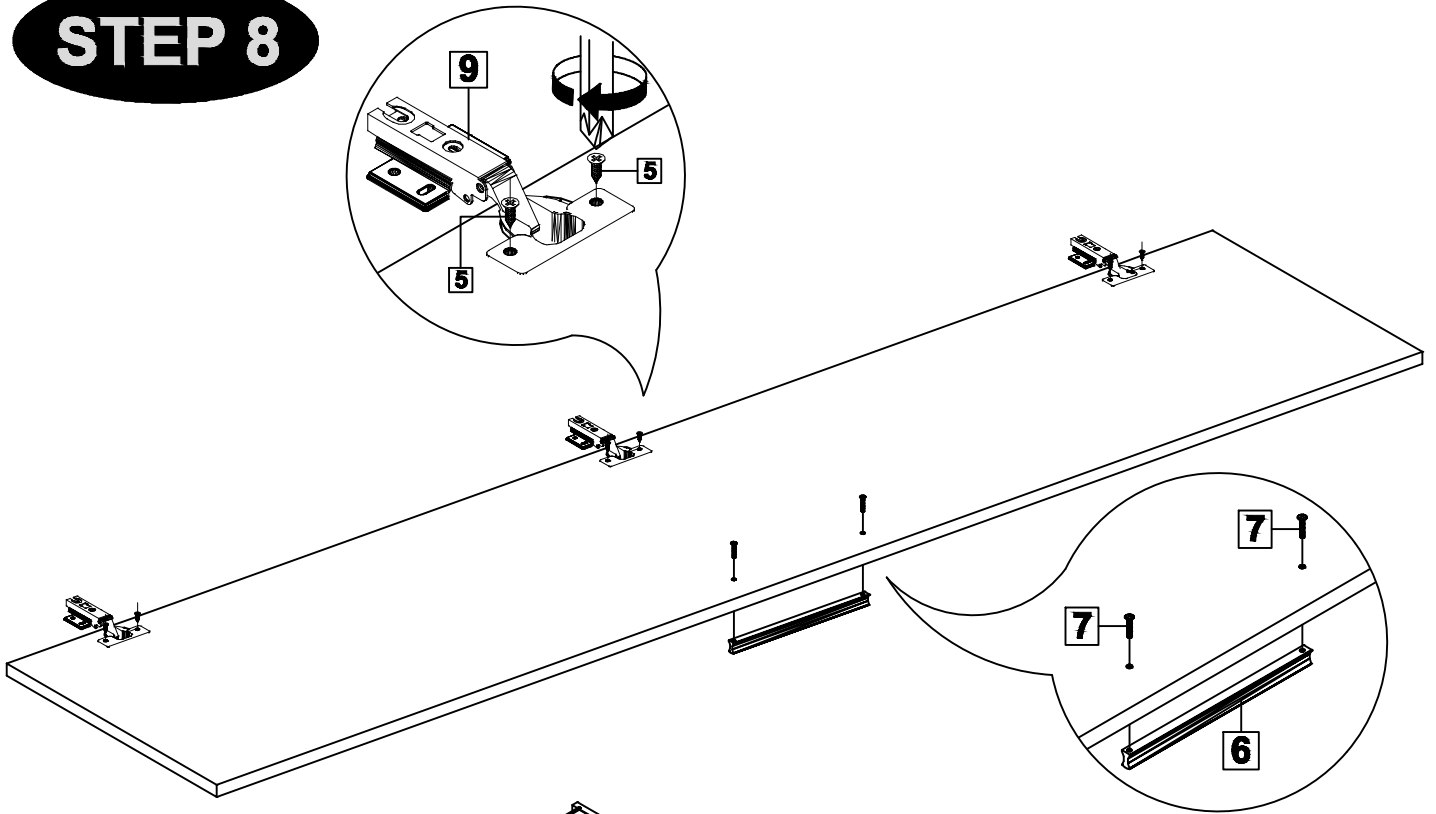
 **NZ** 0800 422 274

STEP 6**STEP 7**

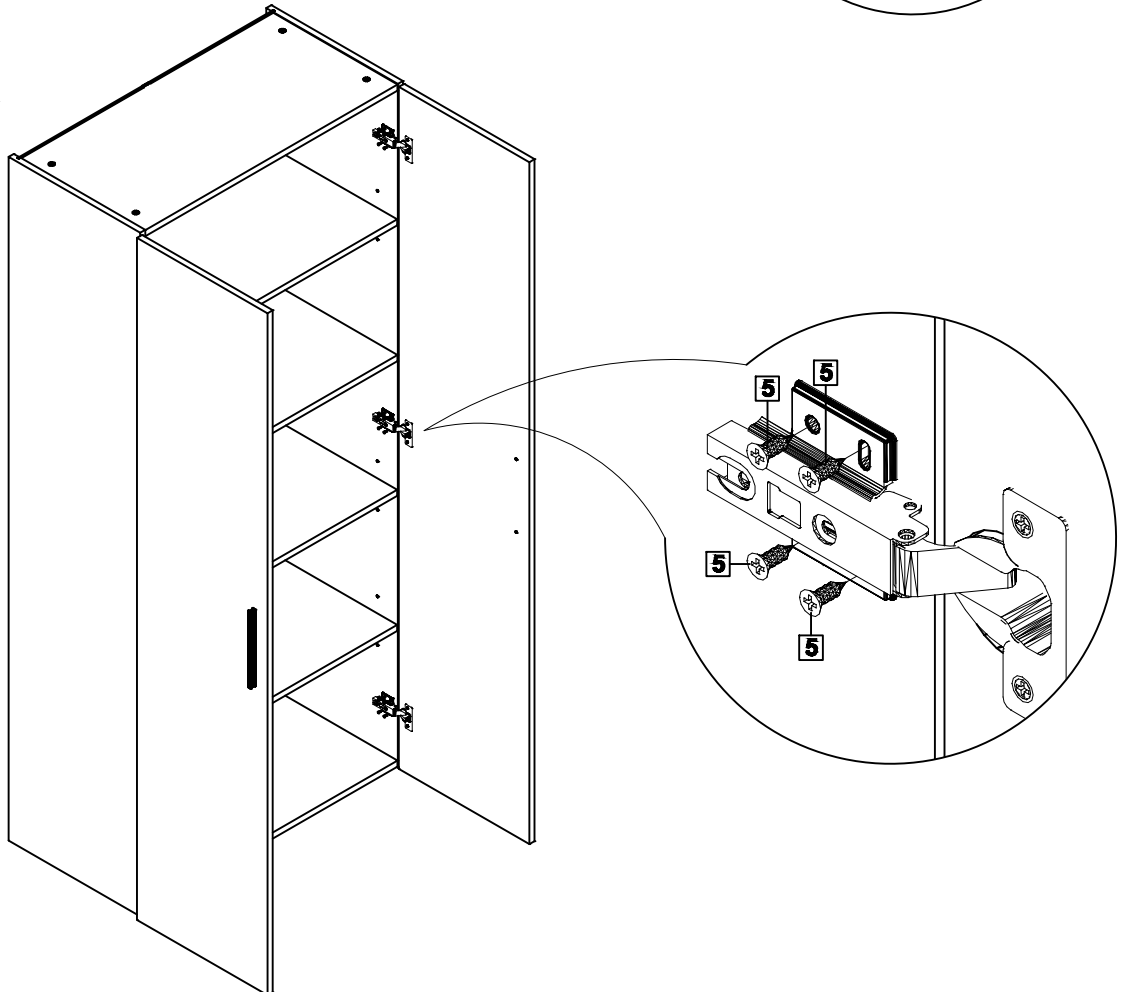
**According to the need
can adjust the height
of the shelf**

9

STEP 8

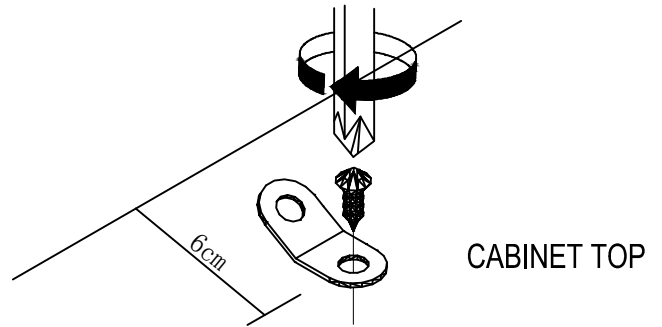
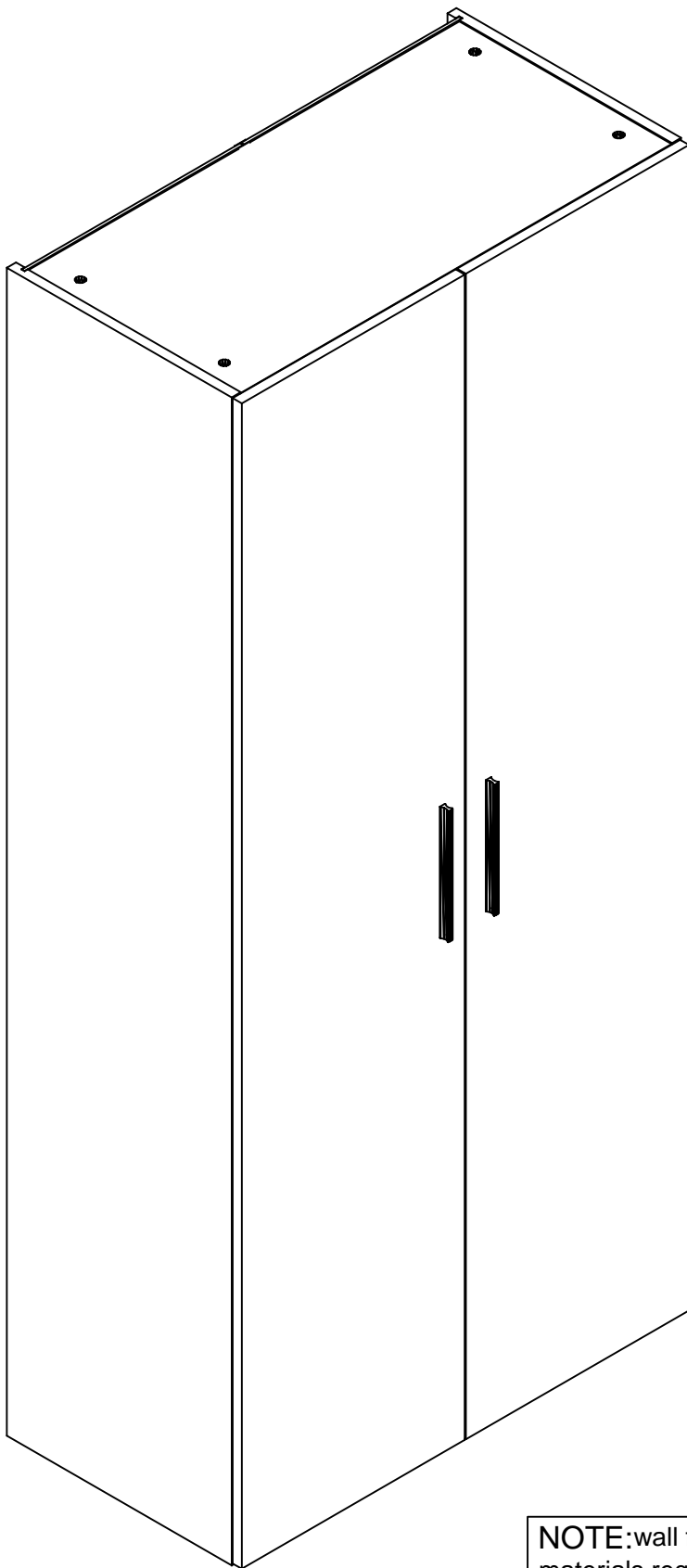


STEP 9



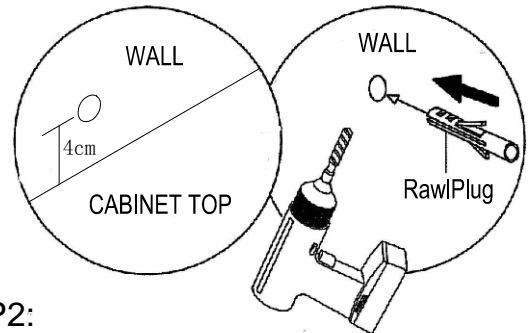
AFTER SALES SUPPORT

 **NZ** 0800 422 274

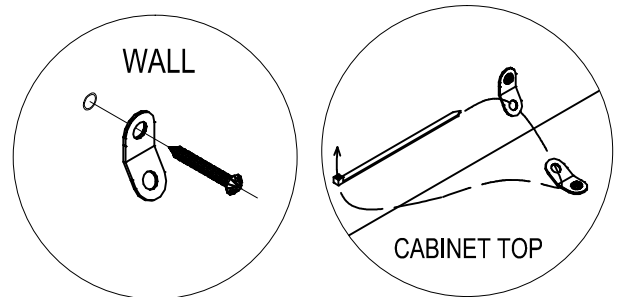


CABINET TOP

STEP1:
Insert screws through angle bracket (smaller hole) onto cabinet.







STEP2:
Drill a hole in the wall and insert the rawlplug



STEP1:
Insert screws(M5x50mm) through bracket (smaller hole) into hole in wall.Lace the flatten end of the zip tie through both the larger holes on each bracket. Feed the flatten end into the locking end of the zip tie, draw and tighten, leave no slack.

Hardware List

			
Screw M4*16 1 Pc	Screw M5*50 1 Pc	Zip tie 290mm 1 Pc	Bracket 2 Pcs

NOTE:wall fixings are not supplied with this product as different wall materials require different types of fixing devices (such as Rawl plugs on brick work) .



Warranty

We pride ourselves on producing a range of quality products that are both packed with features and completely reliable. We are so confident in our products, we back them up with a 5 year warranty.

Now you too can relax knowing that you are covered.

Customer Helpline NZ: 0800 422 274

This Product is covered by 5 year warranty when accompanied by proof of purchase.

AFTER SALES SUPPORT

  0800 422 274