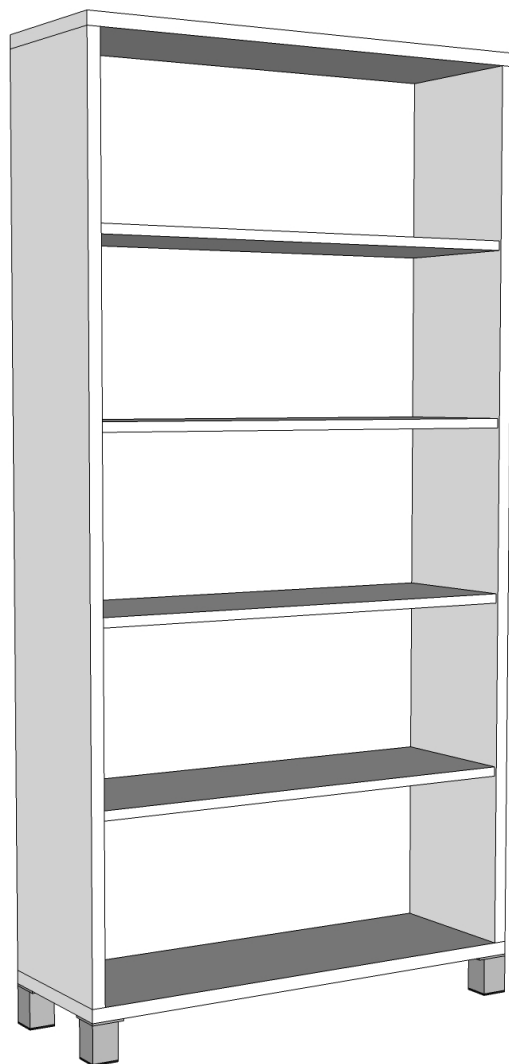


# *Cubit Bookcase*

## **Assembly Instructions**

---

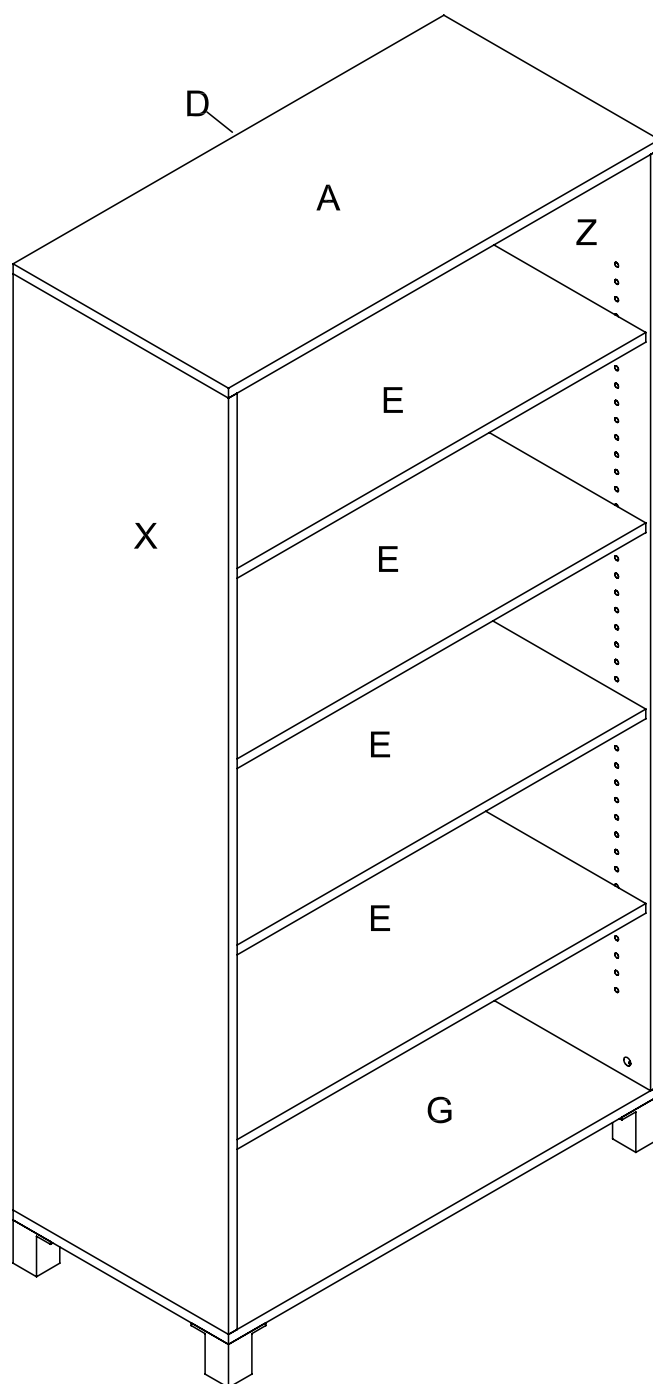
**Tools Required:** Powered screwdriver.



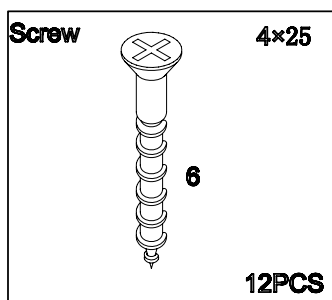
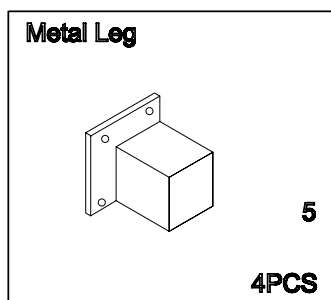
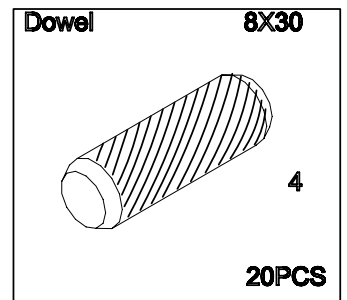
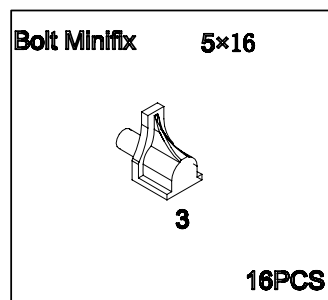
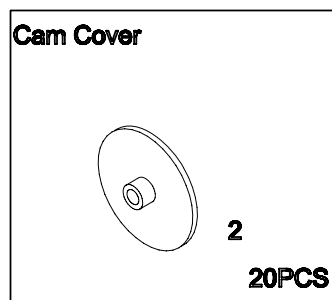
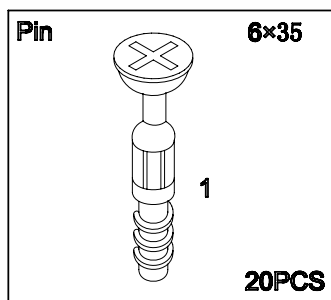
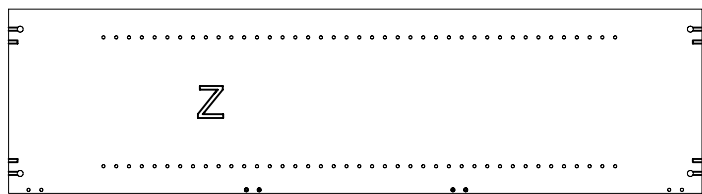
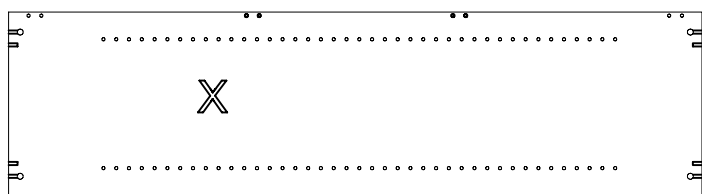
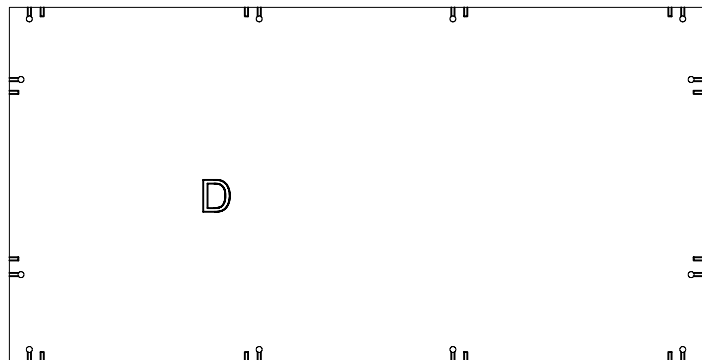
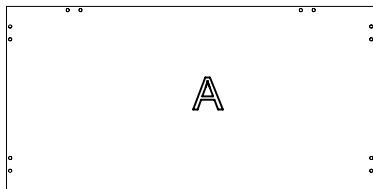
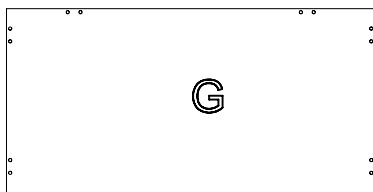
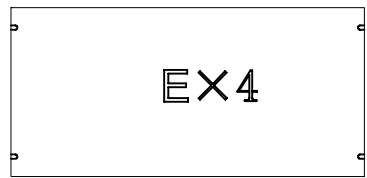
## Assembly Instructions

---

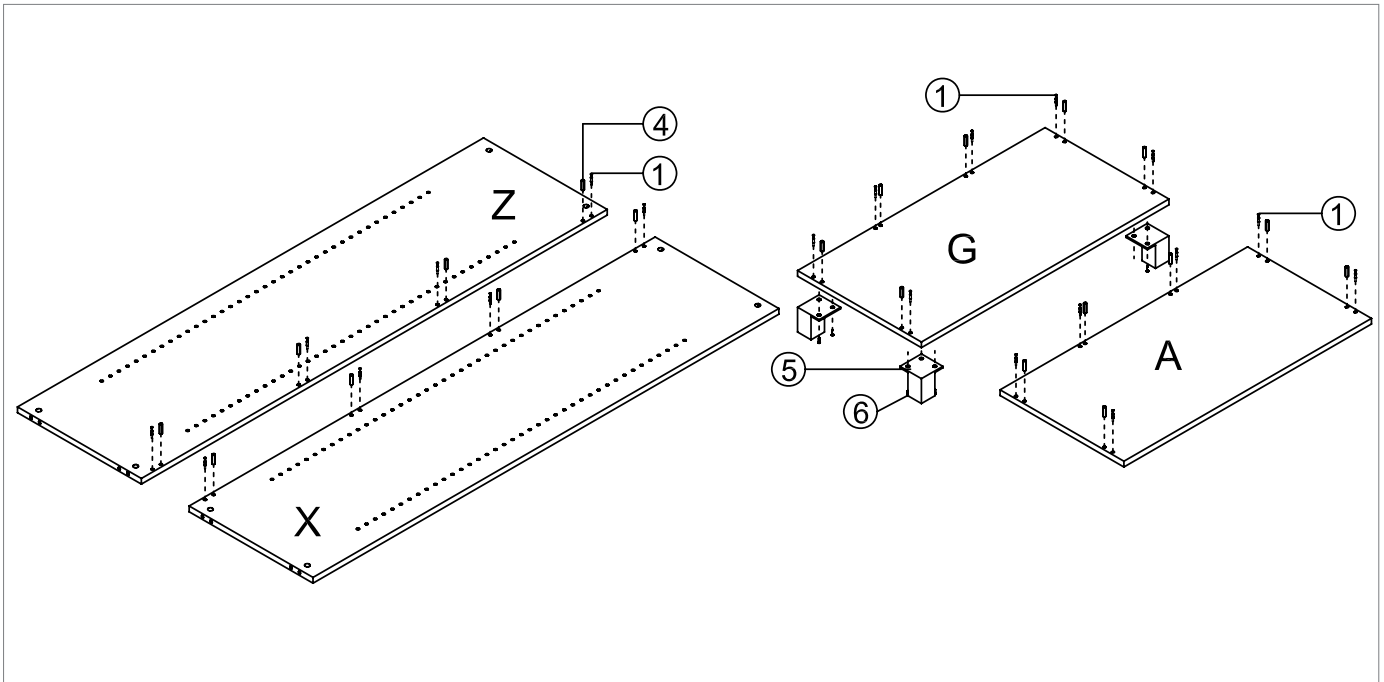
- To prevent possible scratches or damage, assemble the bookcase on a soft surface such as a blanket, carpet or packaging.



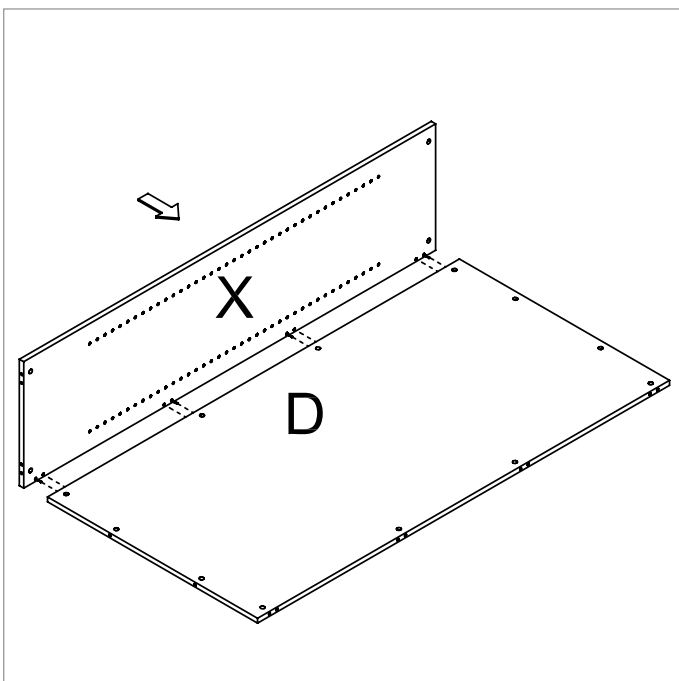
## Assembly Instructions



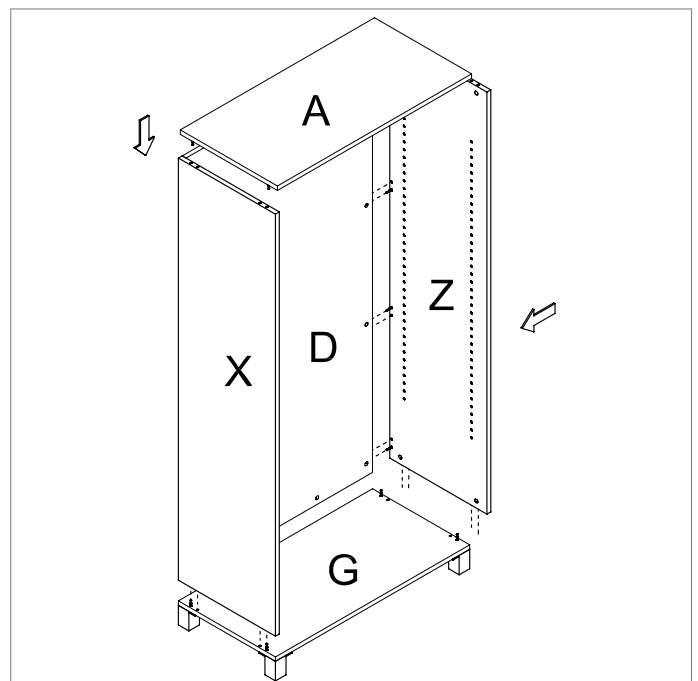
### Step 1



### Step 2

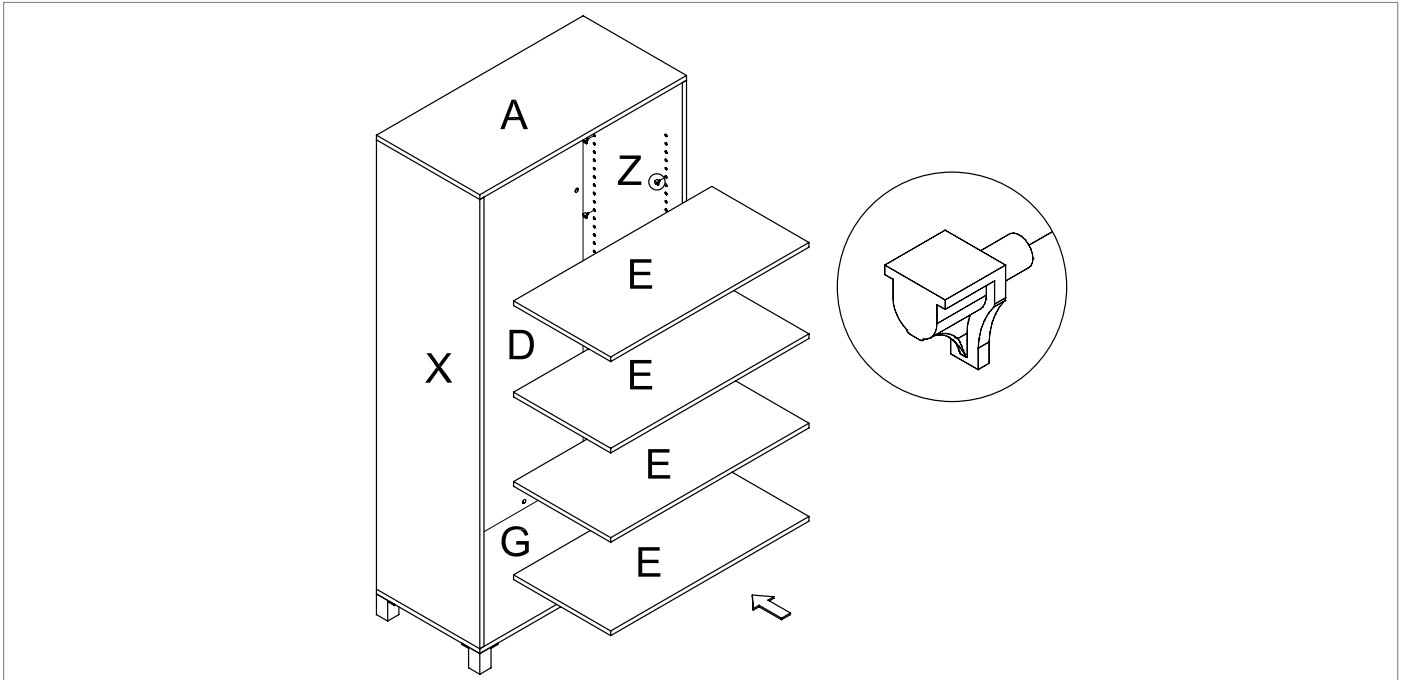


### Step 3



### Step 4

---



### Completed

---

