

Ergoplan Workstation

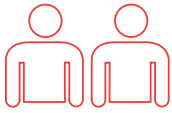
Assembly Instructions

Tools Required: Powered screwdriver.

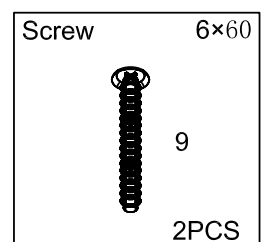
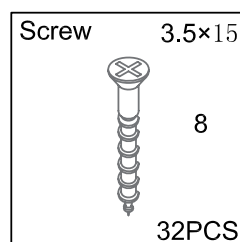
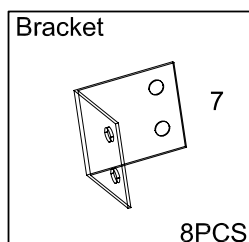
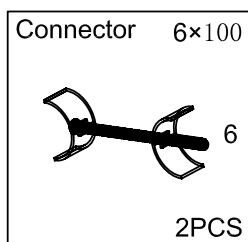
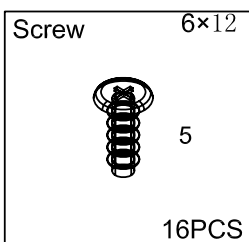
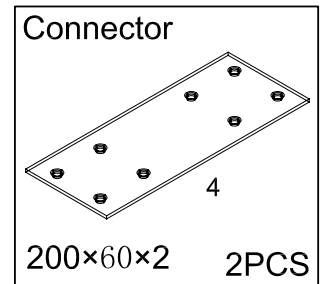
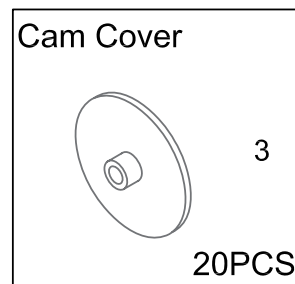
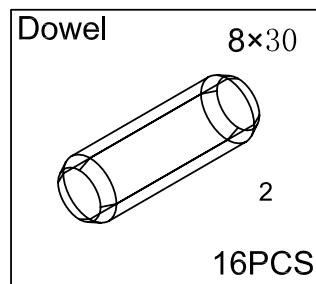
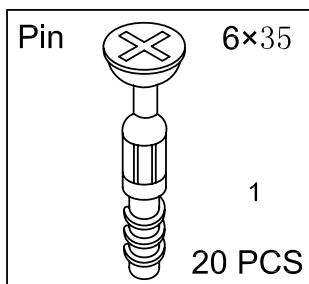
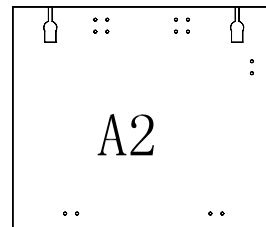
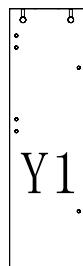
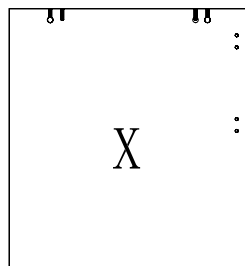
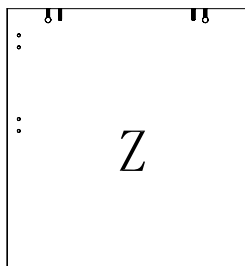
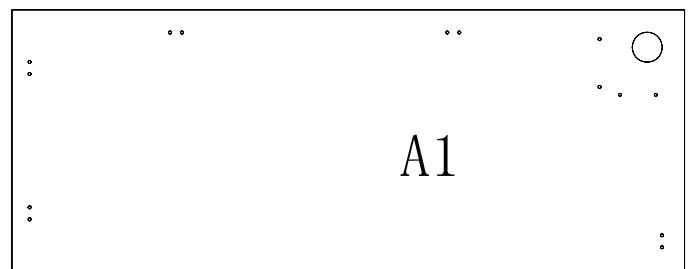
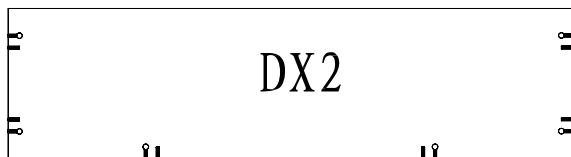
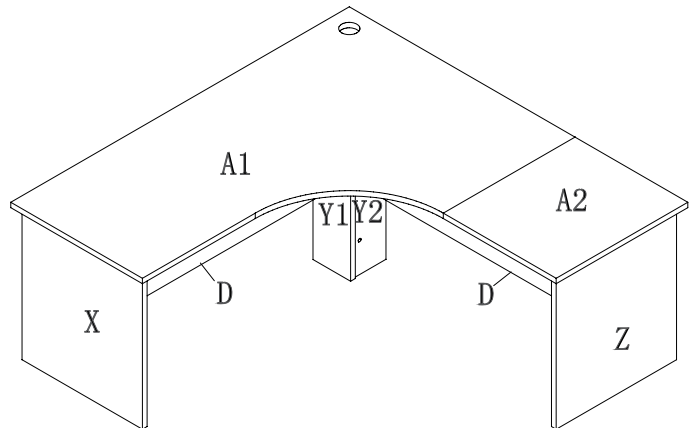


Assembly Instructions

- To prevent possible scratches or damage, assemble the desk upside down on a soft surface such as a blanket, carpet or packaging.
- Attach Leg to the top assembly by using bolts, spring washer, flat washer. Tighten using the allen wrench.

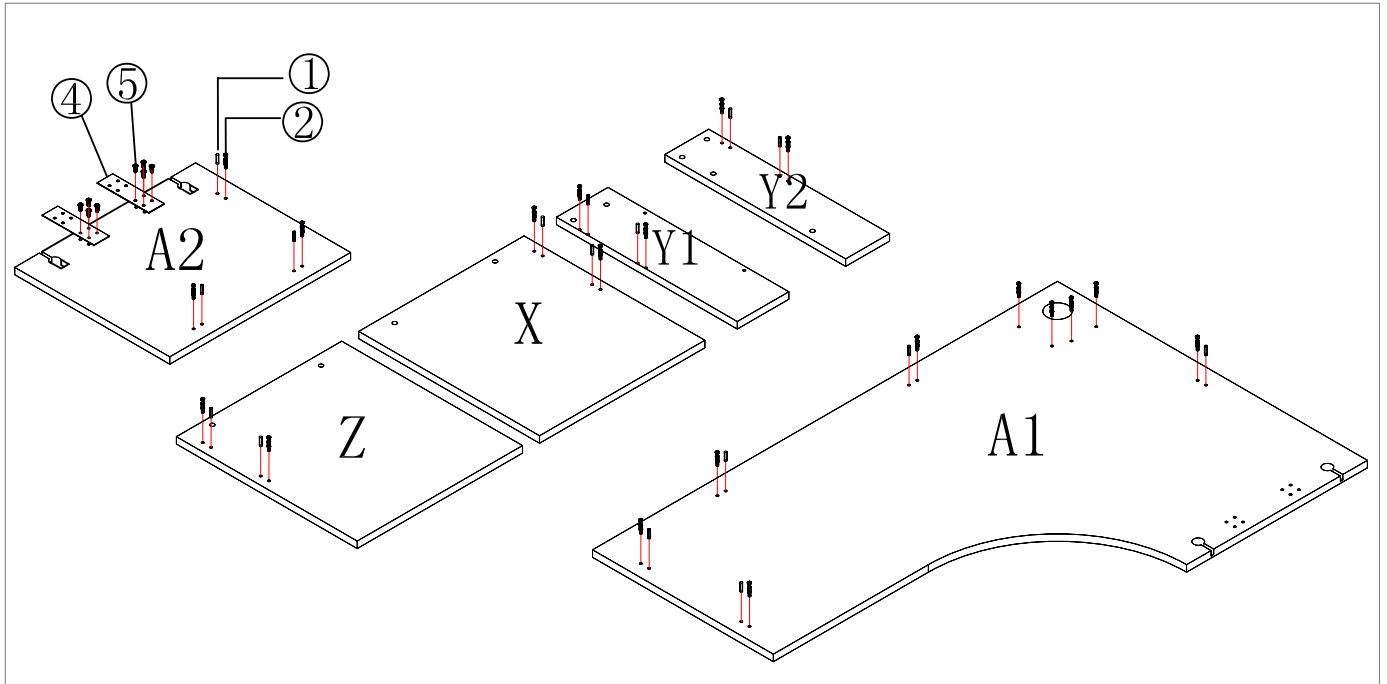


Recommended
2-person Step

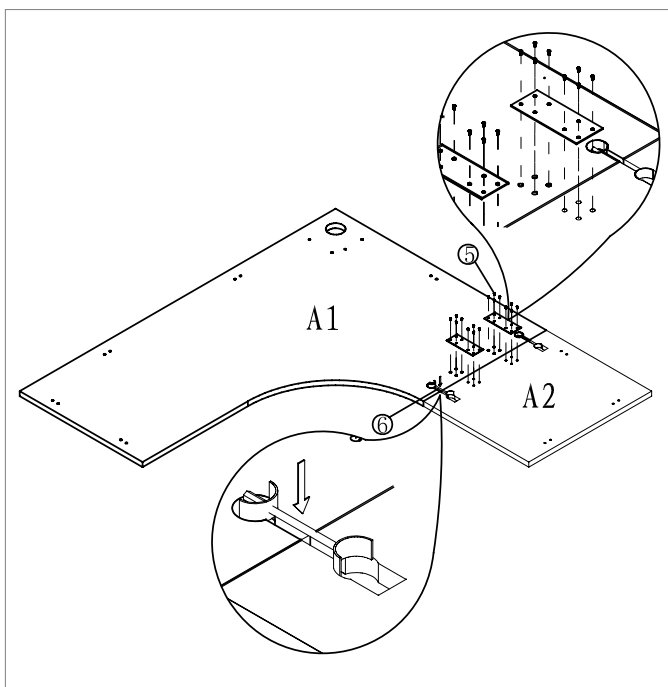


Assembly Instructions

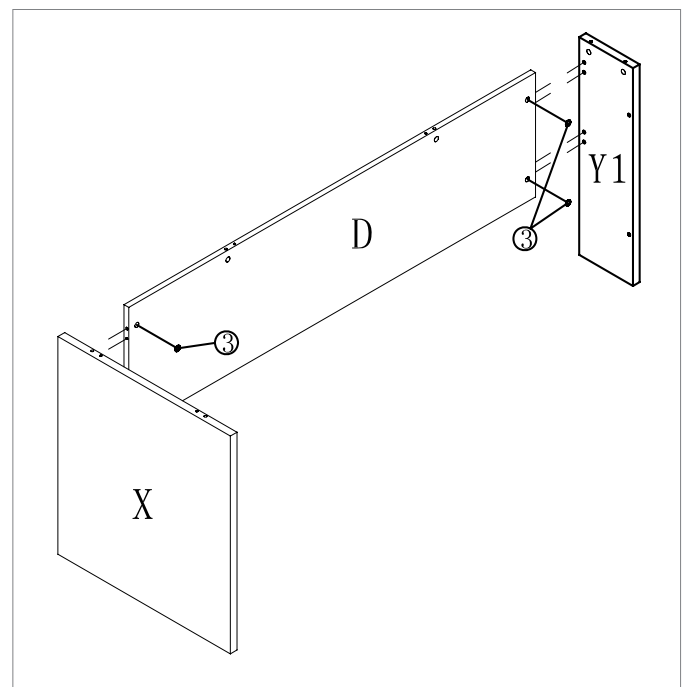
Step 1



Step 2

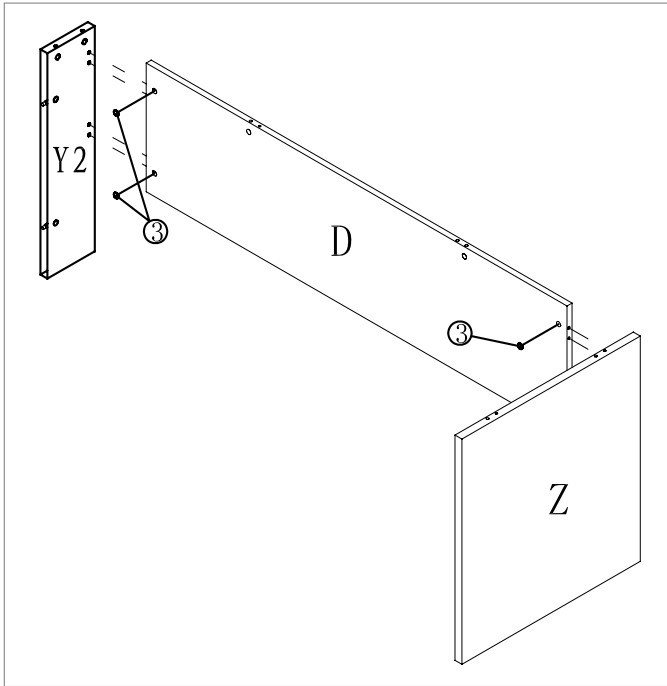


Step 3

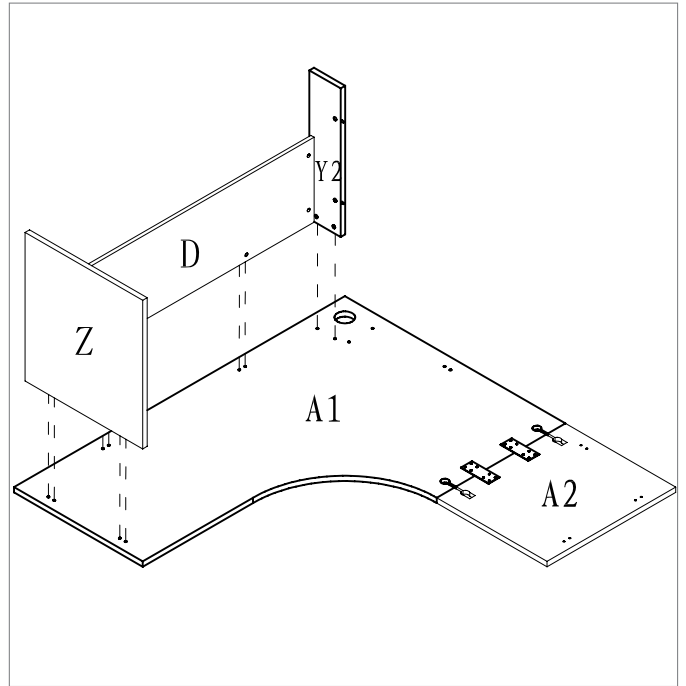


Assembly Instructions

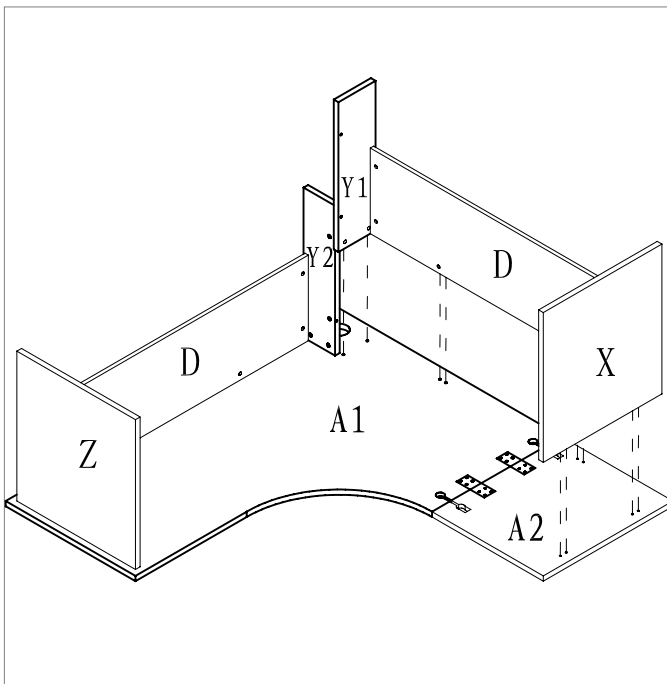
Step 4



Step 5



Step 6



Step 7

