



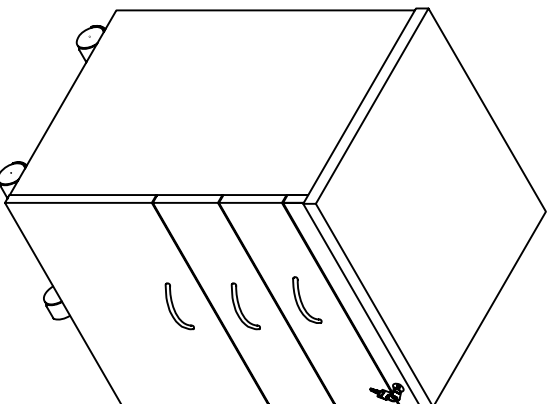
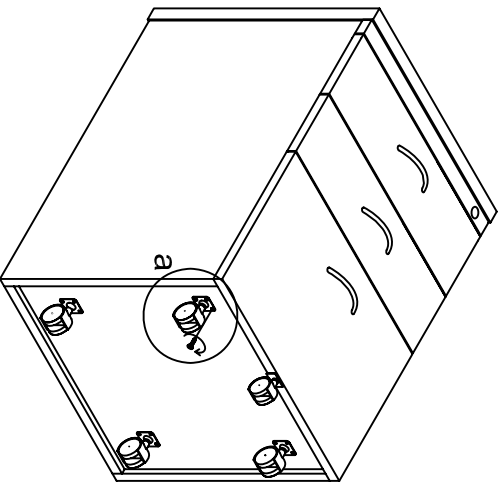


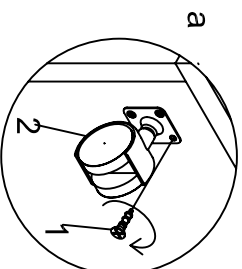
Assembly Instructions
MODEL NO. : 177527-1
 MOBILE PEDESTAL-3 DRAWERS

1	2	3	4
 Screw#4x1 6mm 21 pcs	 Wheel 4pcs	 Wheel 1pcs	 Key's 1set

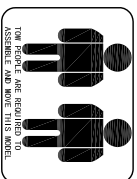
STEP1



COMPLETED ASSEMBLY




- IMPORTANT NOTE:**
- Place all laminated parts on a clean and smooth surface such as a rug or carpet to avoid the parts from being scratched.
 - Check to be sure that you have all parts and hardware.
 - Remove all wrapping materials, including staples & packing straps before you start to assemble.
 - Don't tighten all screws/bolts until all completely assembled.
 - Keep all hardware parts out of reach of children



IMPORTANT:

FUNCTION OF KILIX CAM



1/4 RIGHT TURN FOR LOOKING

Make Sure The Arrow Is Pointing Upwards Before Inserting Into The Panel's Hole