


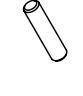
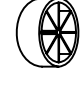


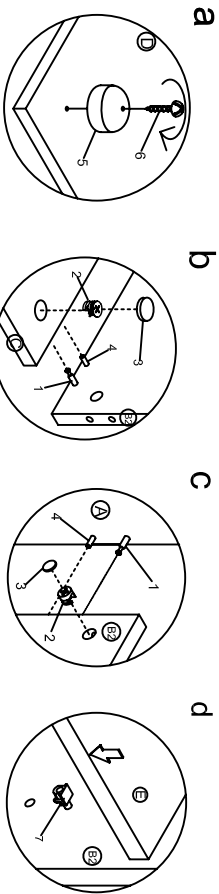
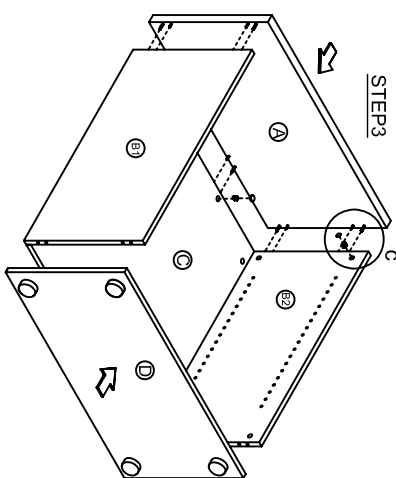
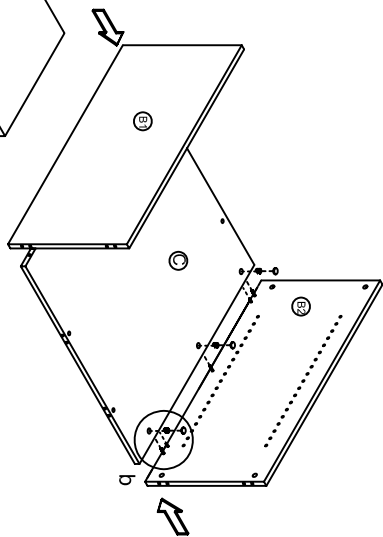
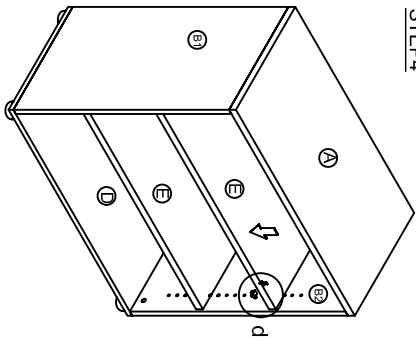
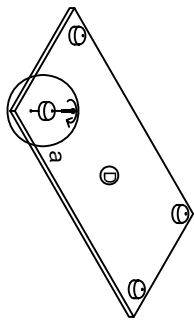


Assembly Instructions

MODEL NO.: 177503-1

BOOKCASE

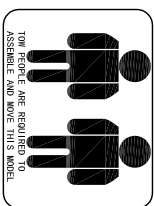
1	 Cam Lock 18pcs	2	 Klix Cam 18pcs	3	 Cam Cover 18pcs	4	 Dowel 16pcs	5	 CUSHION 25Hx 52 4pcs	6	 Screw #4*30mm 4pcs	7	 Shell supporter 8 pcs
---	---	---	--	---	---	---	---	---	---	---	--	---	---



COMPLETED ASSEMBLY

IMPORTANT NOTE:

- Place all laminated parts on a clean and smooth surface such as a rug or carpet to avoid the parts from being scratched.
- Check to be sure that you have all parts and hardware.
- Remove all wrapping materials, including staples & packing straps before you start to assemble.
- Don't tighten all screws/bolts until all completely assembled.
- Keep all hardware parts out of reach of children



TWO PEOPLE ARE REQUIRED TO ASSEMBLE AND MOVE THIS MODEL.

IMPORTANT:

FUNCTION OF KLIX CAM



1/4 RIGHT TURN FOR LOCKING

Make Sure The Arrow Is Pointing Upwards Before Inserting Into The Panel's Hole