

OM215

Mobile 3 Drawer



Please follow these Assembly Instructions.

This will save you time, make assembly easier and prevent possible damage to your new Table. Assistance may be required for some assembly procedures. Correct assembly is your responsibility.

We recommend that the unit is assembled on a soft surface such as carpet.

Please record your serial number in the space provided below and retain this manual for future reference.

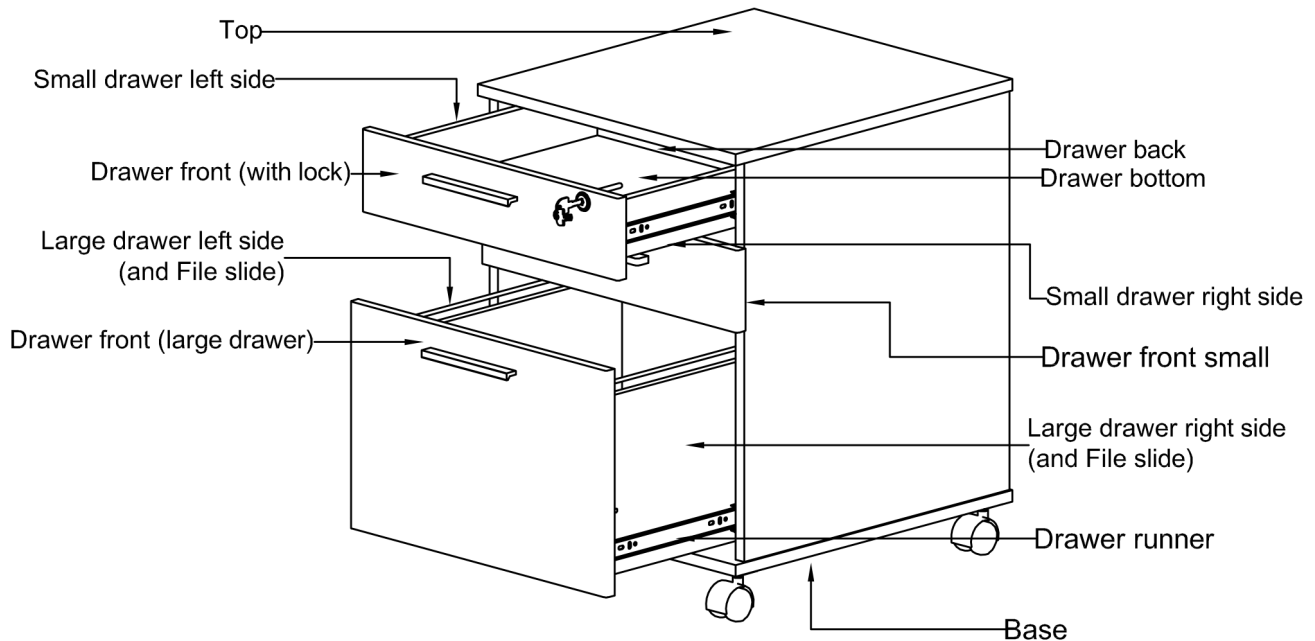
Serial No



For warranty registration and information please go to
www.jasperj.co.nz



Unpack & Identify Parts



AOM2150 (Mobile 3 Drawer) CARTON CONTENTS

<u>Part Description</u>	<u>Quantity</u>	<u>BEECH Part Number</u>
Top	1	IOM2150B701
Base	1	IOM2150B702
Left side	1	IOM2150B703
Right side	1	IOM2150B704
Large drawer front	1	IOM2150B705
Small drawer front (with lock)	1	IOM2150B706
Small drawer front	1	IOM2150B707
Large drawer left side	1	IOM2150B708
Large drawer right side	1	IOM2150B709
Small drawer left side	2	IOM2150B710
Small drawer right side	2	IOM2150B711
Large Drawer back	1	IOM2150B712
Small Drawer back	2	IOM2150B713
Drawer bottom	3	IOM2150B714
Drawer runner set	3	IOM2150B715
Handles	3	IDG0090
Screws for Handle	6	IDG0052
Hardware pack	1	IOM2150HPA0

Customer Service

0800 450 314

To request spare parts, please provide the details in step one - six.

1. Model number of unit purchased
2. Proof of purchase
3. Description of missing part
4. Part number of missing part
5. Quantity of missing part
6. Serial number of the unit

Post request to.

OR

Scan and take photos
of any damaged parts

JasperJ helpdesk
P.O. Box 47130,
Ponsonby
Auckland 1144

customerservice@jasperj.co.nz



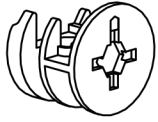
Before requesting spare parts, please ensure that you have checked your packaging and used the correct hardware at each step.



JASPER J

Hardware Contents:

Assembled hardware:



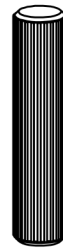
Cam
IDG0016 x 24



Connector rod
IDG0017 x 24



Screw
IDG0032 x12



Dowel
IDG0018 x 24

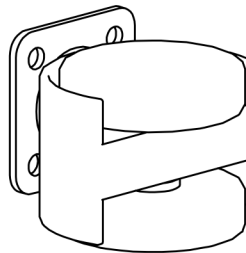


Screw
IDG0031 x 18

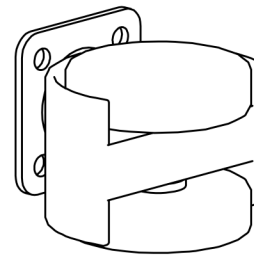
IOM2150HPA0 Hardware pack:



Screw
IDG0031x 16

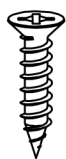


Castor
IDG0095 x 2

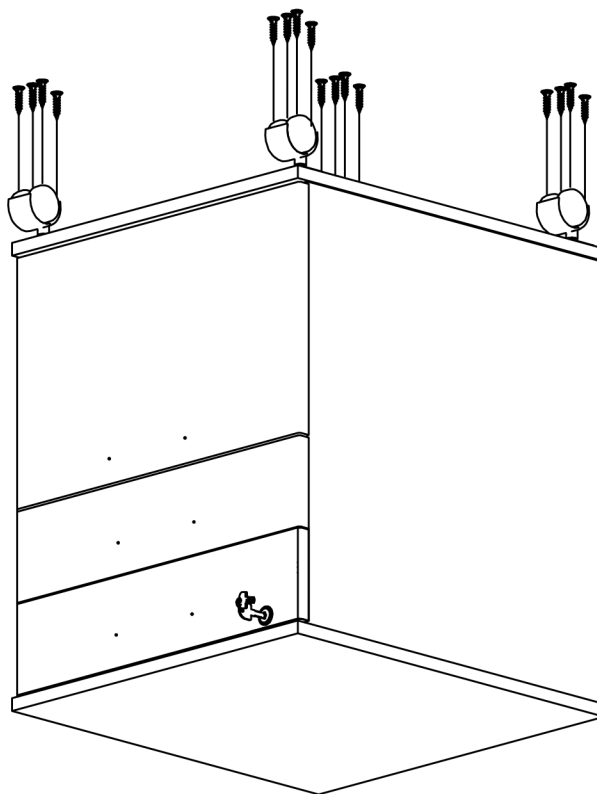


Locking Castor
IDG0096 x 2

STEP 1

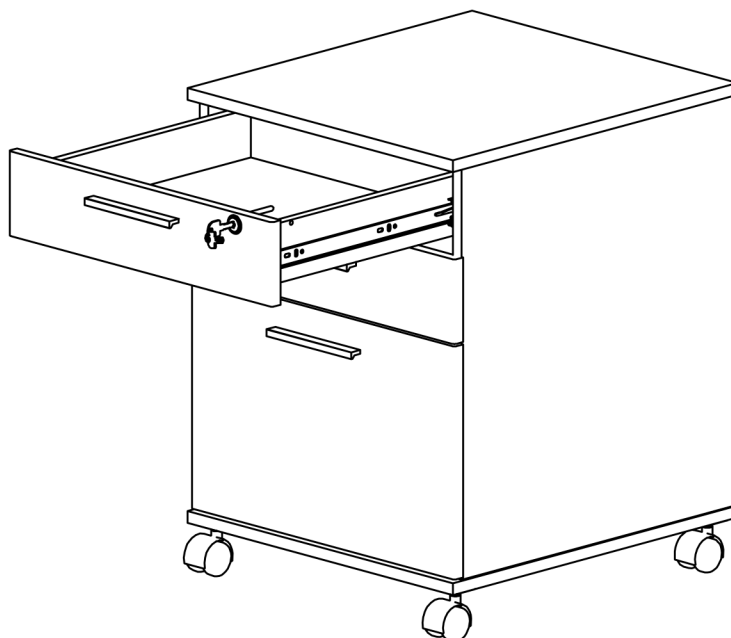


x 16



Screw 4 castors into base.

STEP 2



Refit handles on outside of drawer fronts.