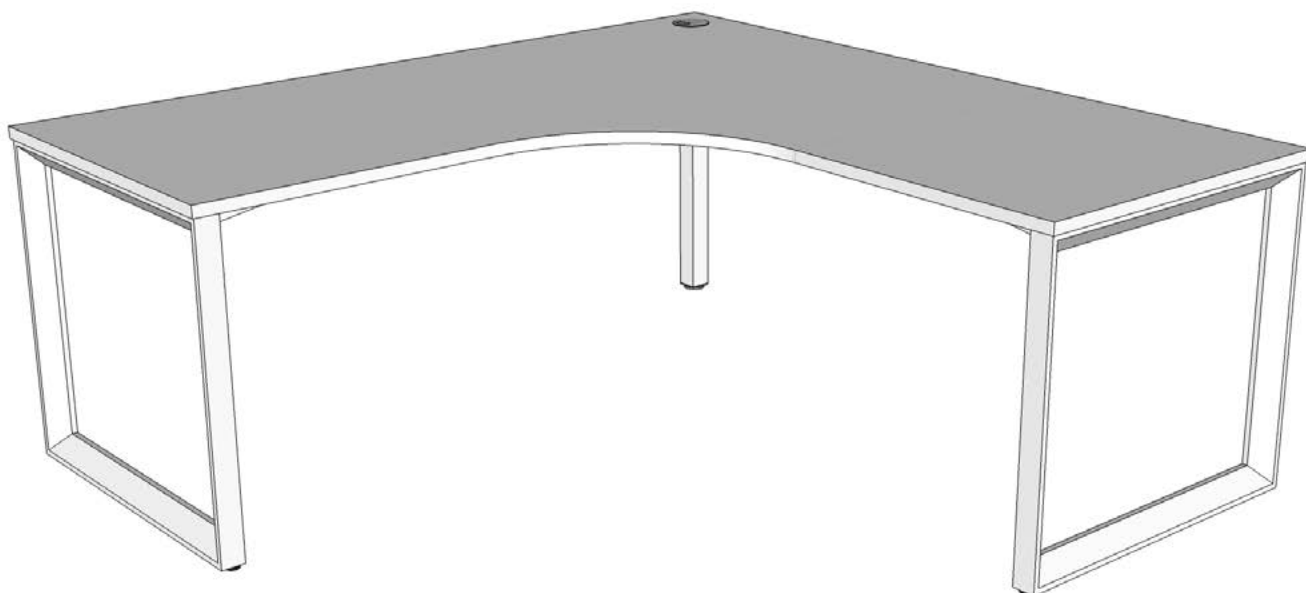


Anvil Workstation

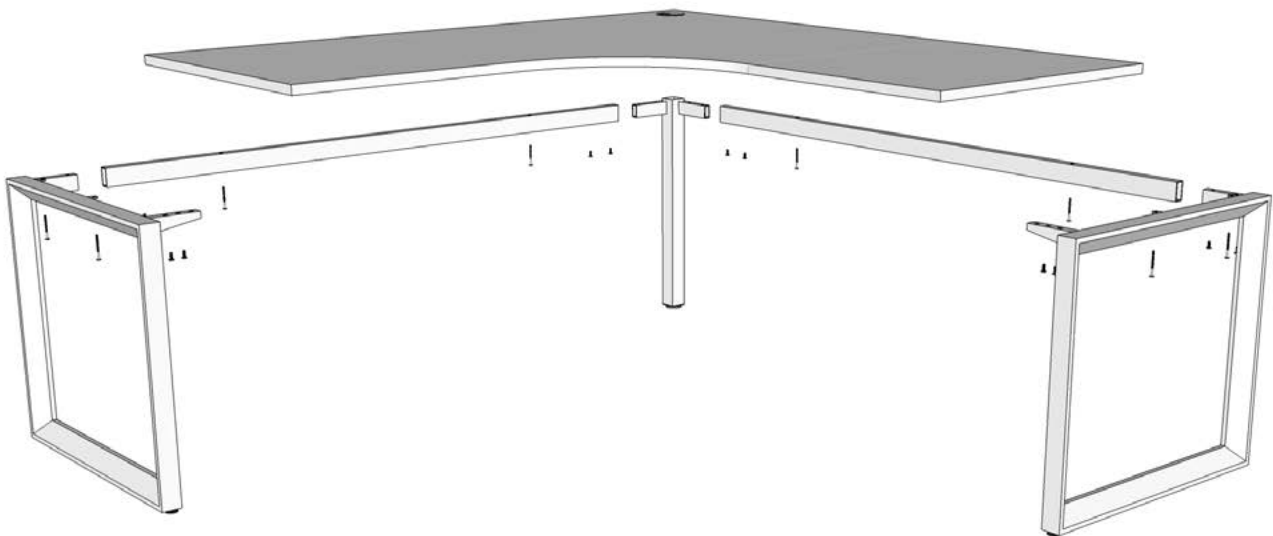
Assembly Instructions

Tools Required: Powered screwdriver.



Assembly Instructions

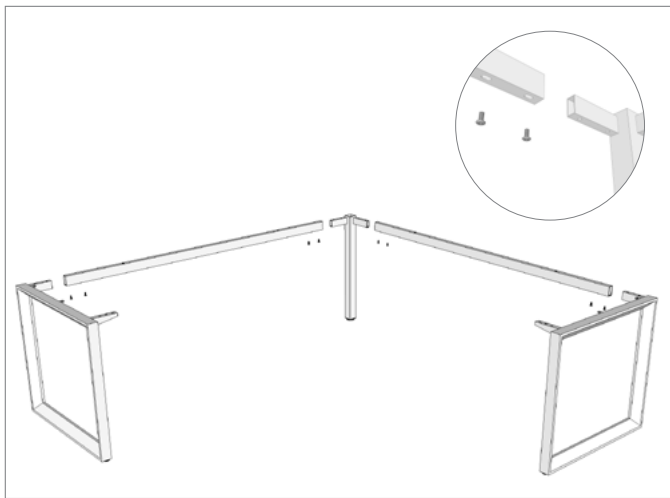
- To prevent possible scratches or damage, assemble the desk upside down on a soft surface such as a blanket, carpet or packaging.
- Attach Leg to the top assembly by using bolts, spring washer, flat washer. Tighten using the allen wrench.



Assembly Instructions

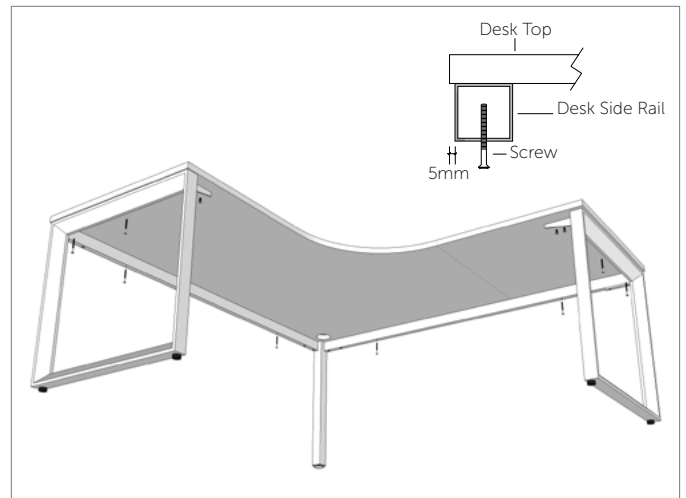
Step 1

Assemble frames & rails together, loosely (1 turn from tight).

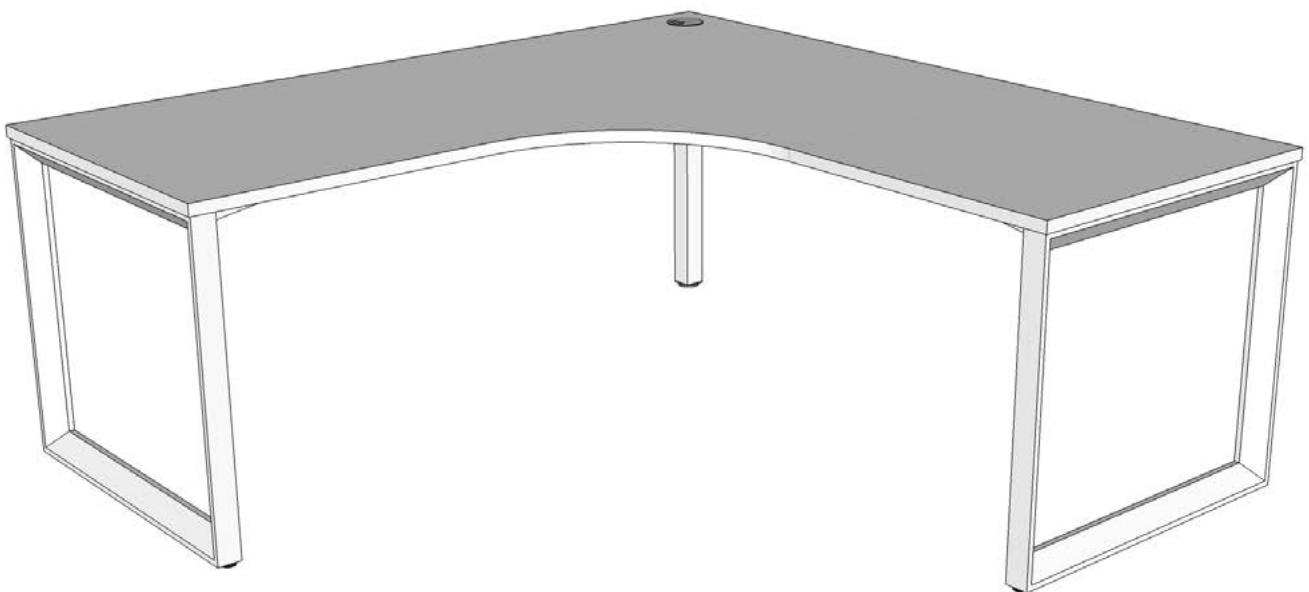


Step 2

Fix desk top with 5mm overhang over metal frame. Lastly, fully tighten all rail to frame screws.



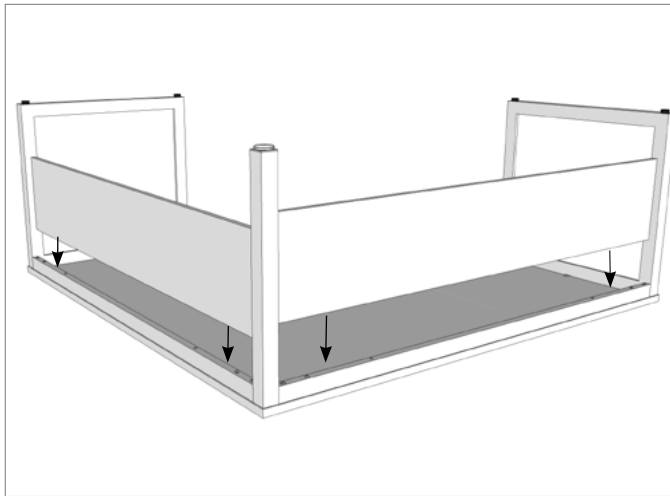
Completed



Assembly Instructions

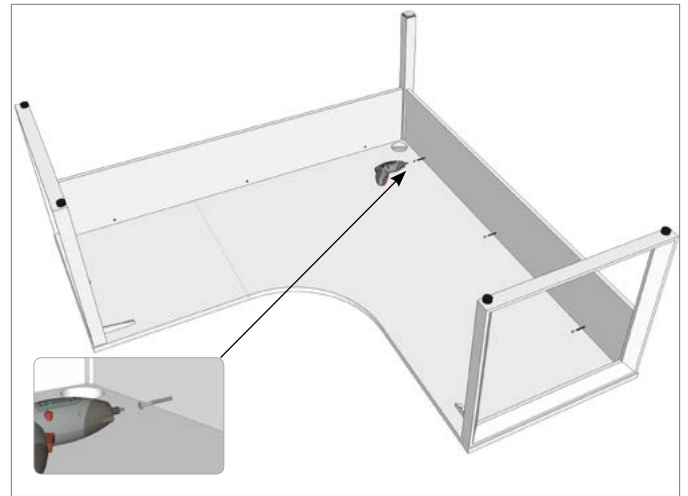
Step 1

Position the modesty panels behind the rails.



Step 2

Fully tighten the modesty panels to the rails with provided screws.



Completed

