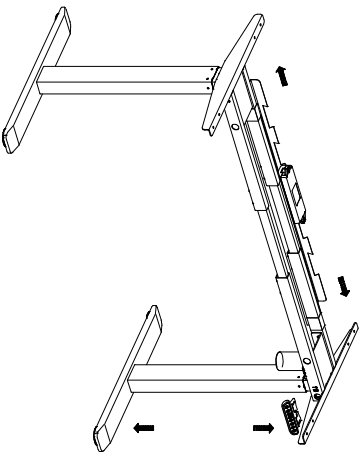


Electric Height Adjustable Desk

ASSEMBLY & USE INSTRUCTIONS

Specification

- Input voltage: 110~240VAC 50/60Hz
- Output voltage: Max 32VDC
- Loading capacity: 100KG
- Max speed: 20mm/s (2 sections)
- Height adjustable range: 700mm~1150mm (2 sections)
- Frame adjustable range: 1080mm~1700mm
- Frequency of use: 10% (work for 2 minutes and pause for 18 minutes)
- Operate temperature: 0~40°C

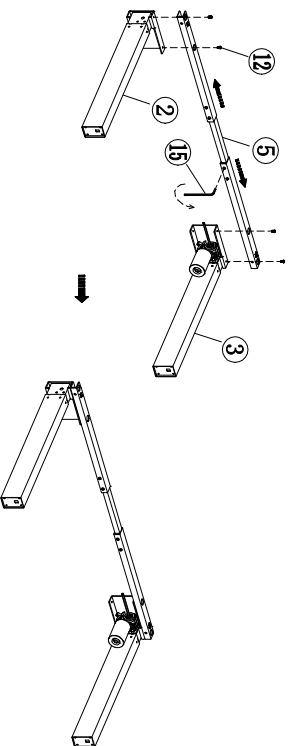


Packing list

NO.	Accessories	NO.	Accessories	NO.	Accessories	NO.	Accessories
1		6		11	M6×16	16	
2		7		12	M6×10	17	
3		8		13	ST6×16		
4		9		14	20mm		
5		10		15	4mm		

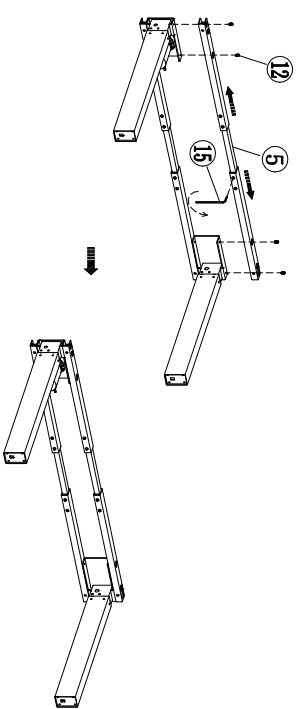
Step1:

12	M6×10	×4
2		×1
5		×2
15	4mm	×1
3		×1



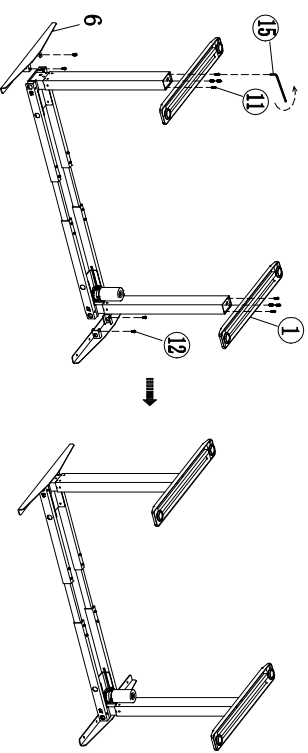
Step2:

15	4mm	×1
12	M6×10	×4
5		×1



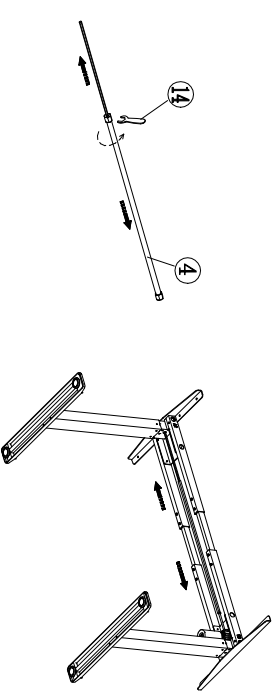
Step3:

15	4mm	×1
12	M6×10	×4
6		×2
11	M6×16	×8
1		×2



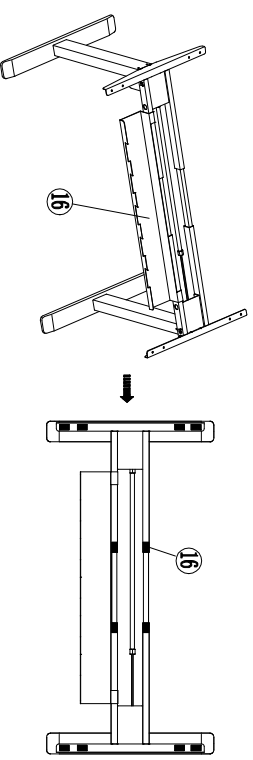
Step4:

14	20mm	×1
4		×1

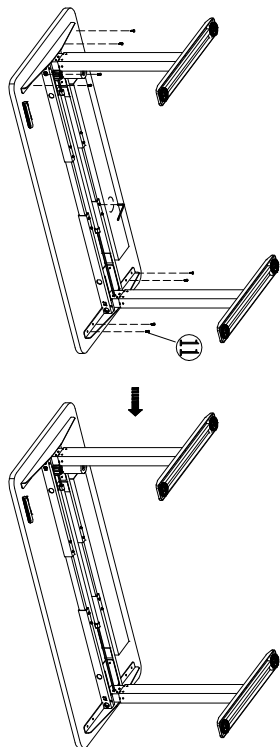


Step5:

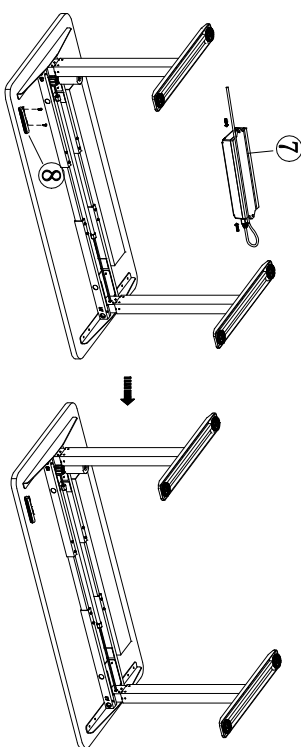
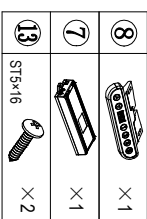
16		×12
17		×1



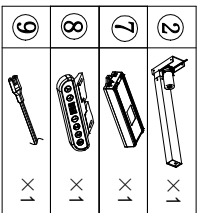
Step6:



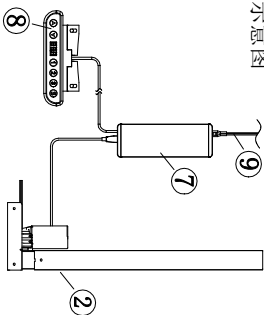
Step7:



Step8:



连接示意图



Operating Instruction

1. For the first time use or the desk is unbalanced or the LED displays the wrong height data, it needs to be reset. Press the UP key and DOWN key for 5 seconds, until the desk bounce back the lowest height displayed by the hand control, then release the key and reset done.
2. Press the UP key and the desk rises. Then release the key, and the desk stops moving.
3. Press the DOWN key and the desk goes down. Then release the key, and the desk stops moving.
4. After the motor stops working for 30 seconds, the LED screen will go out automatically and enter standby mode. Then you can press any key (except S key) to resume running.
5. How to store a position:
 - ① Press the UP or DOWN key to move the desk to the height you want.
 - ② Press S key, the display will flash for 5 seconds.
 - ③ Within these 5 seconds, press one of the memory/keys and the position will be stored.
 - ④ Use the same process to set up the other 2 memory positions. The 1, 2 and 3 keys on the hand control can store three different height position, and also can be used repeatedly. The height of the memory is still preserved in case of the power off.
 - ⑤ To recall your memory position: Press the memory key and hold it to reach your stored position.
6. Lower limit setting: While holding down the S key and the 1 key, the digital tube blinks and displays the real-time height. Press the UP or DOWN key to adjust to the minimum height required. Press S key and 1 key for 3 seconds to complete the setting.

7. Upper limit operation: While holding down the S key and the 2 key, the digital tube blinks and displays the real-time height. Press the UP or DOWN key to adjust to the maximum height required. Press S key and 2 key for 3 seconds to complete the setting.
8. Press and hold the S key and the 3 key simultaneously to switch the display unit (cm & inch).
9. Base height setting:
 - ① Press the down key to move the desk to the minimum height.
 - ② Press the down key 10 seconds to enter the basic height setting interface.
 - ③ press the up or down key to adjust the value (press the 3 key to shift), after adjusting the parameters, press 1 key and 2 key to complete the setting.
10. Anti-collision sensitivity setting: Press 2&3 key for 5 seconds at the same time, digital tube will be flashing, then press 1 or 2 or 3 or S key, to set anti-collision sensitivity accordingly: high, medium, low and default.
11. Lock settings: Press UP key and the S key for 5 seconds at the same time, the digital tube displays LOC, it is invalid for any keys at this time; if need to release the lock, press the UP key and S key for 5 seconds again.

Common fault approach:

fault phenomenon	handling method
After connected with power supply, no response when you keep pressing the up-, down button at the same time.	<ol style="list-style-type: none"> 1. Check whether the connection is normal 2. Contact your supplier or dealer
After connected with power supply, no response when you pressing the up-, down button. Nixie tube shows: E01/E02/E04/E05	<ol style="list-style-type: none"> 1. Check whether the connection is normal 2. Contact your supplier or dealer
If the desk rises slowly or doesn't moves upwards. nixie tube shows: E07/E08	<ol style="list-style-type: none"> 1. Check whether the desk load is over 120KG 2. Contact your supplier or dealer
If the desk is out of balance, nixie tube shows: E10	<ol style="list-style-type: none"> 1. Keep pressing down button until reset is finished 2. Keep pressing the up-, down button at the same time
If the nixie tube shows: "HOT" (2 minutes on, 18 minutes off)	<ol style="list-style-type: none"> 1. Pause for 18 minutes before using 2. Power off 10 seconds then use it.
The desk keep going down	<ol style="list-style-type: none"> 1. Check whether the desk load is over 120KG 2. Contact your supplier or dealer
The desk only goes down	<ol style="list-style-type: none"> 1. Reset again 2. Contact your supplier or dealer
Motor action is not according to customer requirements	<ol style="list-style-type: none"> 1. Contact your supplier or dealer
If the nixie tube shows: "LOC"	<ol style="list-style-type: none"> 1. When screen shows LOC alert, press UP and S key at same time

Cautions:

1. Product use according the technical parameters.
2. Do not expose to sunlight or use in high temperature environment, for indoor use only.
3. Pls keep away from corrosive gas and dusty environment, and also pay attention to water.
4. Non-professionals are not allowed to disassemble this product to prevent electric hazards.
5. Children are not allowed to play on the desk. When children playing on the product, the behavior is unpredictable and manufacture are not responsible for the Dangerous consequences.
6. Operate with knowledge of related hazards. Children aged eight or above and with Physical impairment, mentally handicapped people should be used under correct supervision and guidance.
7. When children without supervision, users shall not clean and maintain the product.
8. If the power cord is damaged, it must be replaced by the manufacturer or the relevant professional to avoid injury.
9. Make sure your operating environment without hazard for example, don't throw your tools anywhere. And always be careful with packing materials, to avoid all possible dangers, if children play with plastic bag, posing a risk of strangulation.
10. Please keep the original packaging of the equipment, if necessary, to be used for future transportation.

