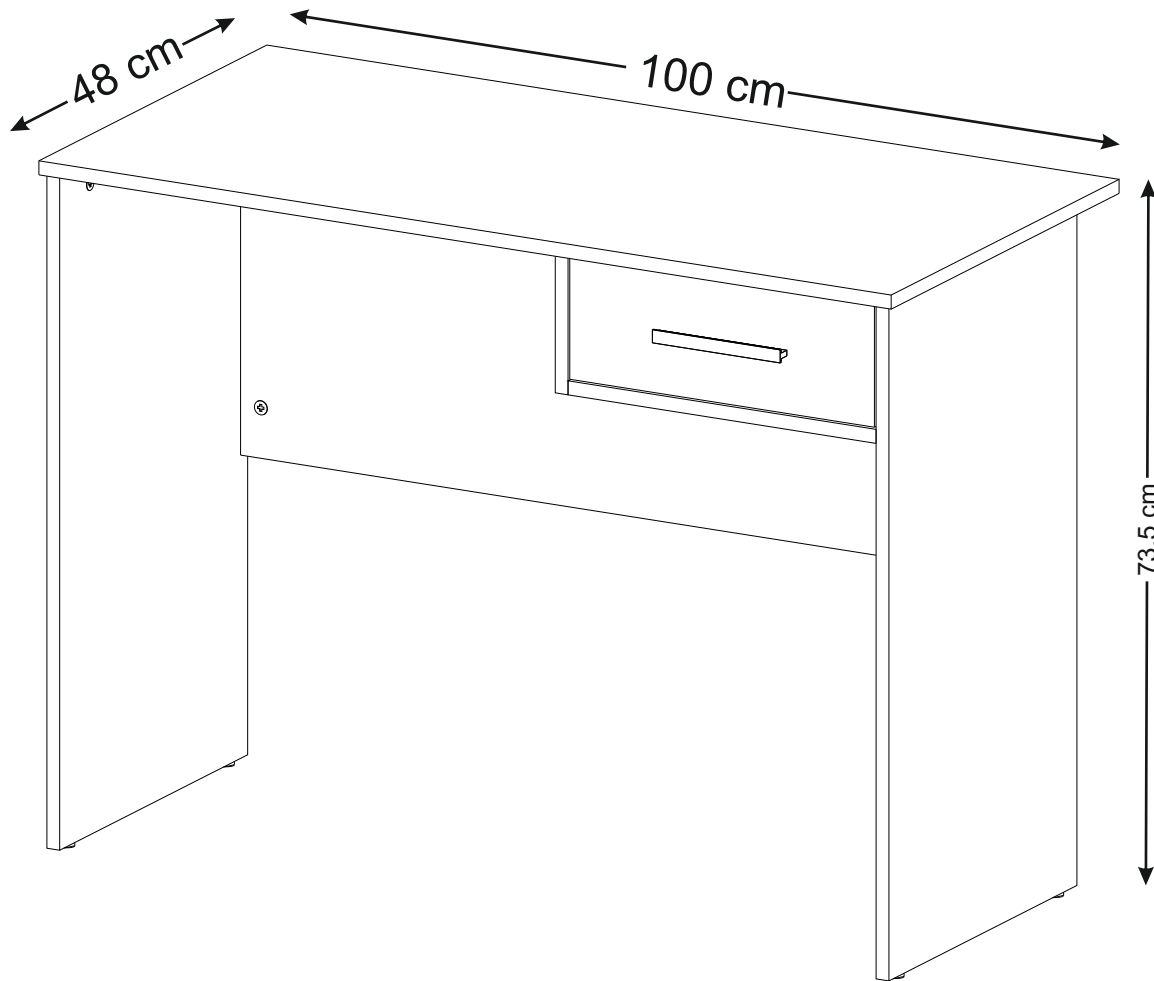


LIVING & CO[®]

Tākiwira Desk



INSTRUCTION MANUAL



Maximum recommended drawer weight, 15kgs



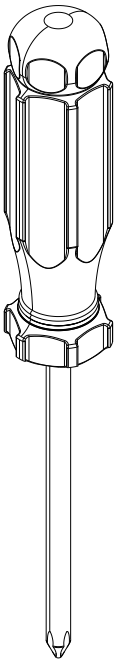
5 YEAR
WARRANTY

Job no.

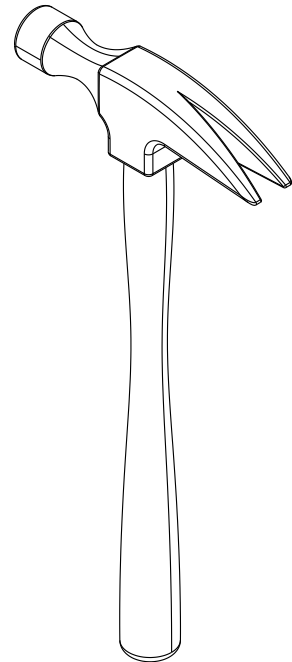
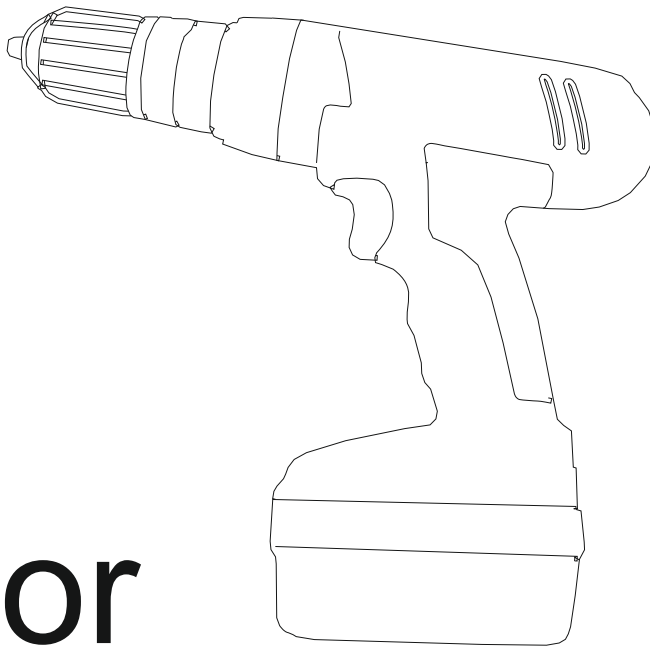
ASSEMBLY DETAILS:

<p>60 Min</p> <p>Approximate Assembly Time</p>	<p></p> <p>1 Person Assembly</p>	<p>Floor Area 3m x 2m</p> <p></p> <p>Required Assembly Space</p>
---	---	---

TOOLS REQUIRED:



or



Tips before you start

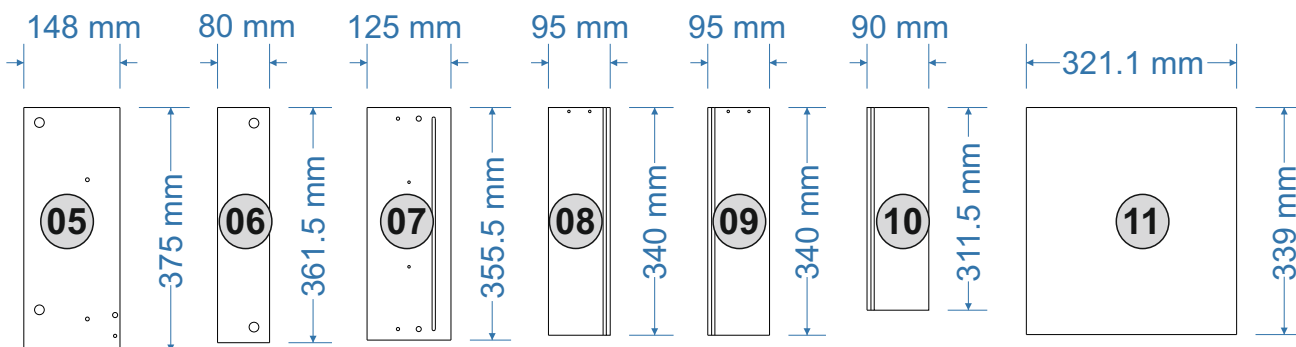
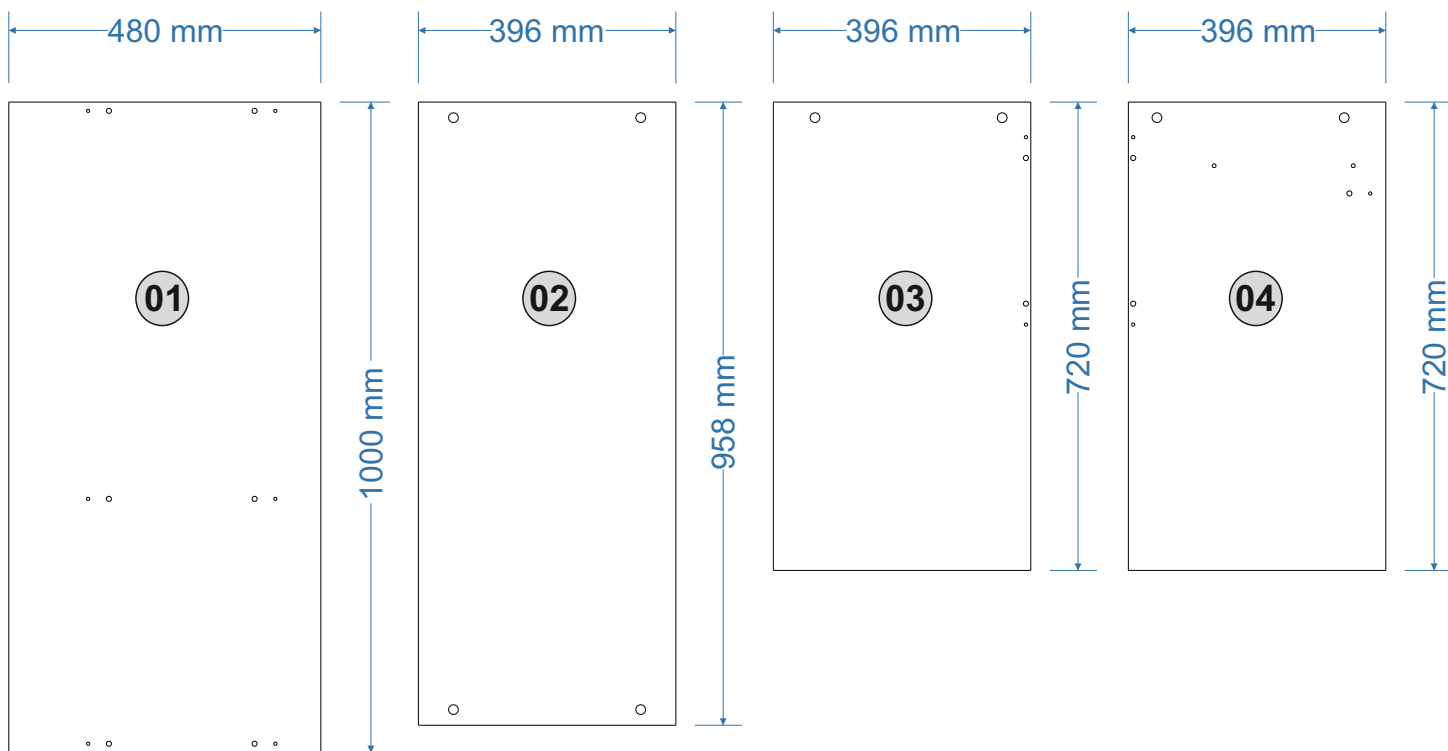
1. For the protection of your furniture, we recommend that the product is placed on a protected surface during assembly to prevent damage
2. Please check that all parts are present before you start the assembly of your furniture
3. For ease and speed of assembly, we recommend that you identify all the parts required for each step before commencing with assembly
4. For larger items, please ensure that you have sufficient space (as indicated on page 1)
5. We recommend that, where possible, all items are assembled near to the area in which they will be placed in use, to avoid moving the product unnecessarily
6. During Assembly, please take care not to over-tighten hardware as this may damage the product
7. Always place the product on a steady and stable surface
8. Do not use the product as a stepladder
9. This product is intended for indoor, household use only as it is a non-industrial product

Care and Maintenance

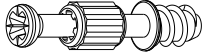




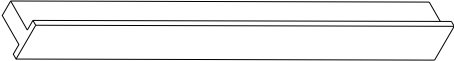
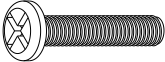

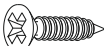
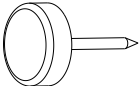

- ✓ Please periodically check all fittings and re-tighten as necessary
- ✓ To clean your item, please use a damp cloth and wipe clean
- ✓ Never allow any kind of liquid on your furniture
- ✓ Please do not place hot items (e.g. Hot drinks) directly on to the surface

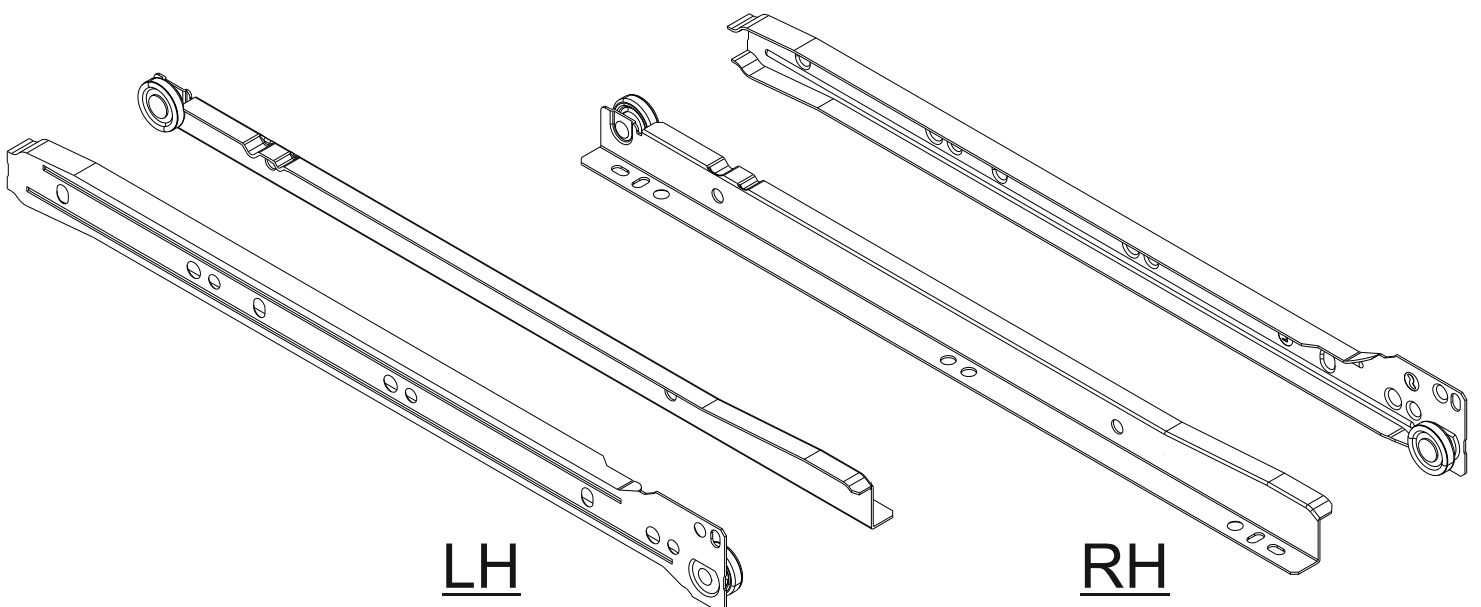
Parts List

QTY	PART NO	PART	MEASUREMENTS	NOTES
1	01	Top	1000 x 480 x 15mm	Laminate on one side.
1	02	Modesty	958 x 396 x 15mm	Laminate on both side.
1	03	LH End	720 x 396 x 15mm	Laminate on both sides.
1	04	RH End	720 x 396 x 15mm	Laminate on both sides.
1	05	Division	148 x 375 x 15mm	Laminate on both sides.
1	06	Rail	361.5 x 80 x 15mm	Laminate on both sides.
1	07	Drawer Front	355.5 x 125 x 15mm	Laminate on front side only.
1	08	LH Drawer Side	340 x 95 x 12mm	Laminate on both sides.
1	09	RH Drawer Side	340 x 95 x 12mm	Laminate on both sides.
1	10	Drawer Back	311.5 x 90 x 12mm	Laminate on one side.
1	11	Drawer Bottom	321.1 x 339 x 4mm	Laminate on one side.



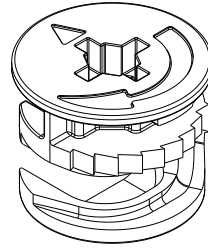
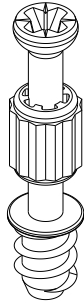
HARDWARE LIST

PART	CODE	QUANTITY	IMAGE
Connecting Bolt Screw	102649	16	
15mm Cam	102511	14	
12mm Cam	102510	2	
Black 8 x 30mm Dowel	102515	10	
31mm Wood Screw	102645	4	
Handles	106091	1	
Knob Screw	102634	2	
Euro Screw	102652	4	
13mm Small Drawer Slide Screw	102642	4	
Black Nail On Glide Foot	102498	4	
Stick-on Cam Covers	109423	8	
Black Drawer Runner Set	102480	1	

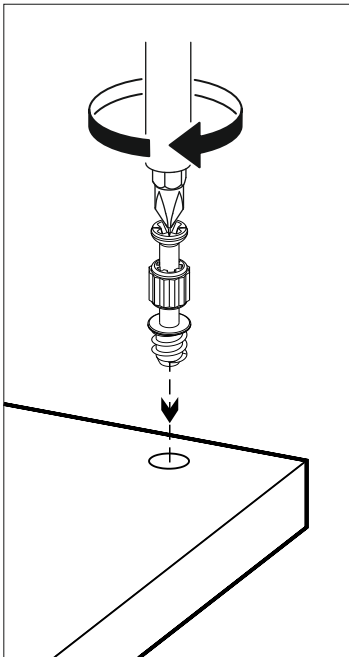


ATTENTION !!

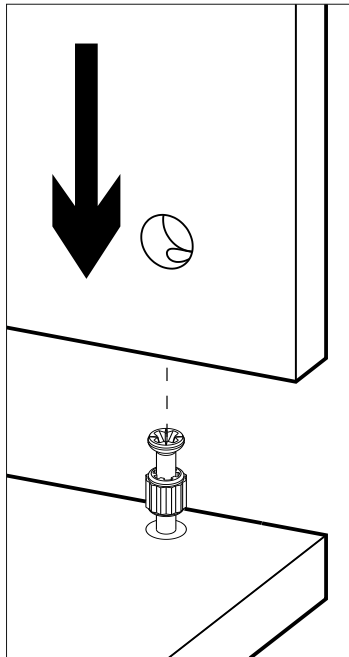
Minifix is the main connection material used in our products.
Before starting assembly, please check the drawings below.



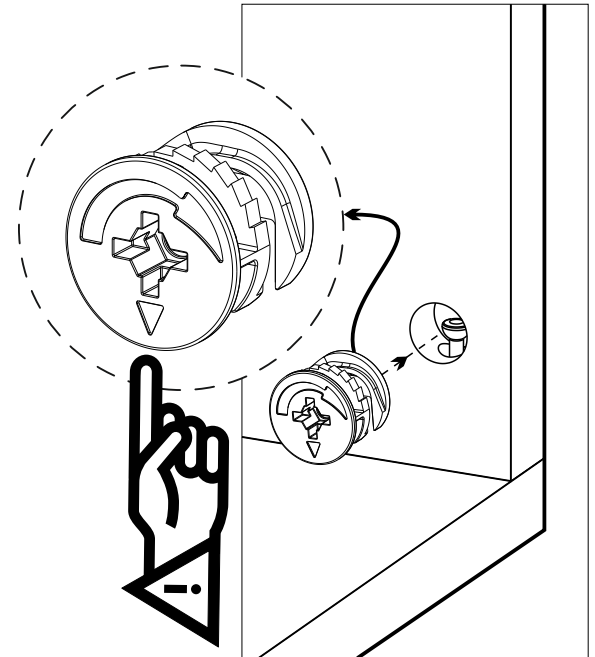
1



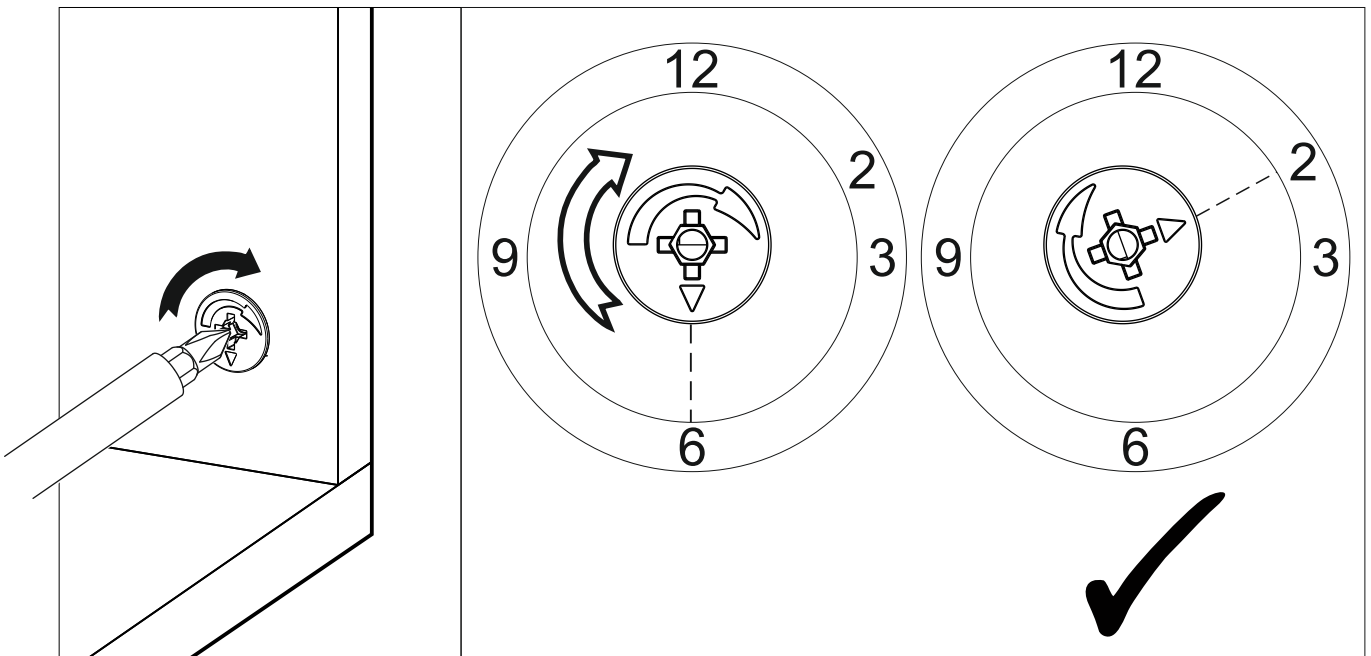
2



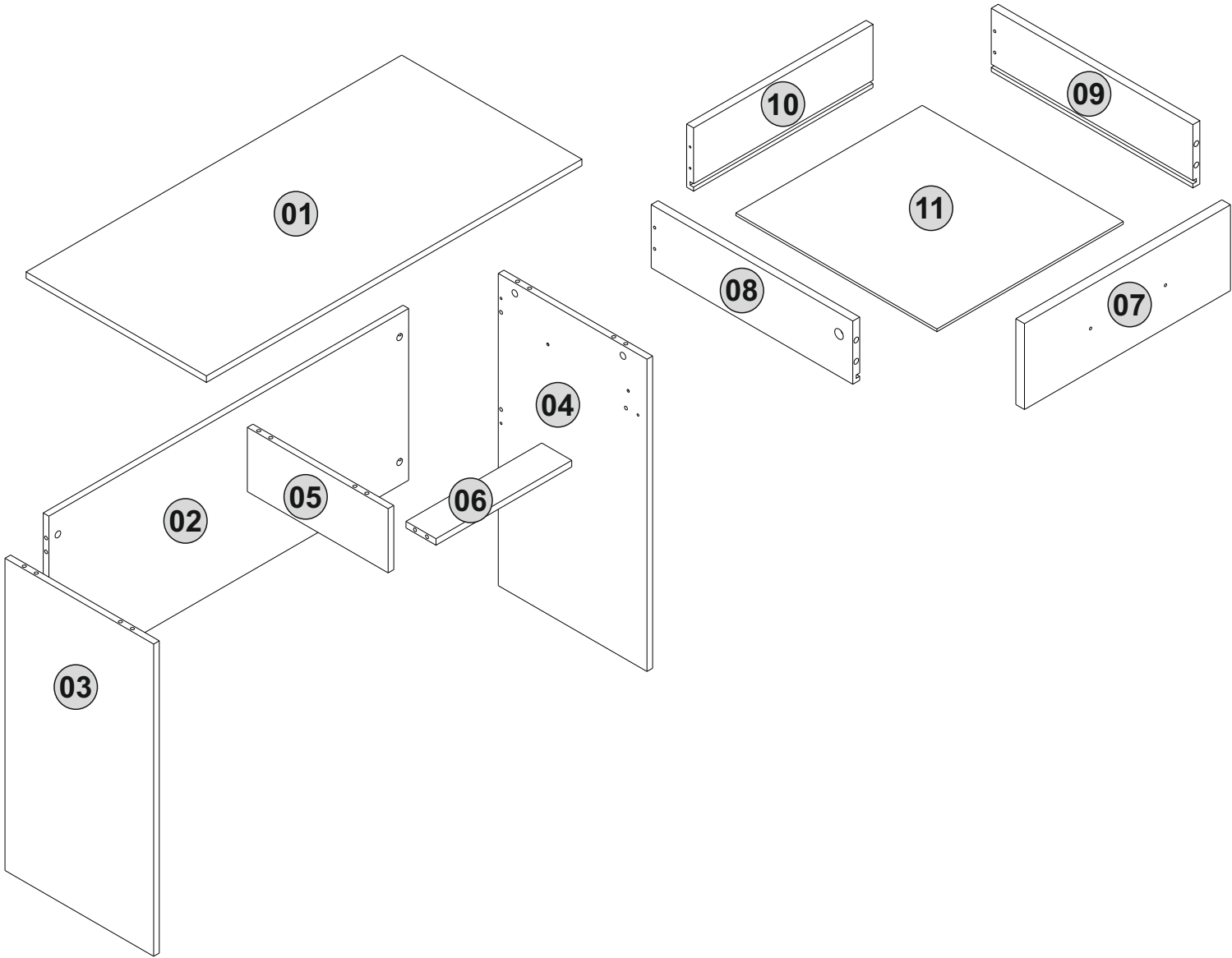
3



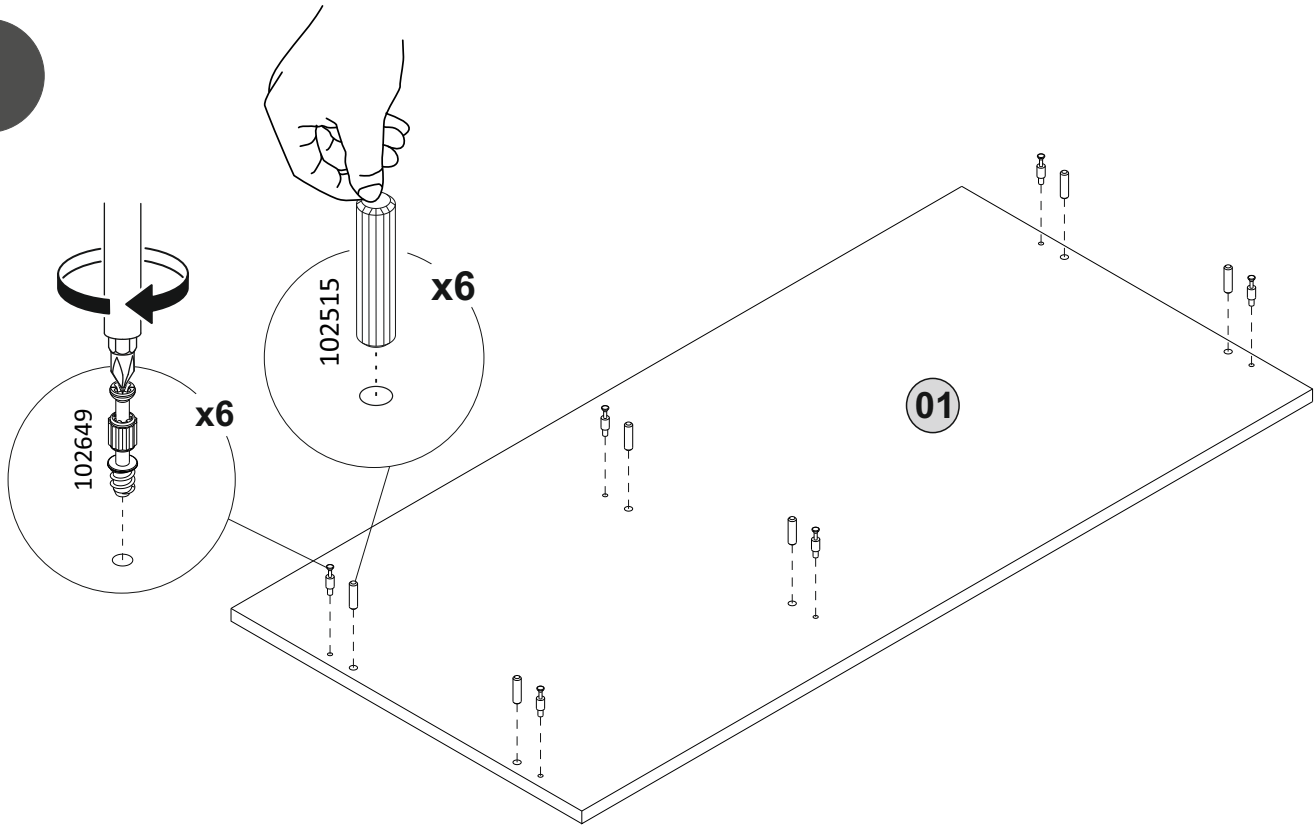
4



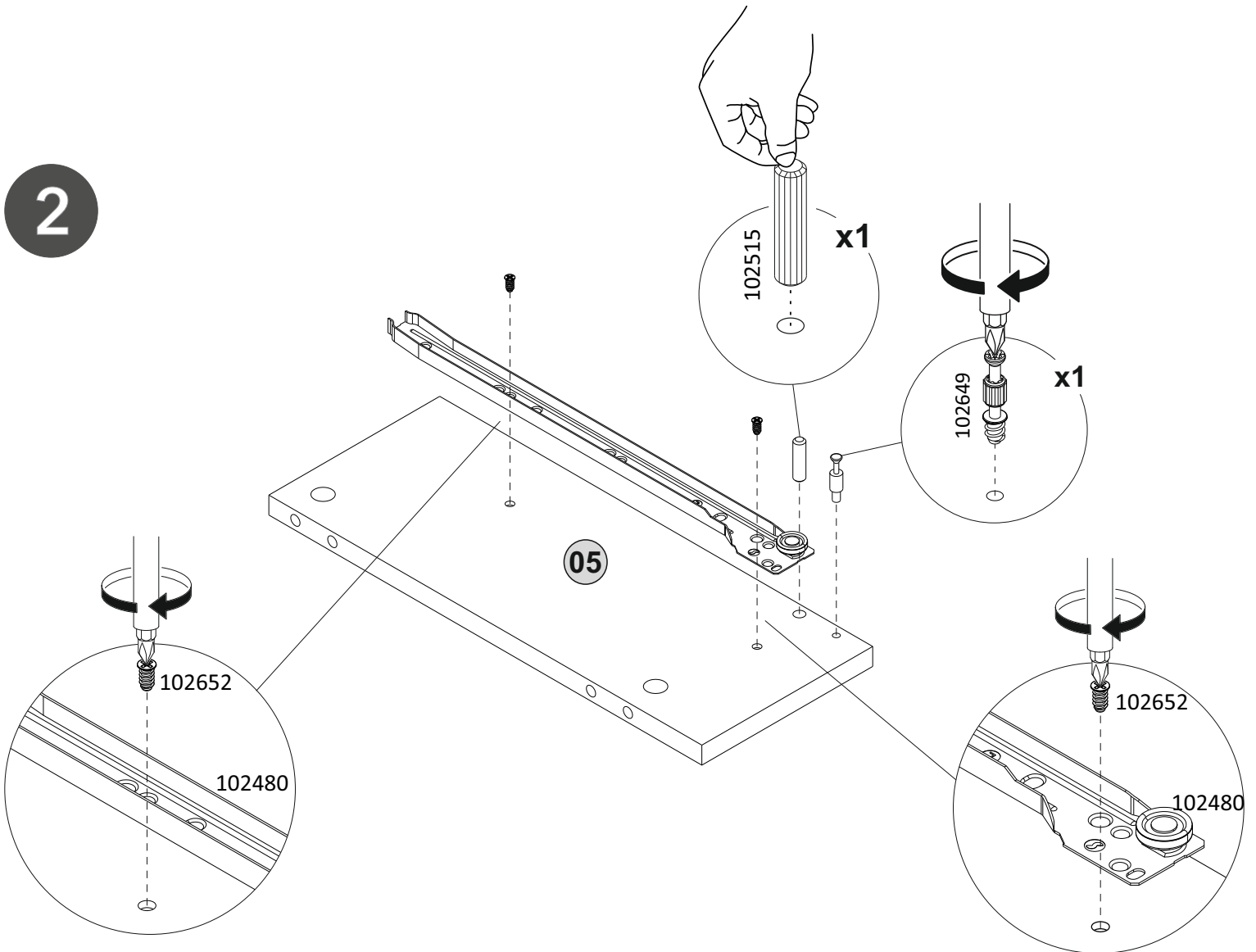
PART LIST



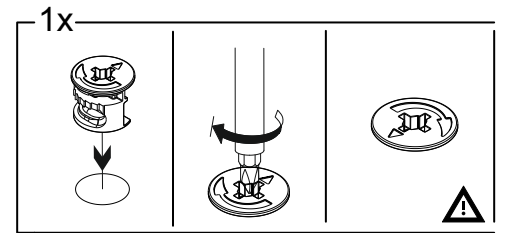
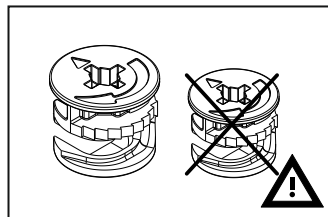
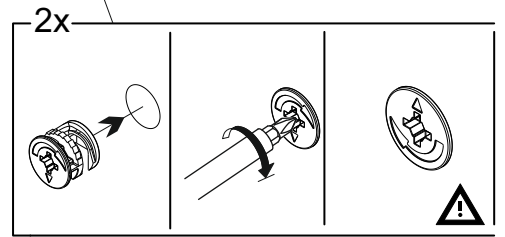
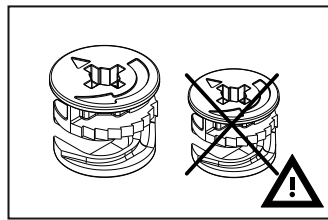
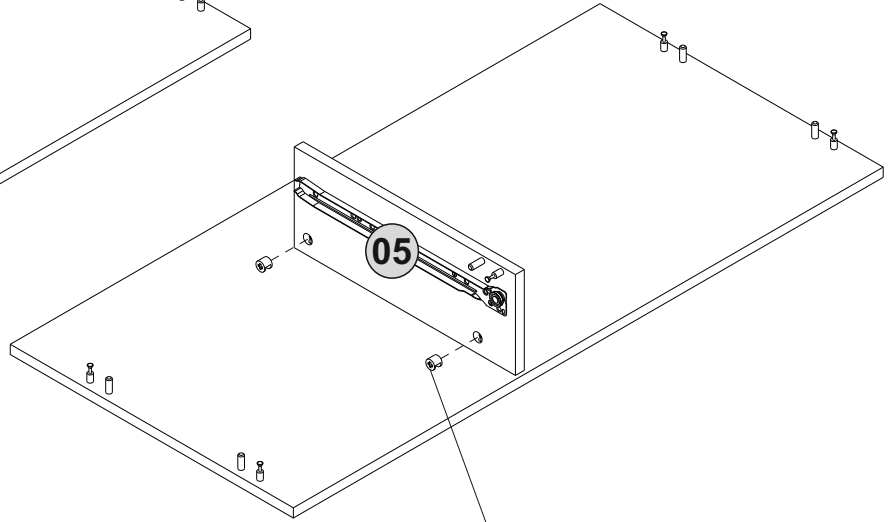
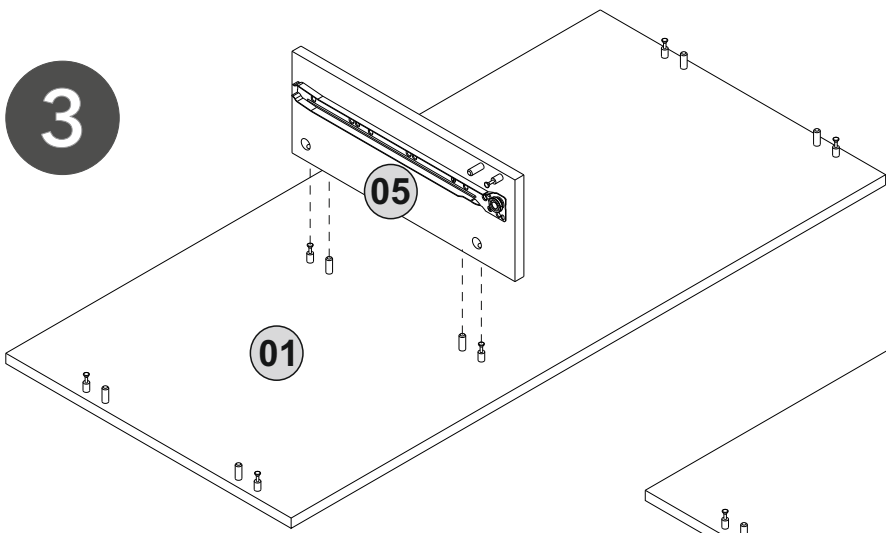
1



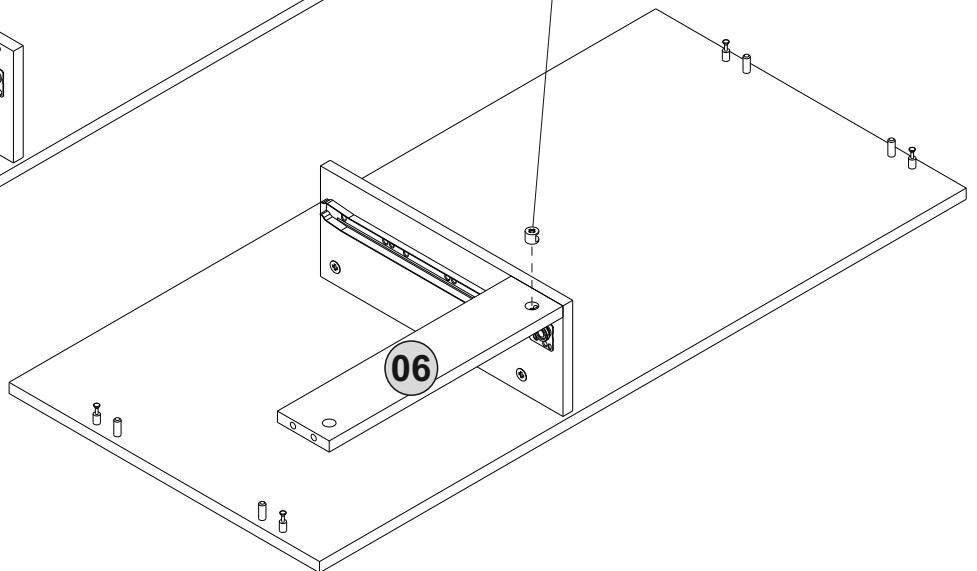
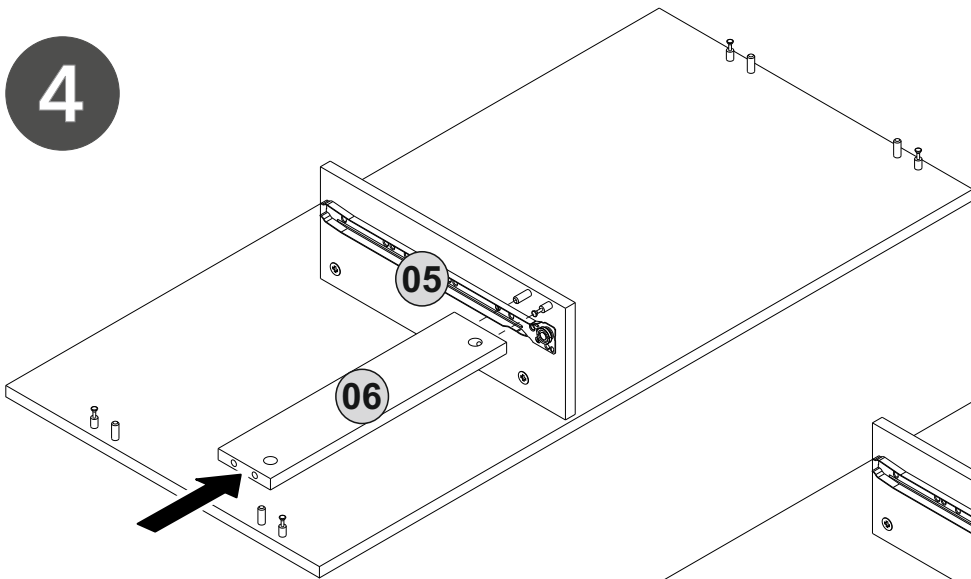
2



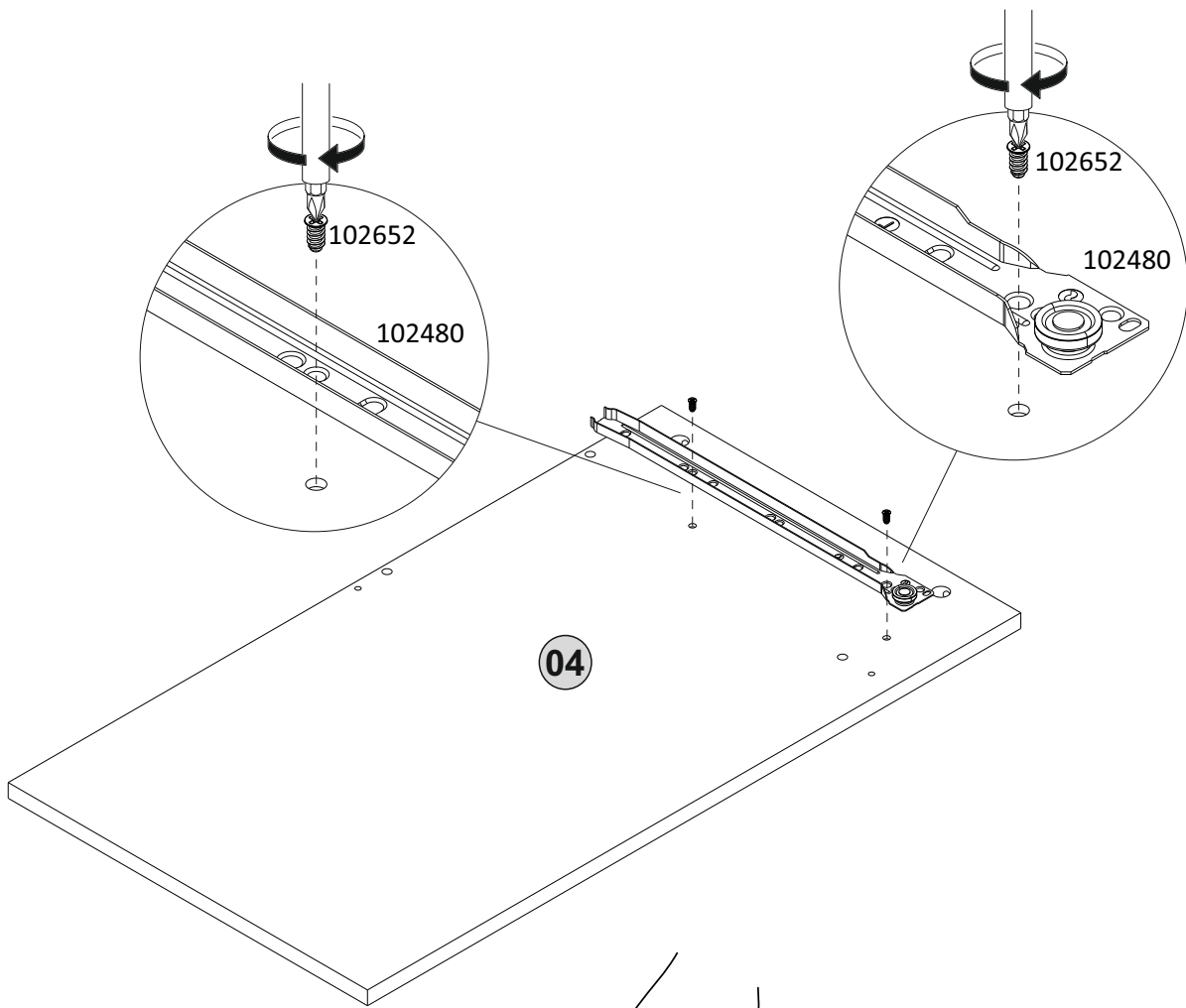
3



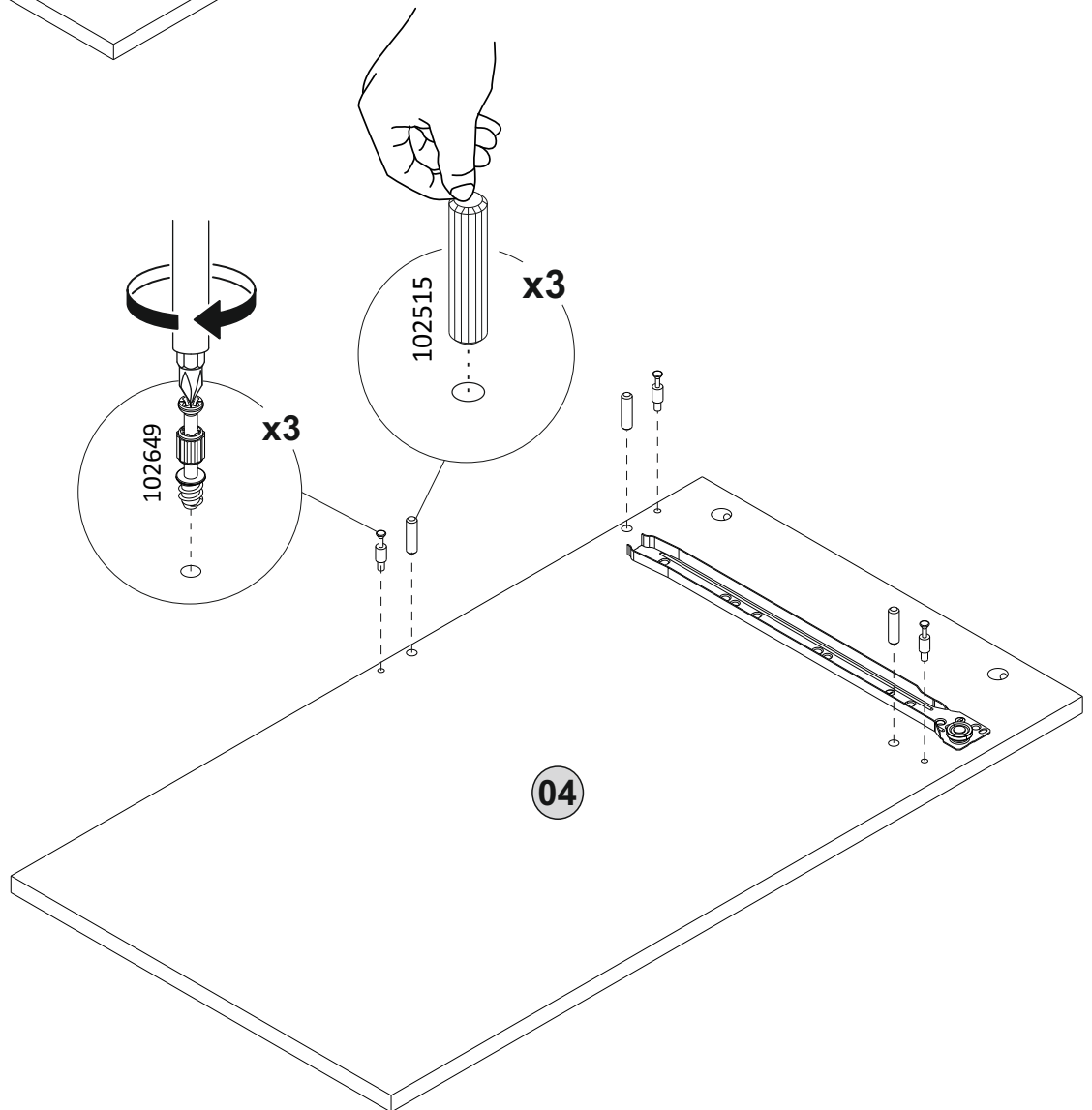
4



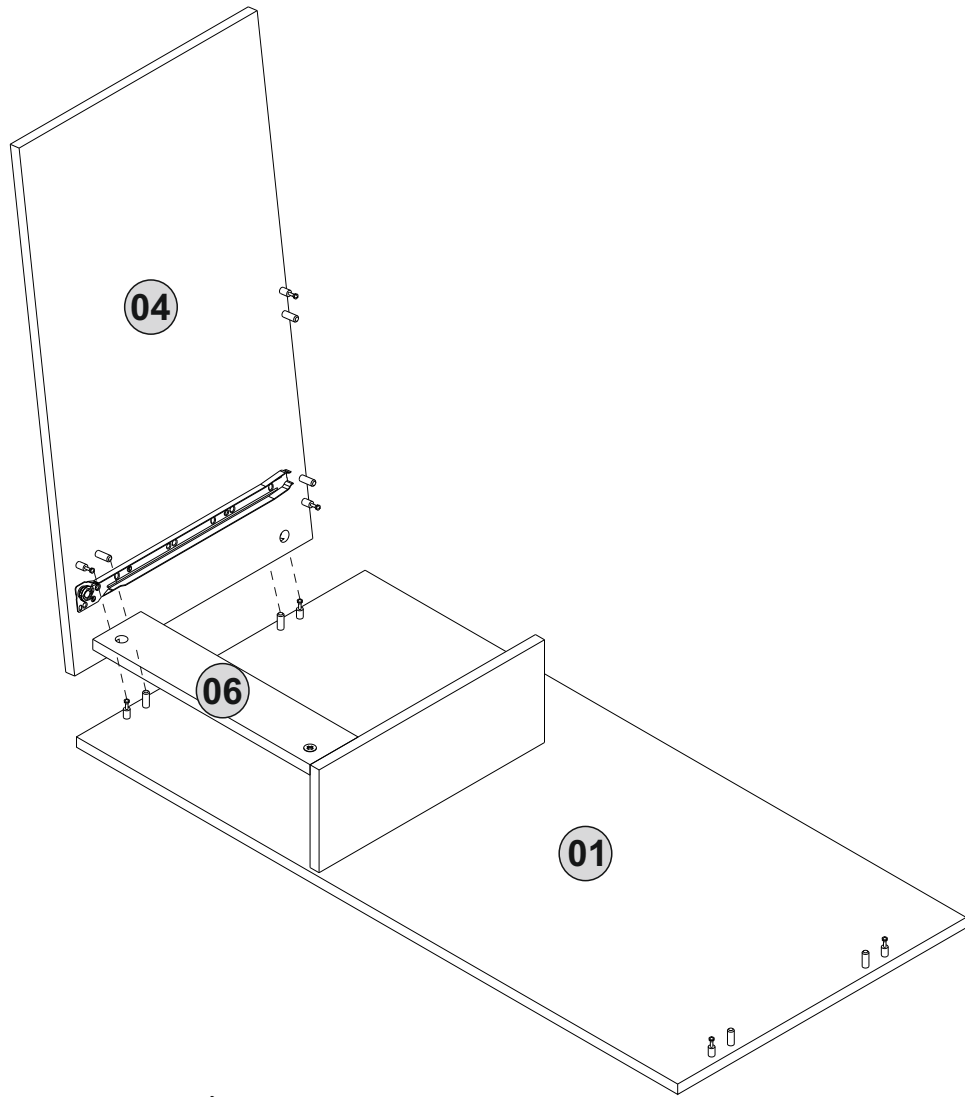
5



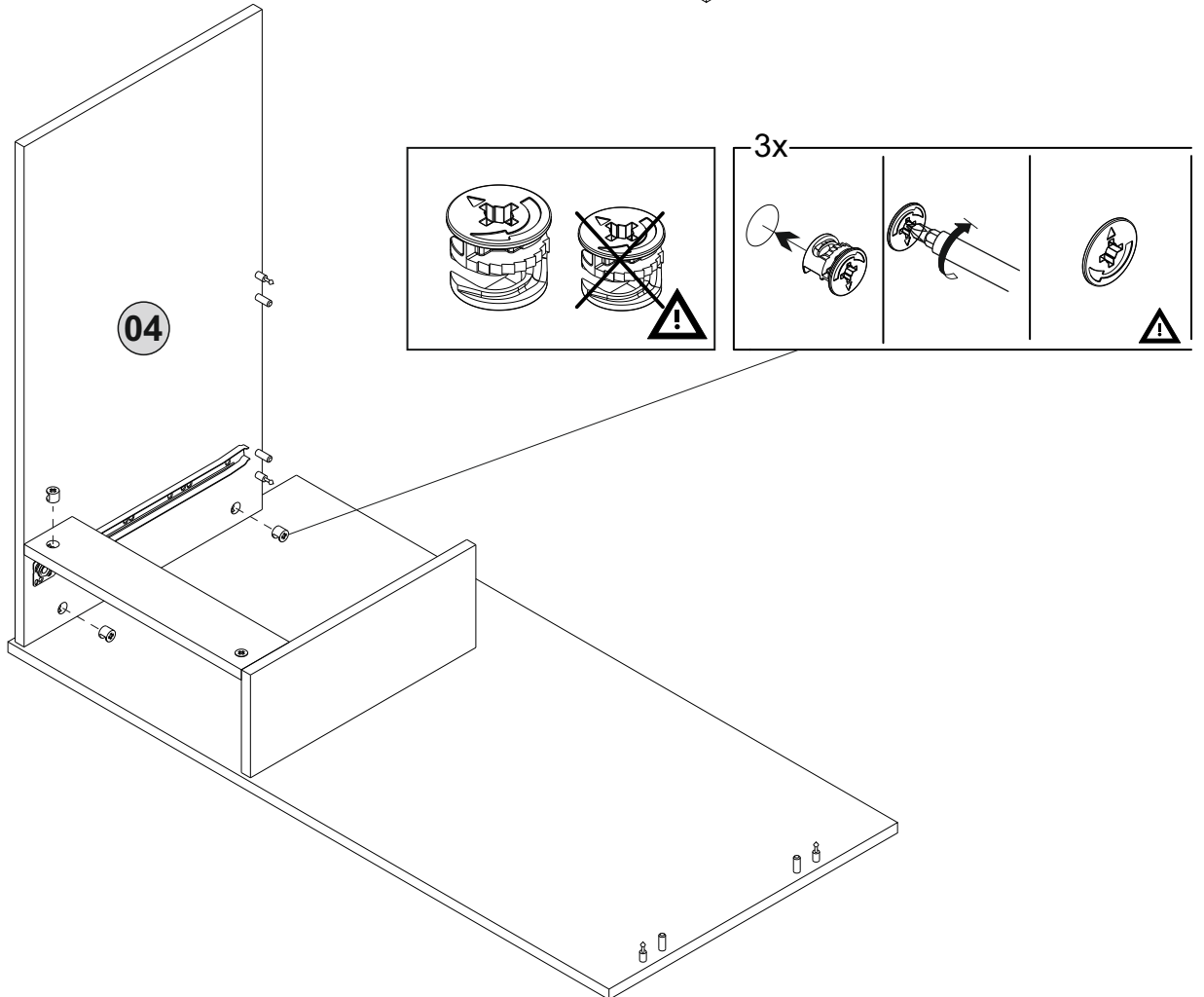
6



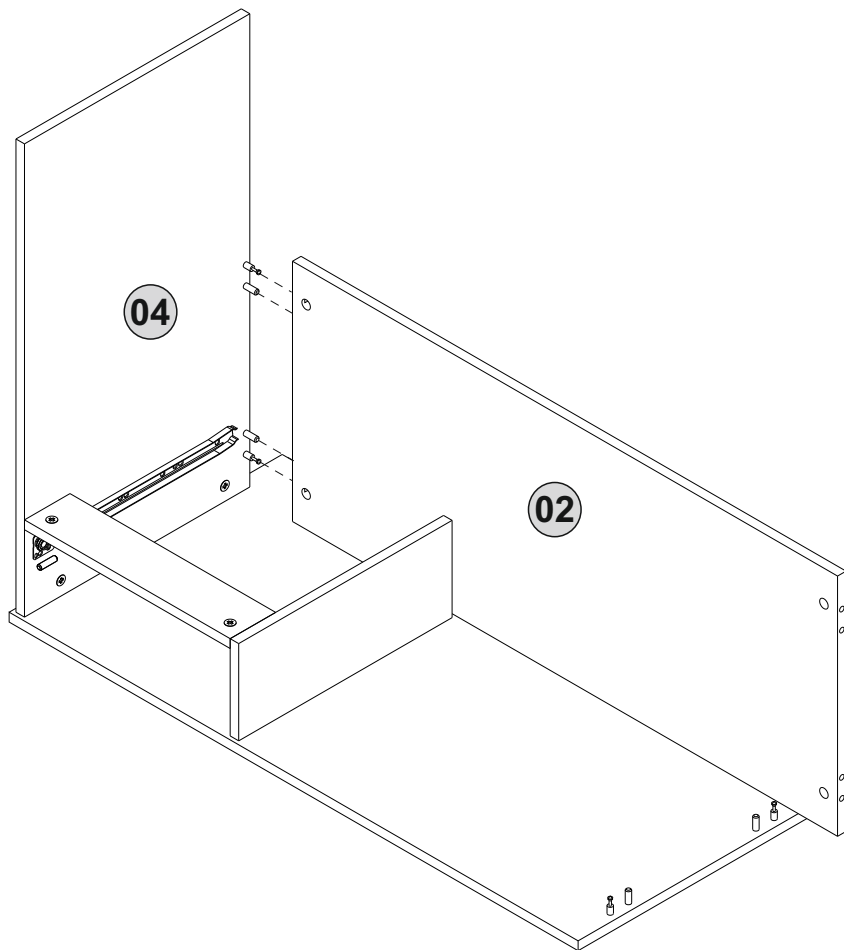
7



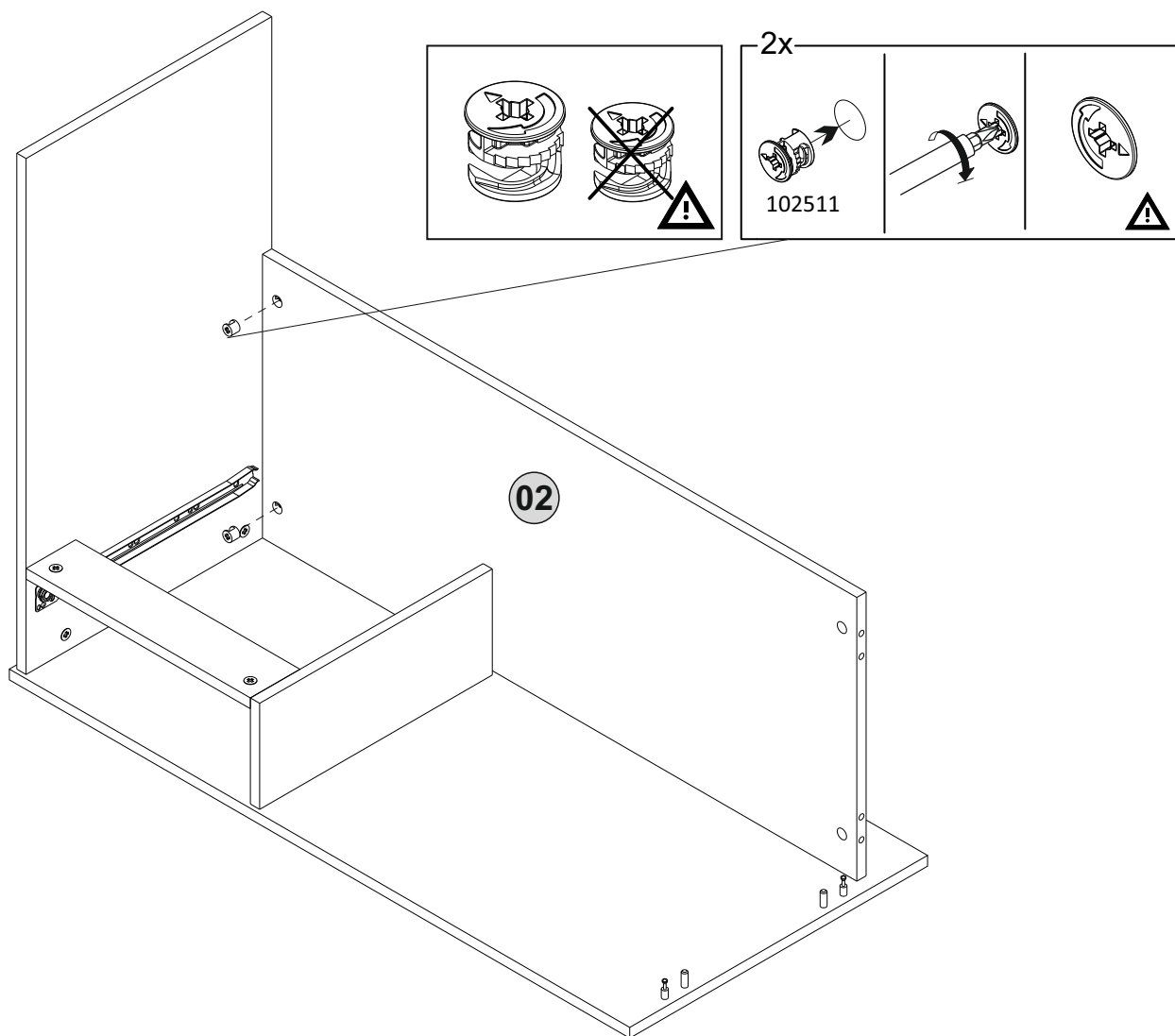
8



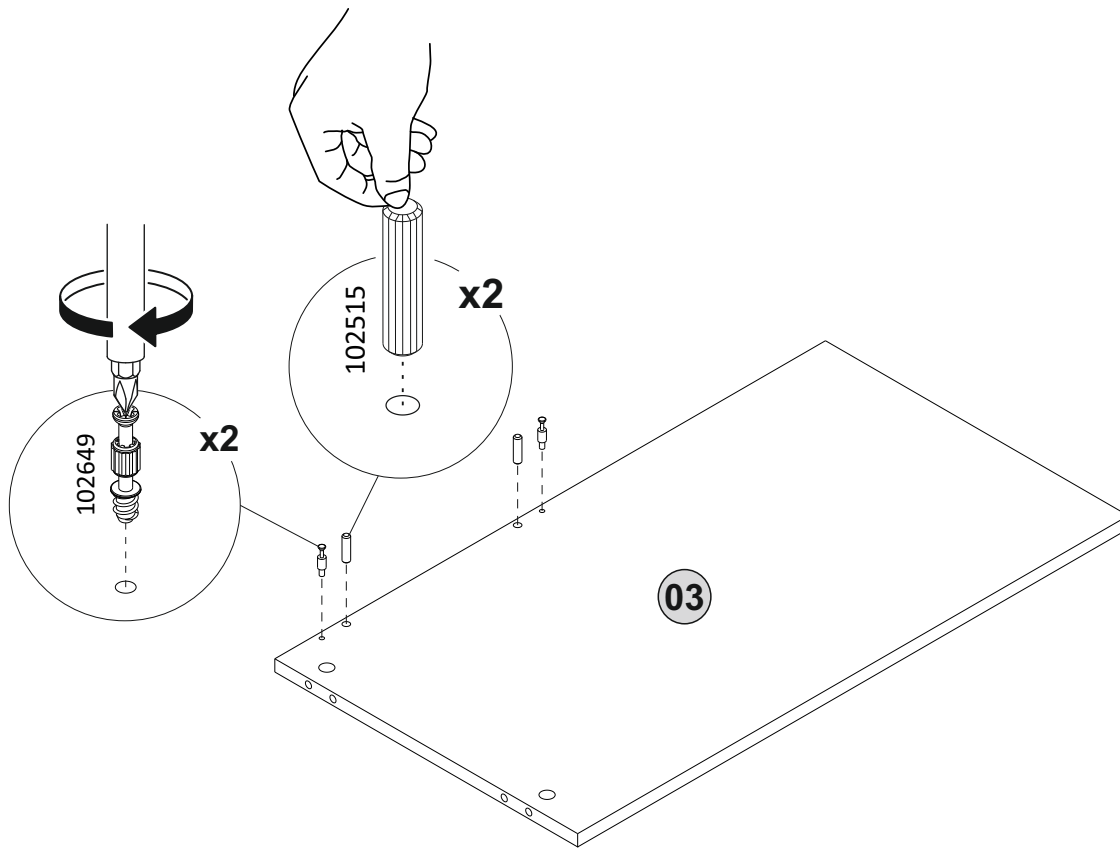
9



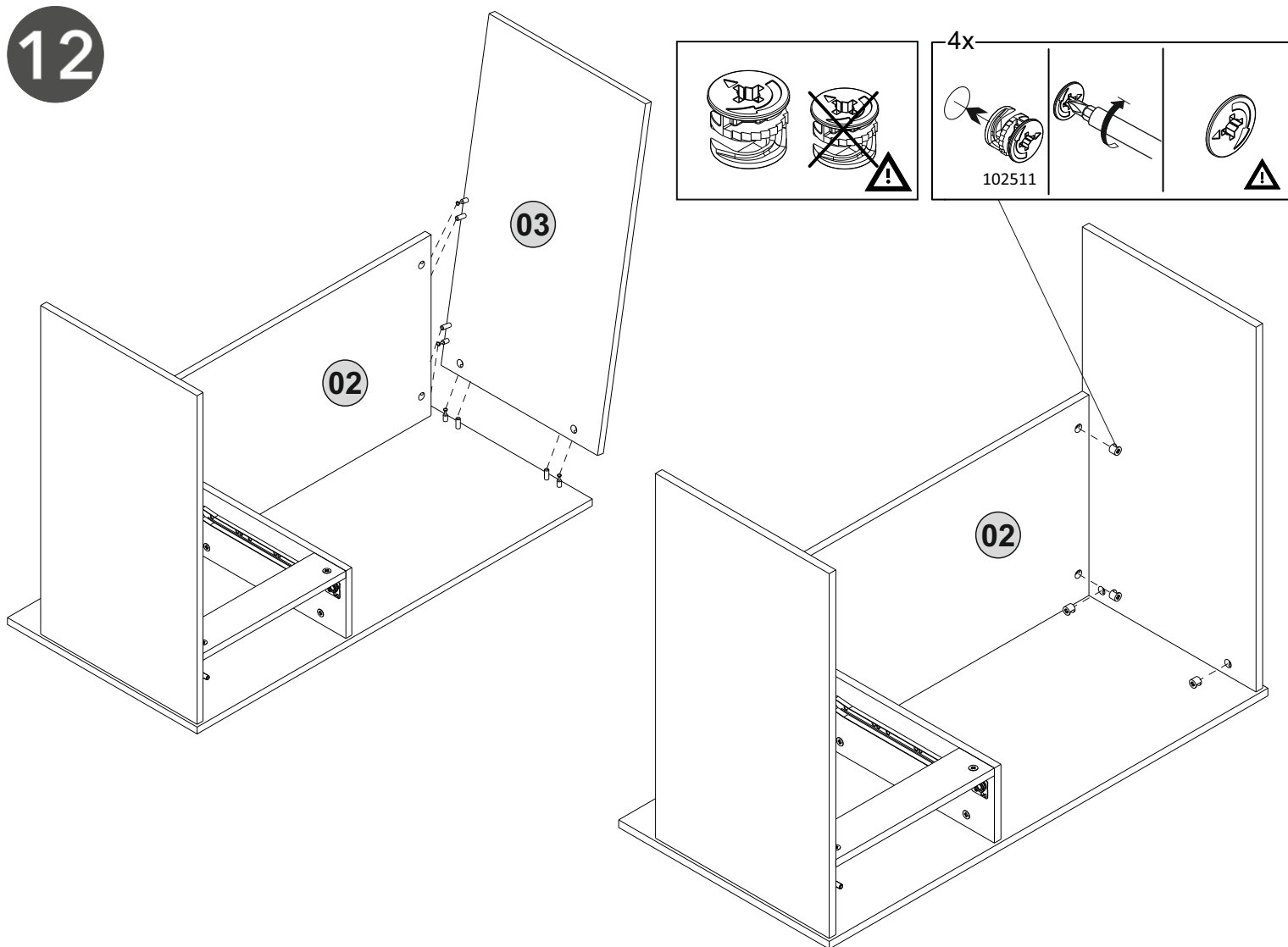
10



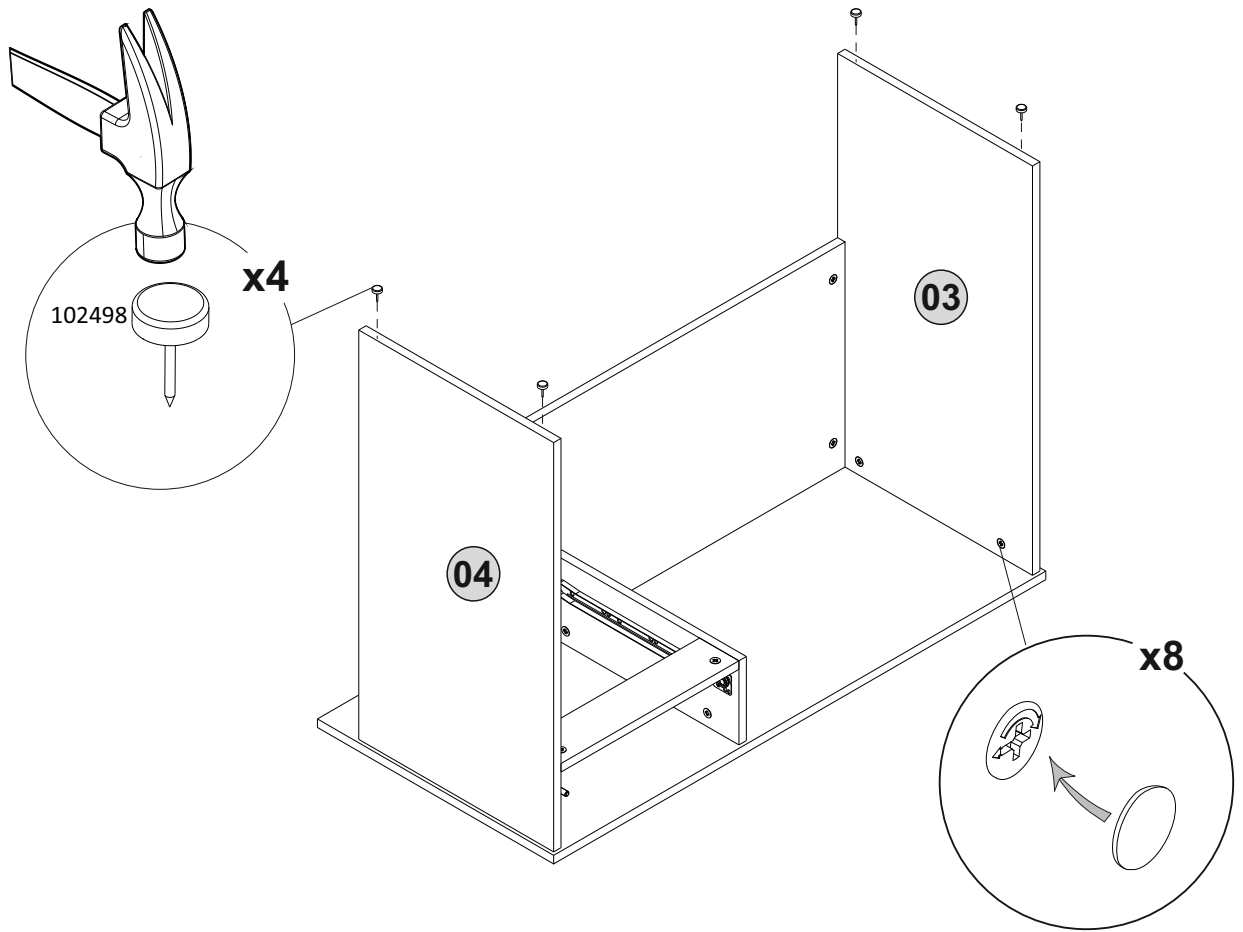
11



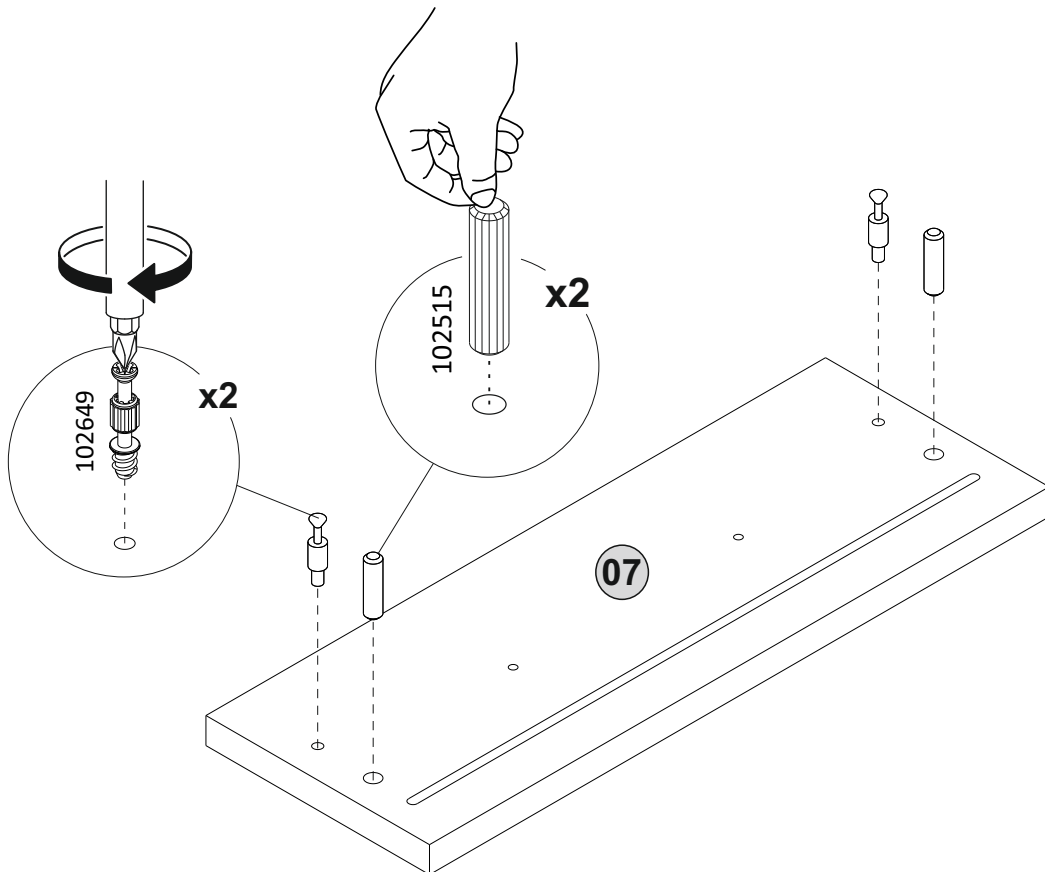
12



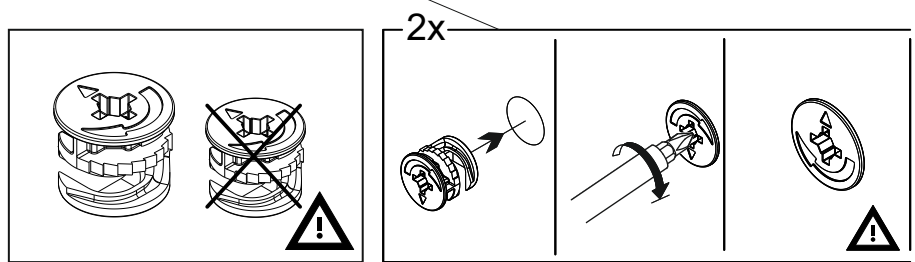
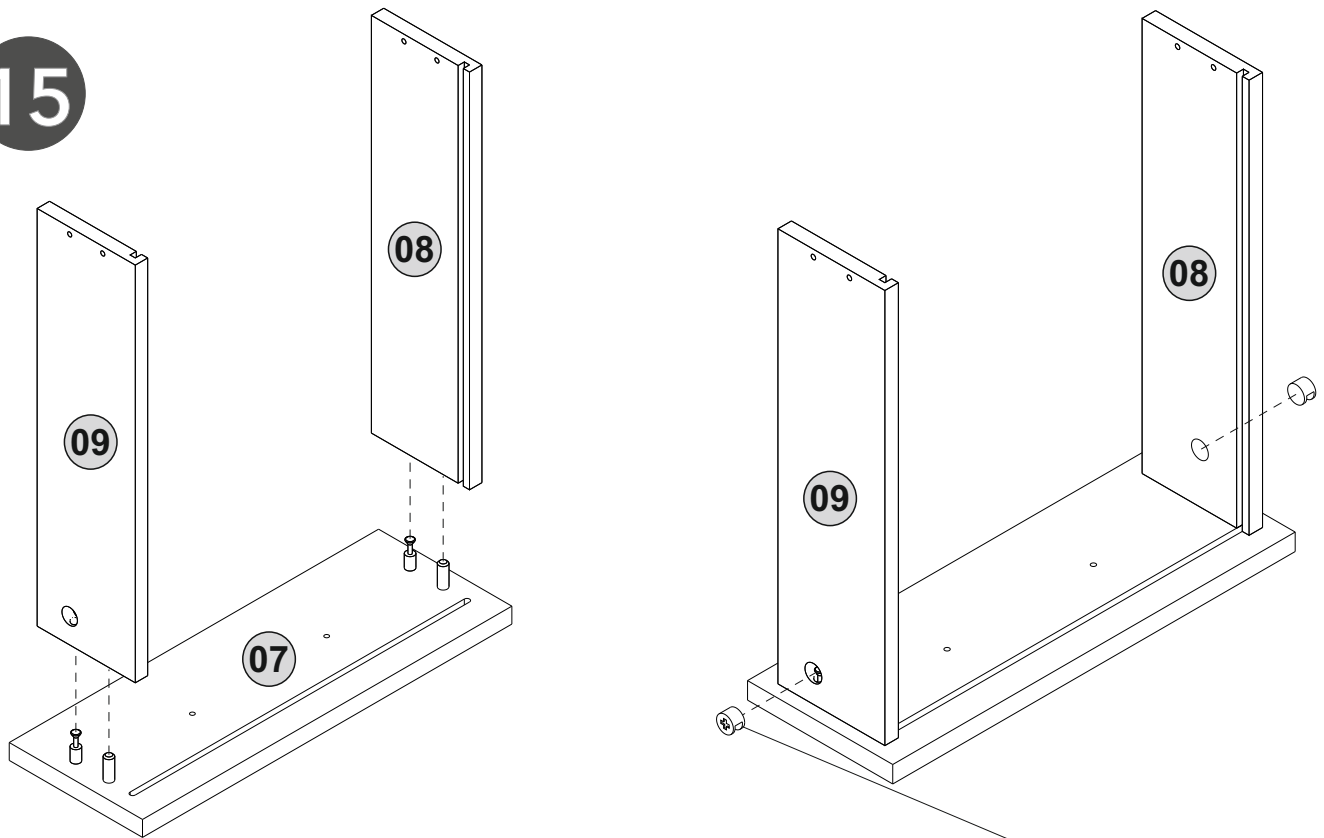
13



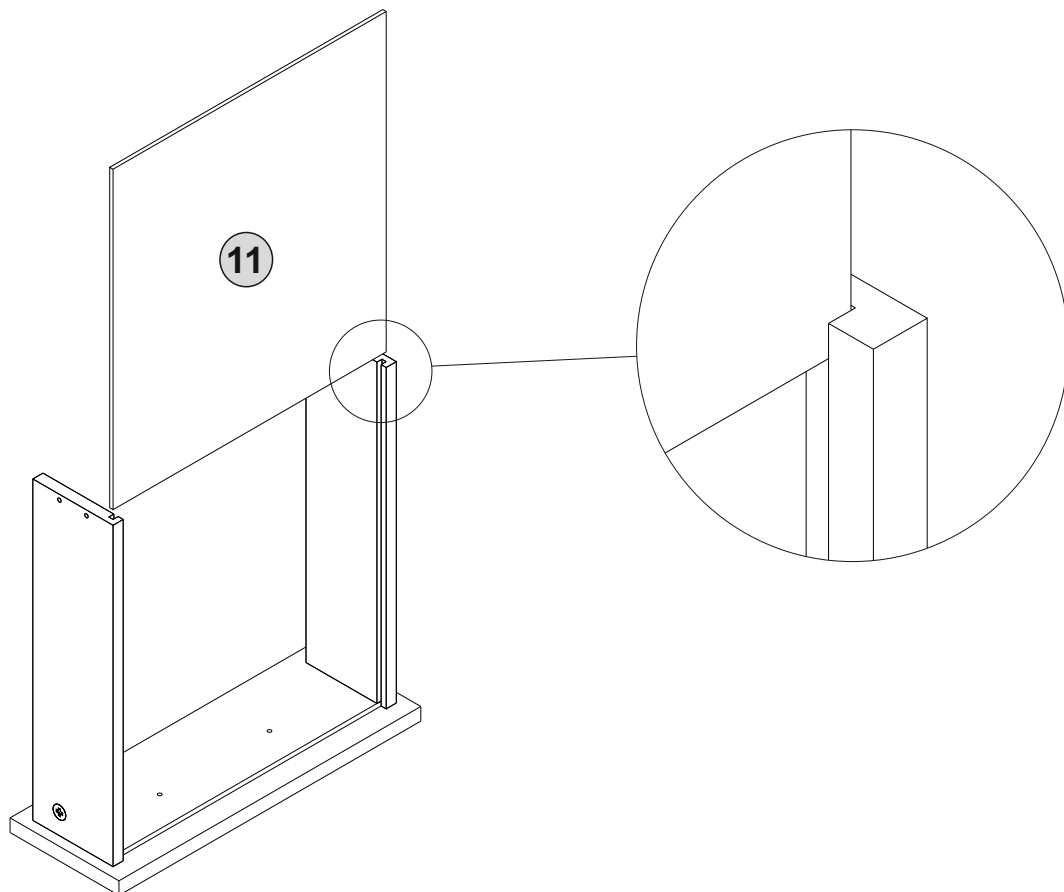
14



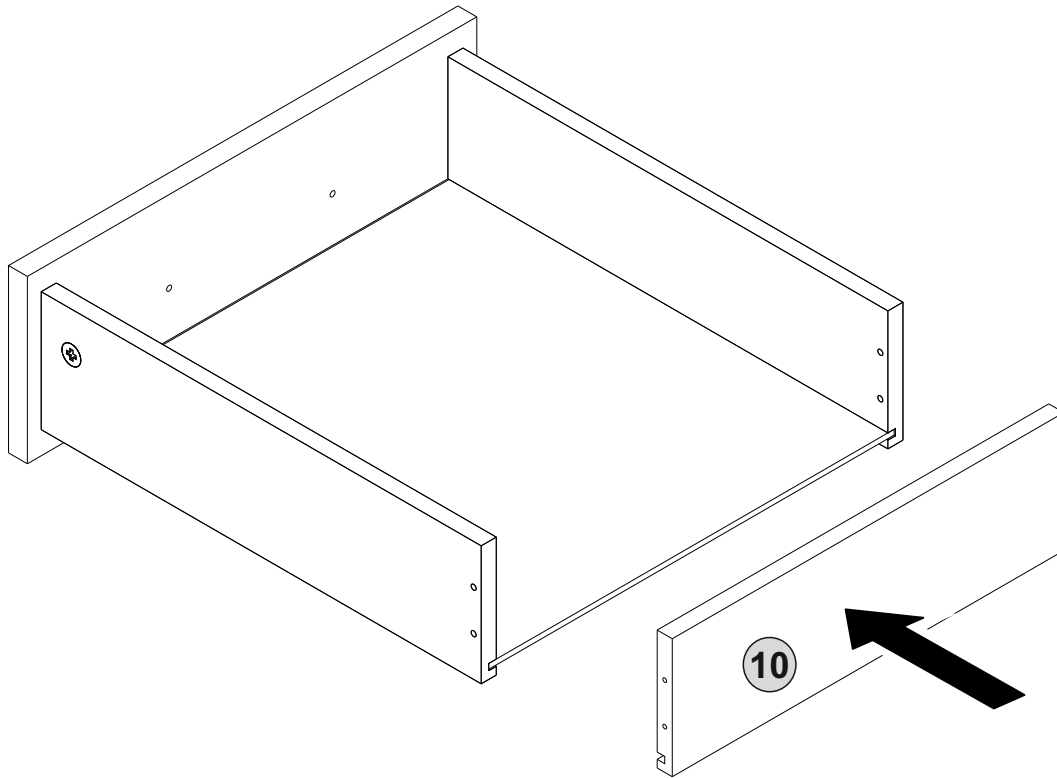
15



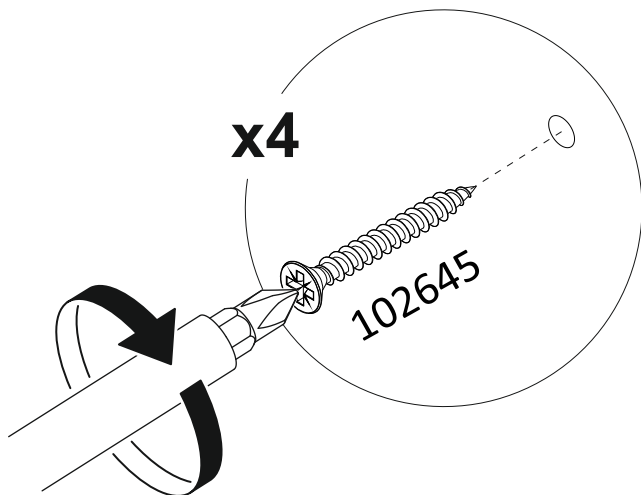
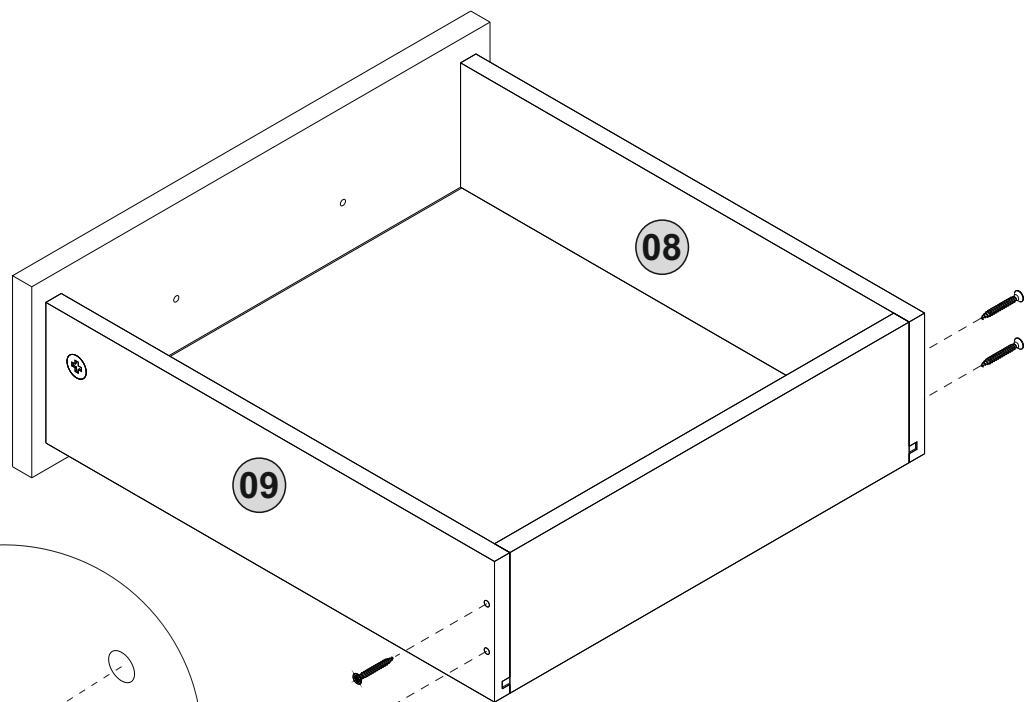
16



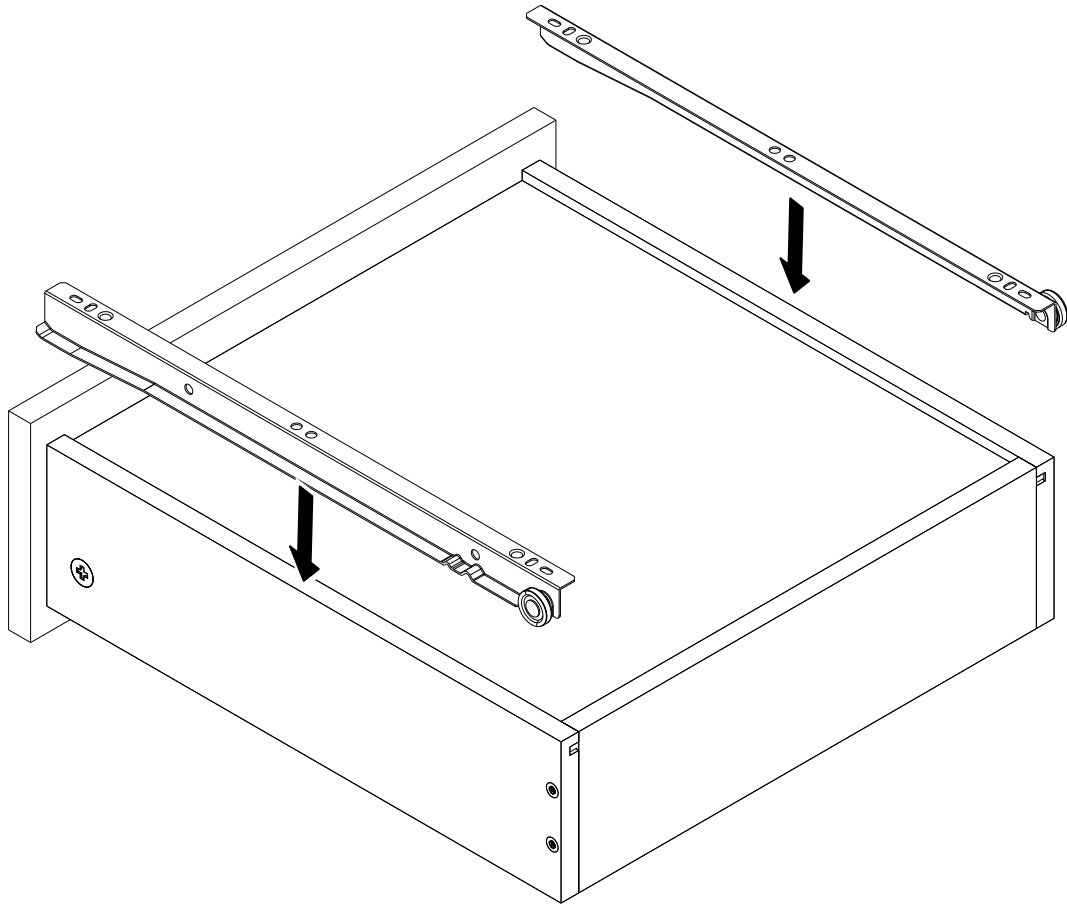
17



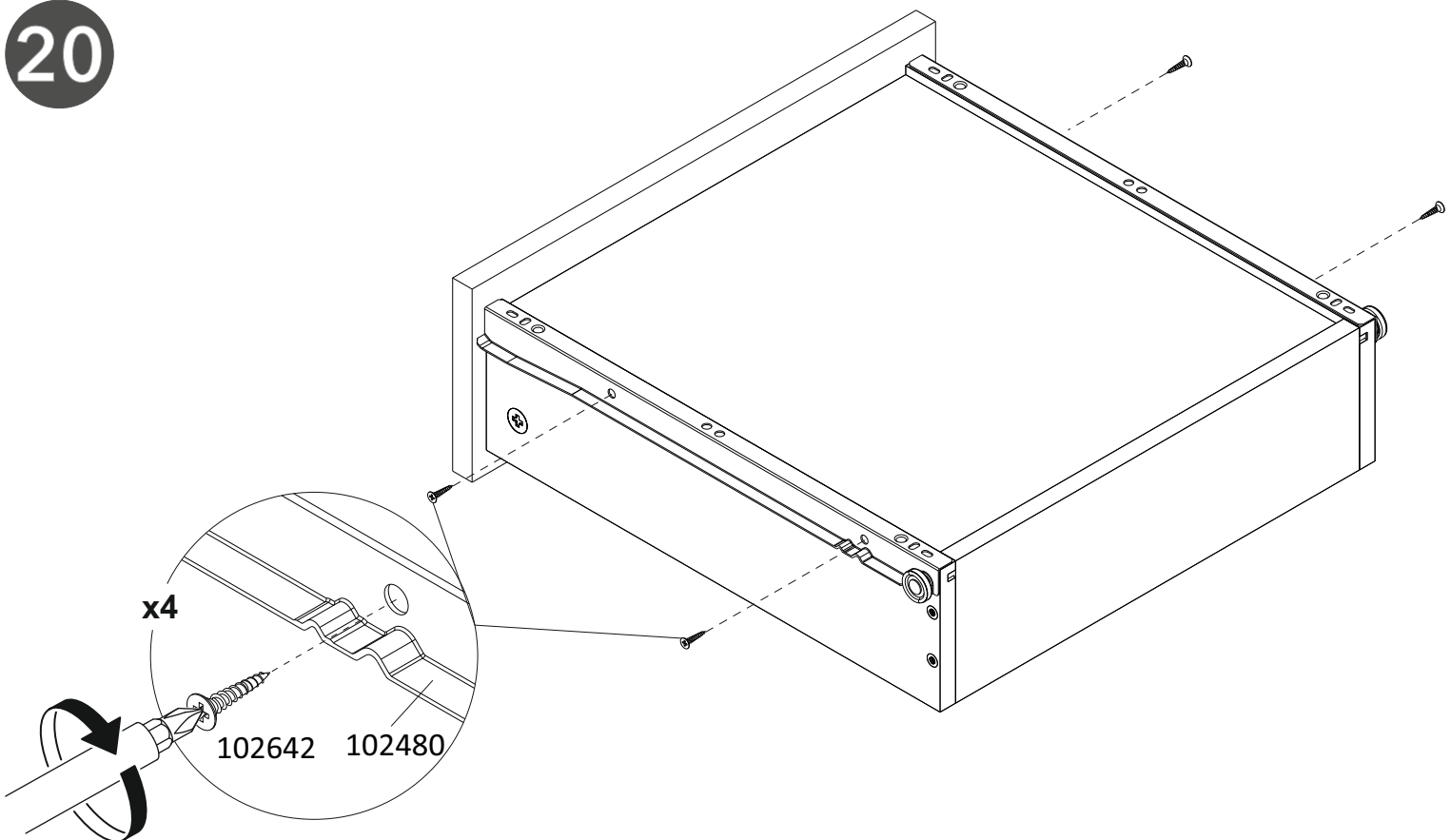
18



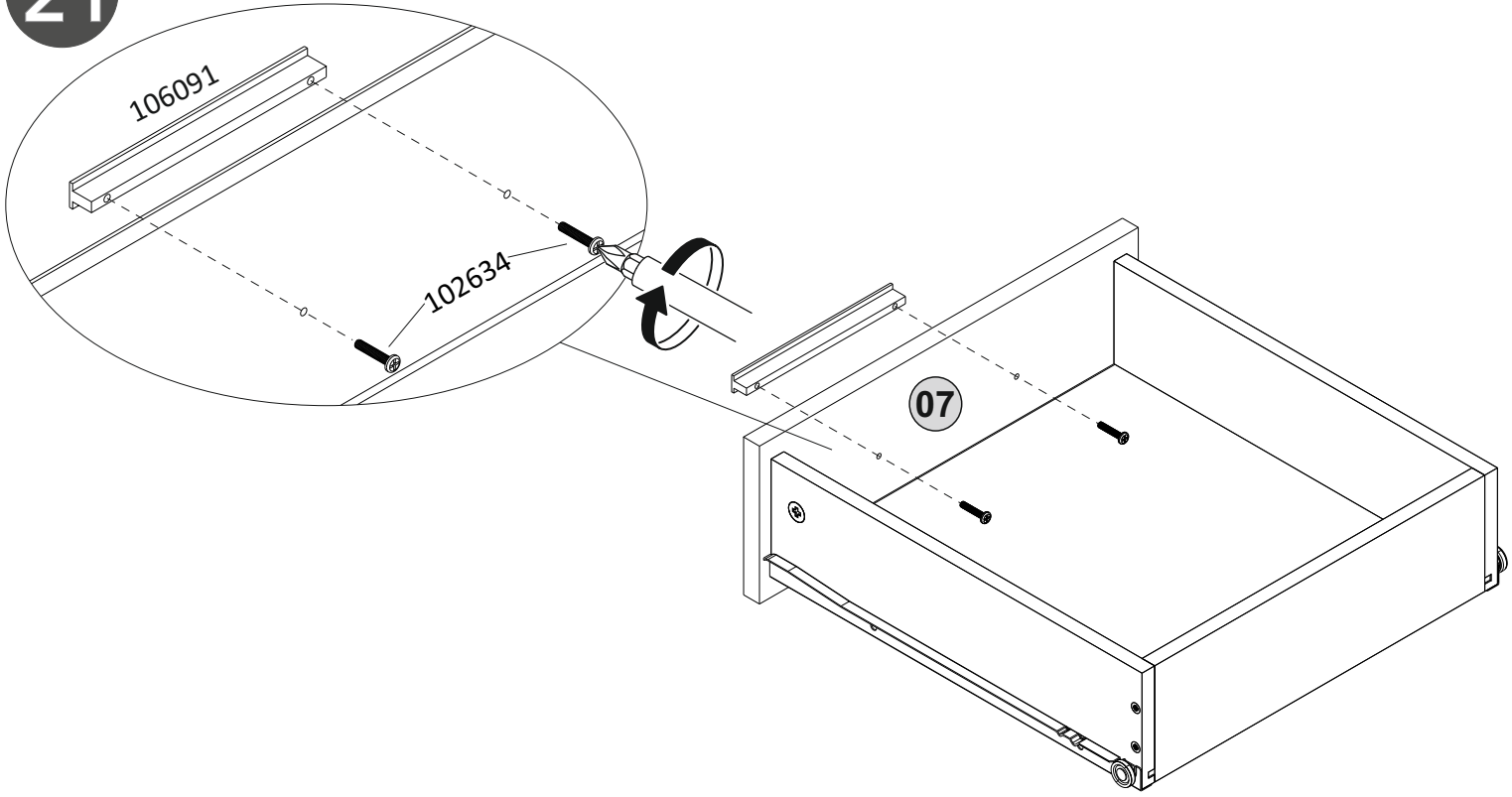
19



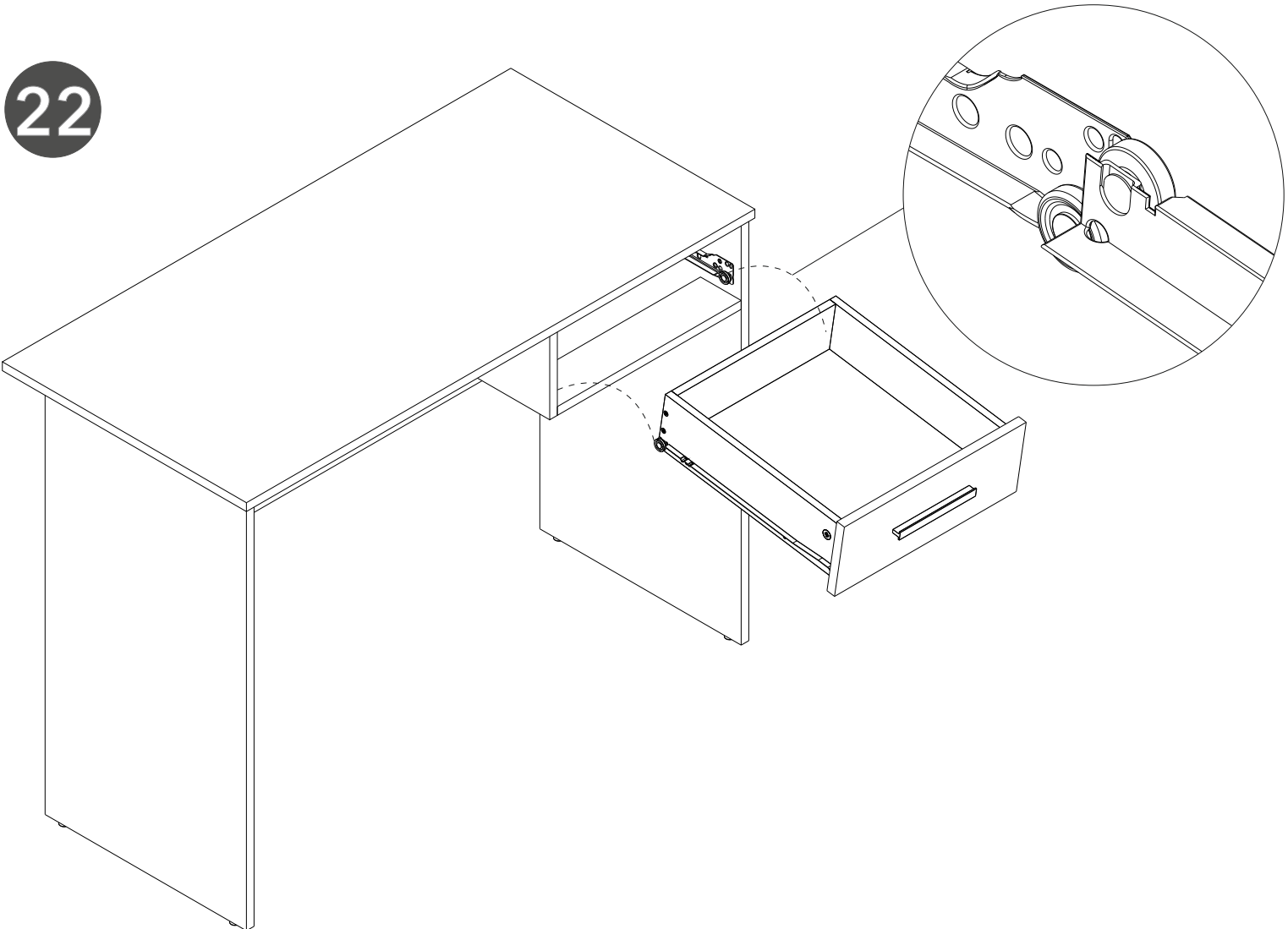
20



21



22



**Congratulations, your Takiwira Desk is now complete.
Thank you for supporting New Zealand Made furniture.**



LIVING & CO[®]

WARRANTY

We pride ourselves on producing a range of quality products that are both packed with features and completely reliable.

We are so confident in our products; we back them up with a five-year warranty. Now you too can relax knowing that you are covered.

For parts and assistance, call the manufacturer direct on **0800 266 722** or email home.support@compacgroup.co.nz. Please do not call the store you purchased the cabinet from as they will be unable to help you.

This product is covered by five-year warranty when accompanied by proof of purchase.



5 YEAR
WARRANTY