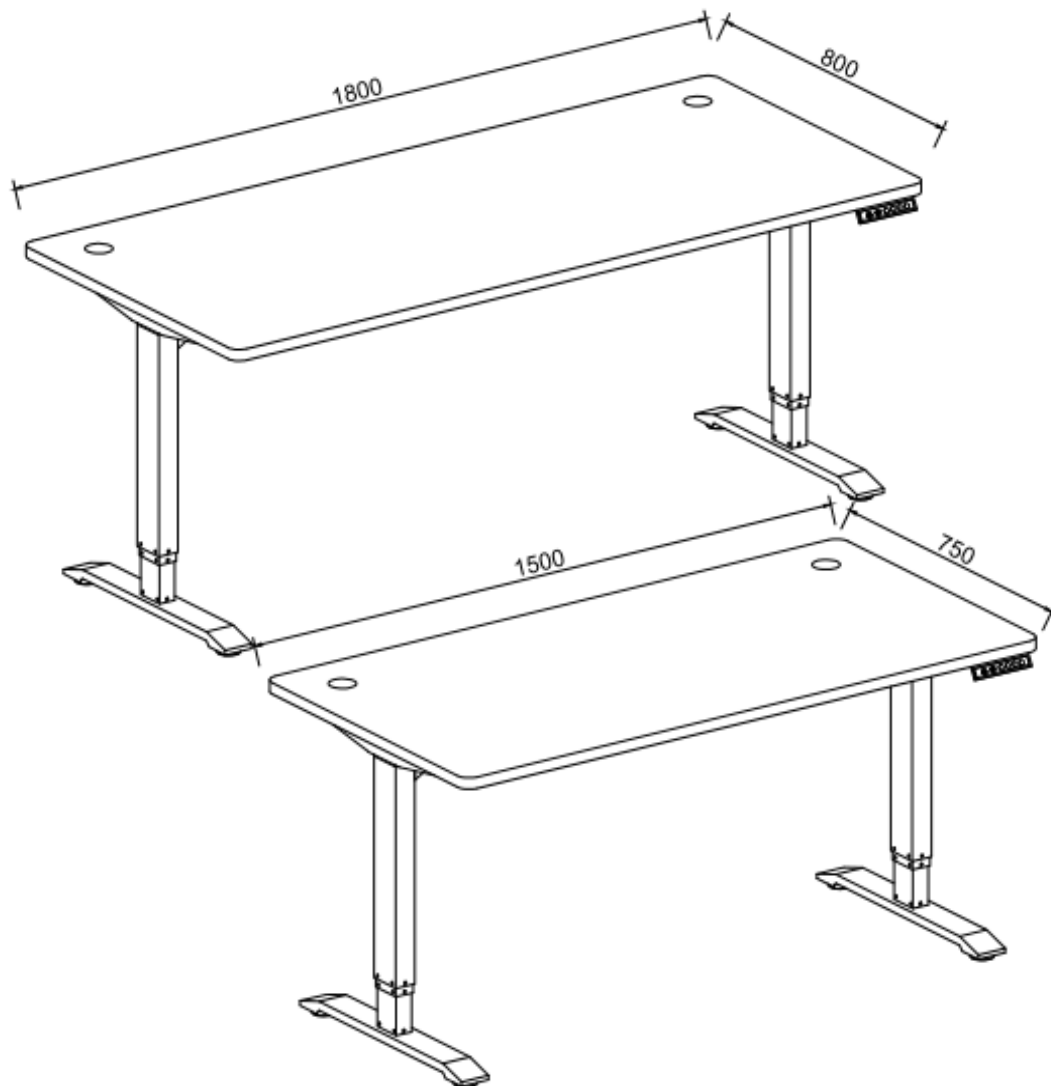


# Height Adjustable Leg AML4700BL



Please follow these Assembly Instructions.

Please record your serial number in the space provided below and retain this manual for future reference.

This will save you time, make assembly easier and prevent possible damage to your new desk.  
Assistance may be required for some assembly procedures.  
Correct assembly is your responsibility.

Serial No

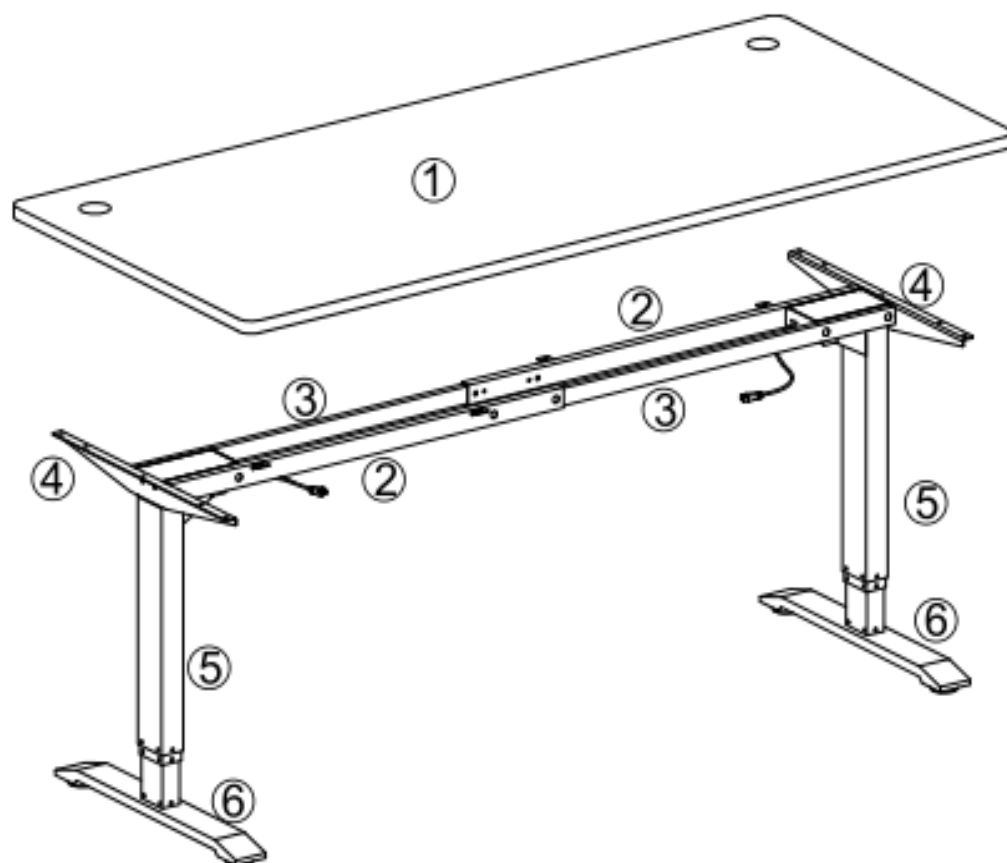
We recommend that the unit is assembled on a soft surface such as carpet.



For warranty registration and information please go to  
[www.jasperj.co.nz](http://www.jasperj.co.nz)



# Unpack & Identify Parts



## AML4700BL carton contents

	<u>Part Description</u>	<u>Quantity</u>	<u>Part Number</u>
①	Top	1	AML4700BL01
②	Outer Tube	2	AML4700BL02
③	Inner Tube	2	AML4700BL03
④	Side Brackets	2	AML4700BL04
⑤	Electrical Column	2	AML4700BL05
⑥	Feet	2	AML4700BL06

## Customer Service

0800 876 554

To request spare parts, please provide the details in step one - six.

1. Model number of unit purchased
2. Proof of purchase
3. Description of missing part
4. Part number of missing part
5. Quantity of missing part
6. Serial number of the unit

Post request to.

OR

Scan and take photos  
of any damaged parts



Before requesting spare parts, please ensure that you have checked your packaging and used the correct hardware at each step.

JasperJ helpdesk  
P.O. Box 47130,  
Ponsonby  
Auckland 1144

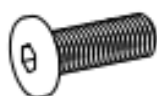
customerservice@jasperj.co.nz



# Hardware contents: AML4700BL



(A) Adjustable feet  
M8 x15MM x4



(B) Screw  
M6 x15MM x28



(C) Self tapping screw  
ϕ 4 x15MM x4



(D) Controller  
x1



(E) Handset  
x1

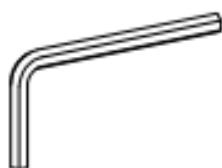


(F) Power Cord  
x1

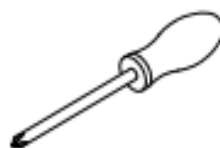


(G) Connecting Cord  
x2

## Tool required



Phillips No.2 Socket head wrench or a  
Hex key



Phillips No.2 Screwdriver or a  
Phillips No.2 pozi drive

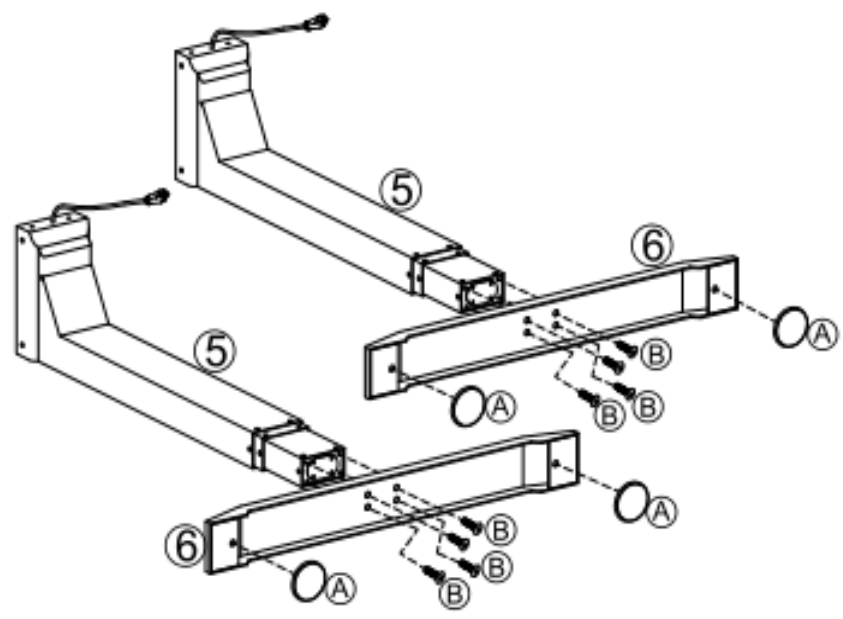
# Step 1



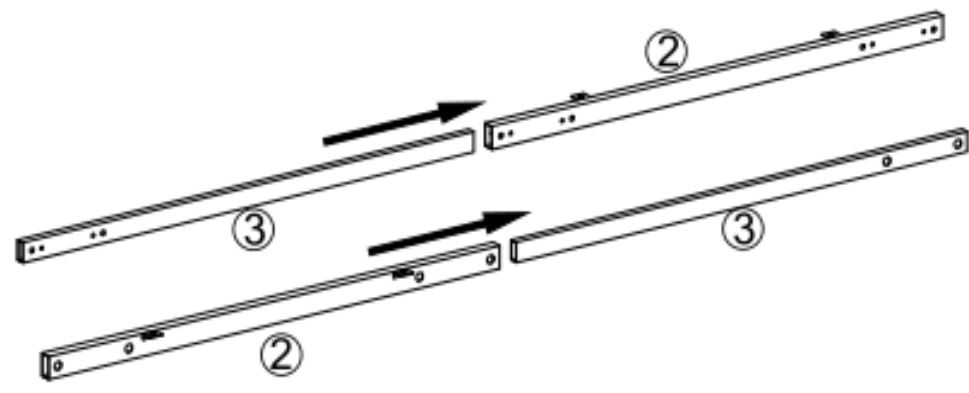
(A) Adjustable feet  
M8 x15MM x4



(B) Screw  
M6 x15MM x8



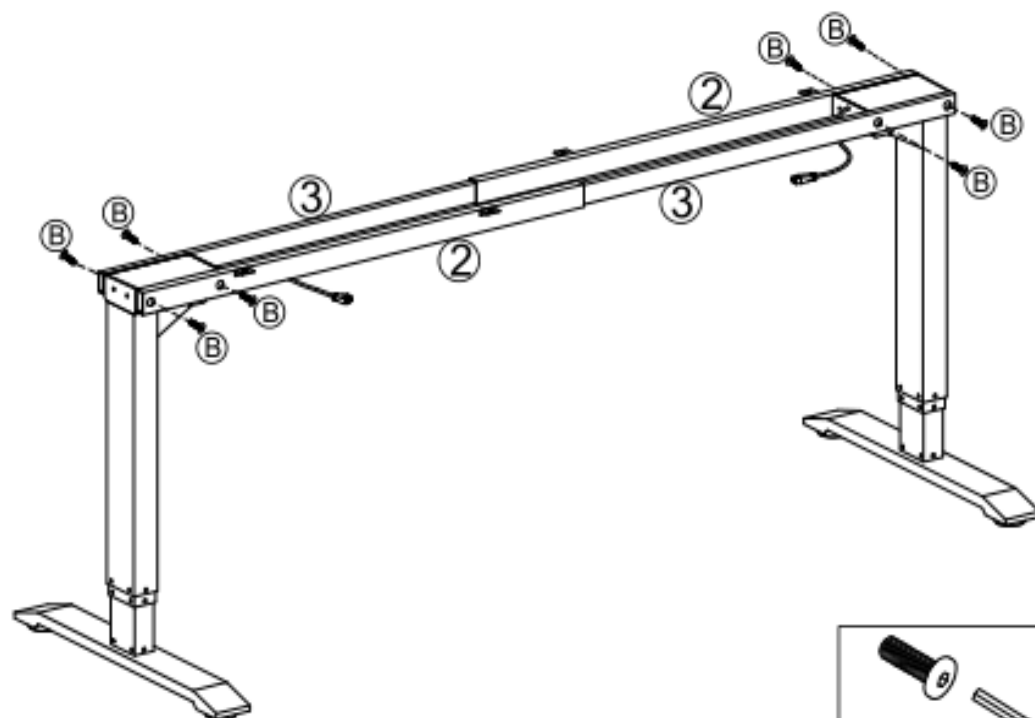
# Step 2



## Step 3



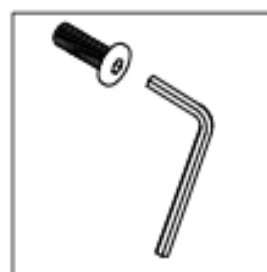
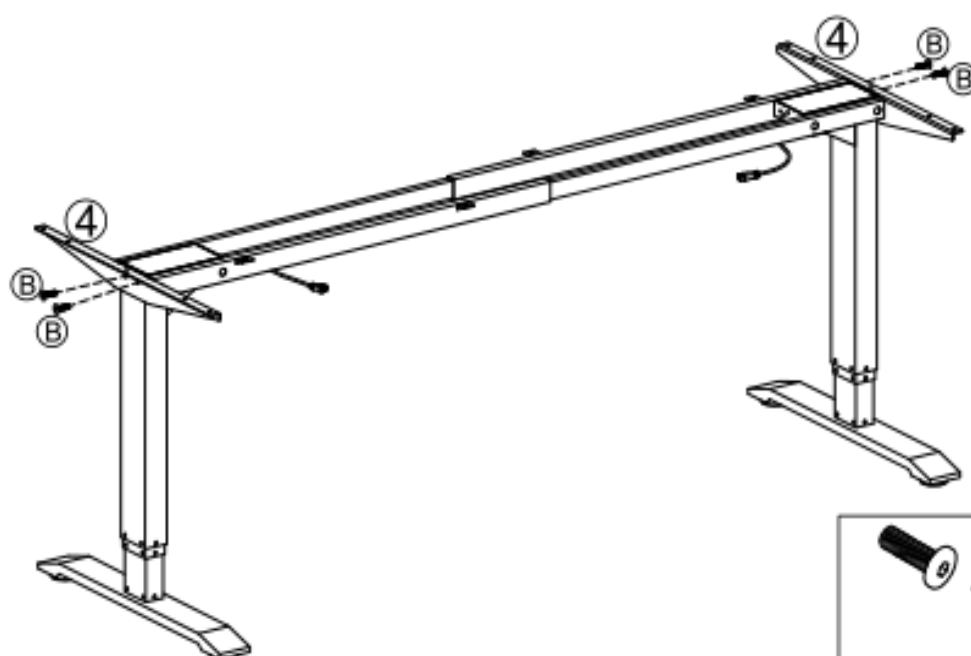
Ⓑ Screw  
M6 x15MM x8



## Step 4



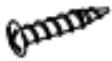
Ⓑ Screw  
M6 x15MM x4



## Step 5



(B) Screw  
M6 x15MM x8



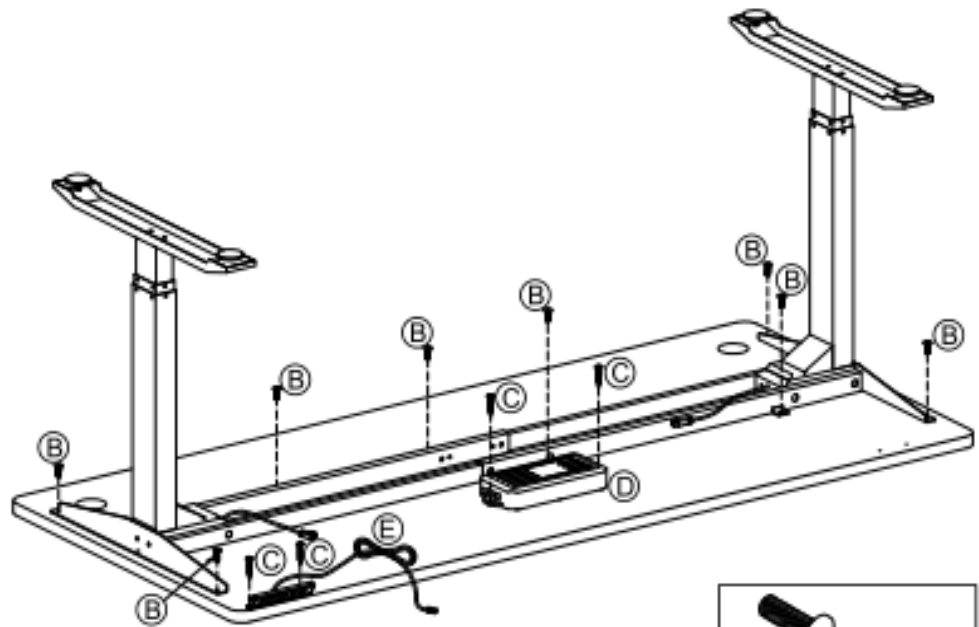
(C) Screw  
Ø4 x15MM x4



(D)  
x1



(E)  
x1



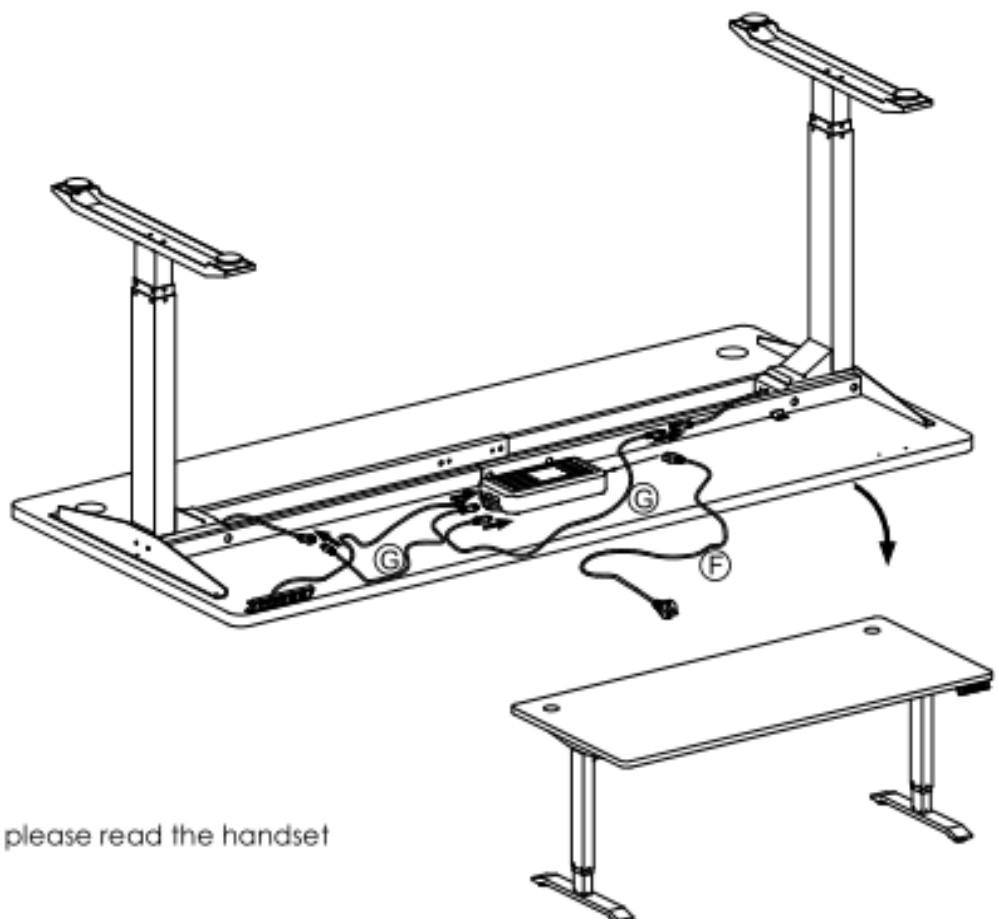
## Step 6



(F)  
x1



(G)  
x2



Important: Initial use please read the handset instruction

**CAUTION:** We recommend that all contents stored in or on this item of furniture be removed before shifting it. The manufacturer will not be held liable for damage caused when furniture is shifted without first removing the contents. Do not drag the furniture while shifting.