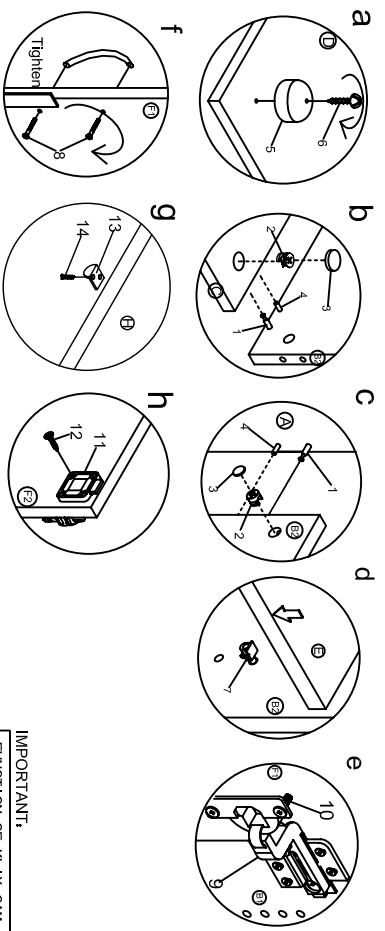
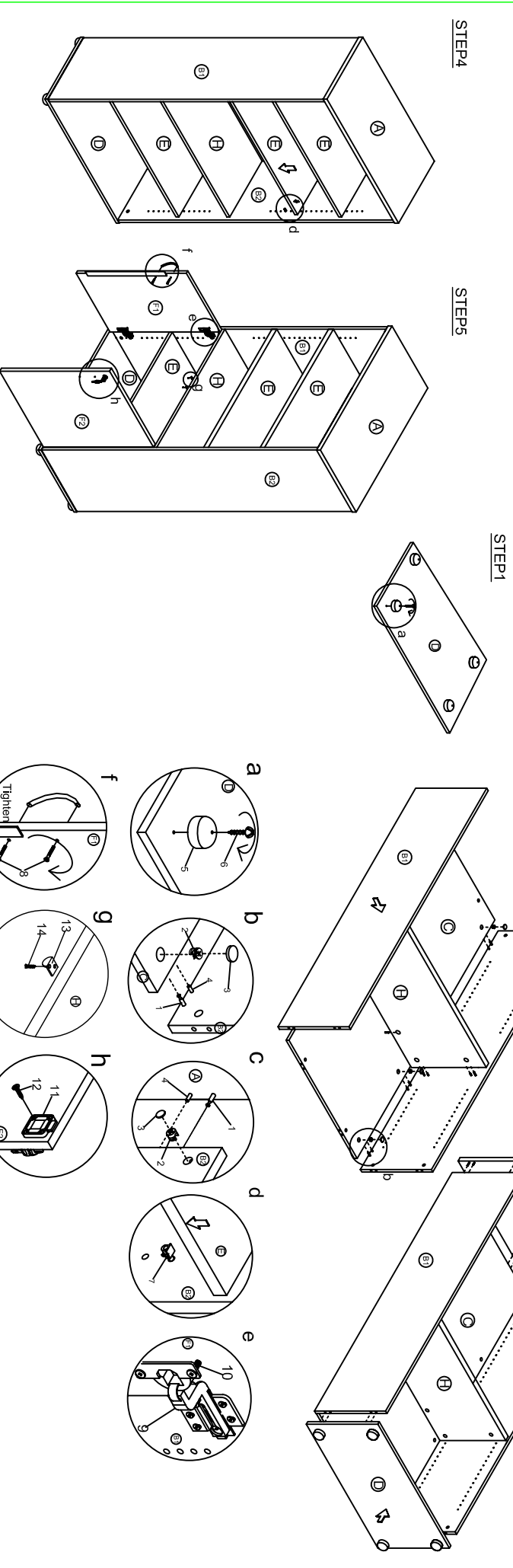


# Assembly Instructions

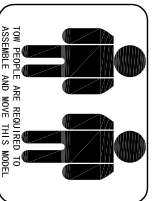
## MODEL NO. :177518-1

### WALL UNIT-1800H

1		2		3		4		5		6		7		8		9		10		11	
12		13		14																	



- IMPORTANT NOTE:**
- Place all laminated parts on a clean and smooth surface such as a rug or carpet to avoid the parts from being scratched.
  - Check to be sure that you have all parts and hardware.
  - Remove all wrapping materials, including staples & packing straps before you start to assemble.
  - Don't tighten all screws/bolts until all completely assembled.
  - Keep all hardware parts out of reach of children



**IMPORTANT:**

**FUNCTION OF KLIX CAM**

1/4 RIGHT TURN FOR LOCKING

Make Sure The Arrow Is Pointing Upwards Before Inserting Into The Panel's Hole