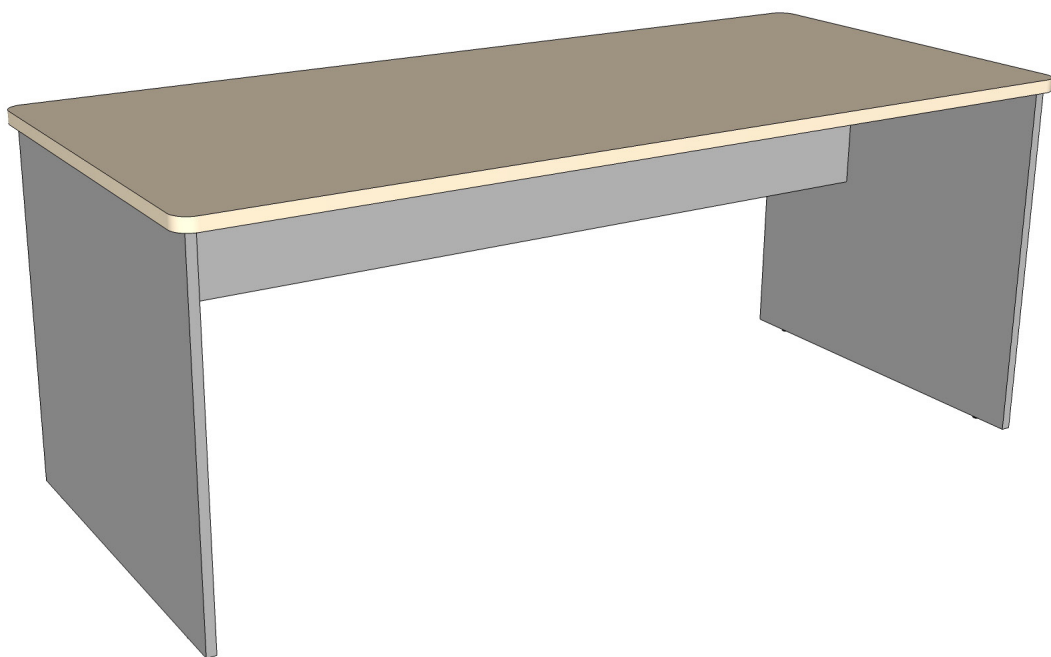


Eko Desk

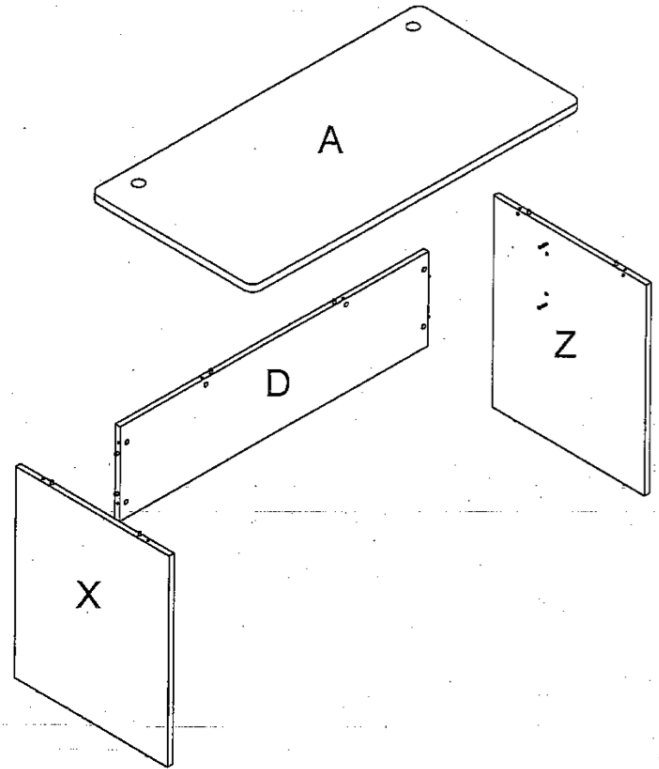
Assembly Instructions

Tools Required: Powered screwdriver.



Assembly Instructions

- To prevent possible scratches or damage, assemble the desk upside down on a soft surface such as a blanket, carpet or packaging.
- Attach Leg to the top assembly by using bolts, spring washer, flat washer. Tighten using the allen wrench.



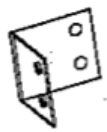
(c1) 6*35 Cam Bolt-10



(d1) 8*30 Dowel Pin-10



(c2) (5/8") Cam Cover-10



(b1) Bracket-4

Pre-installed parts



(s1) 4*16 Screw-16



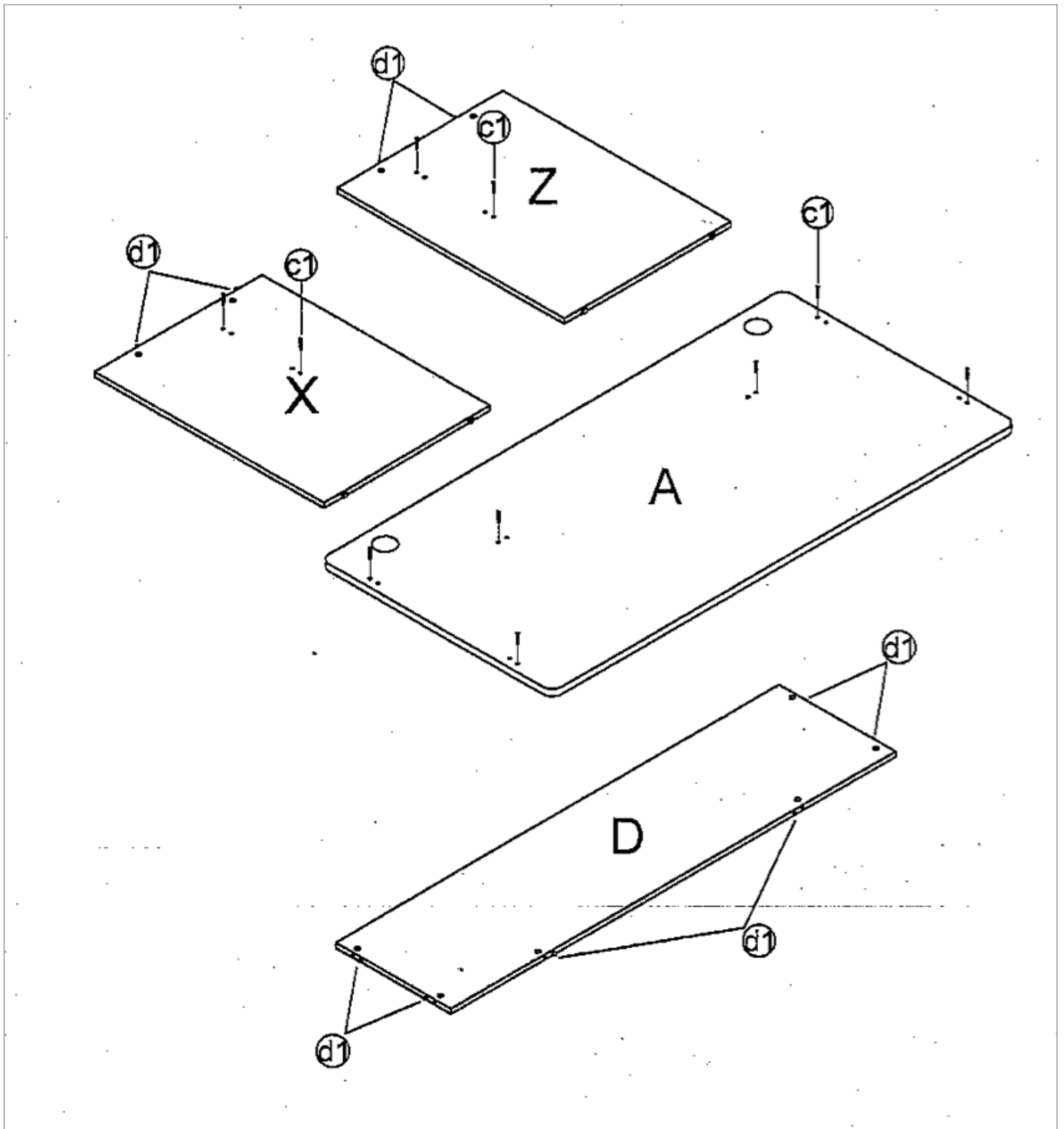
(c5) Cam



(o1) Cable Port

Step 1

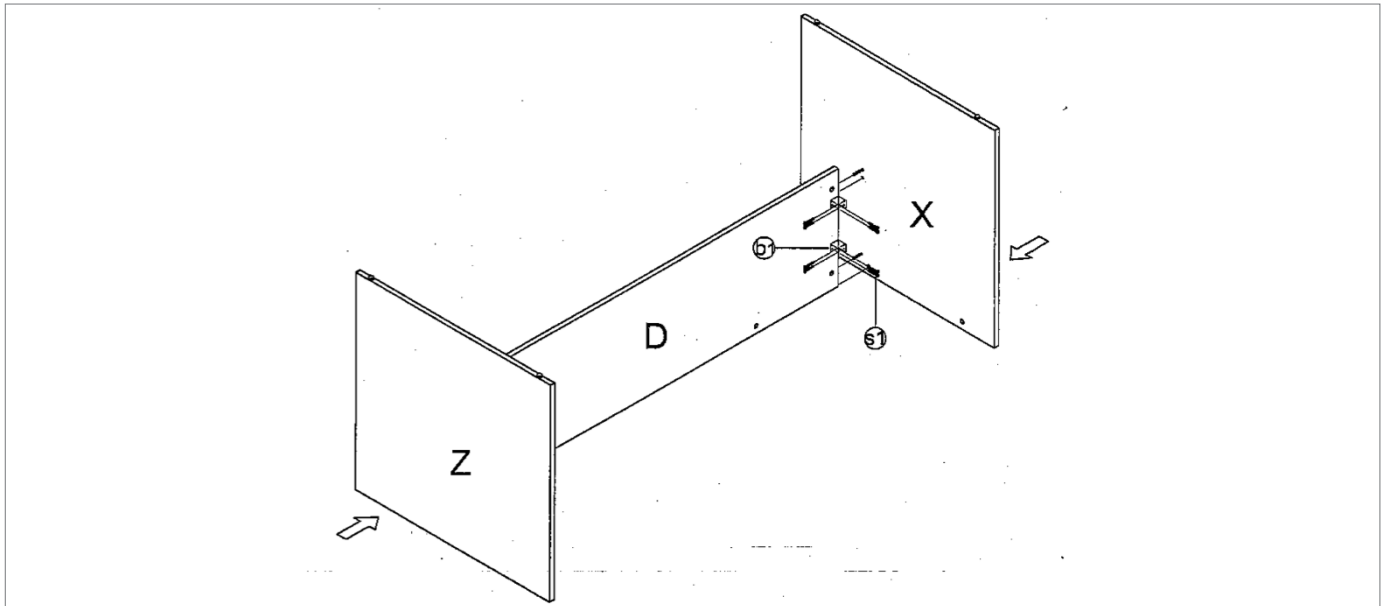
Insert cam bolts (c1) into panels A, X and Z, then insert dowel pins (d1) into panels X, Z and D.



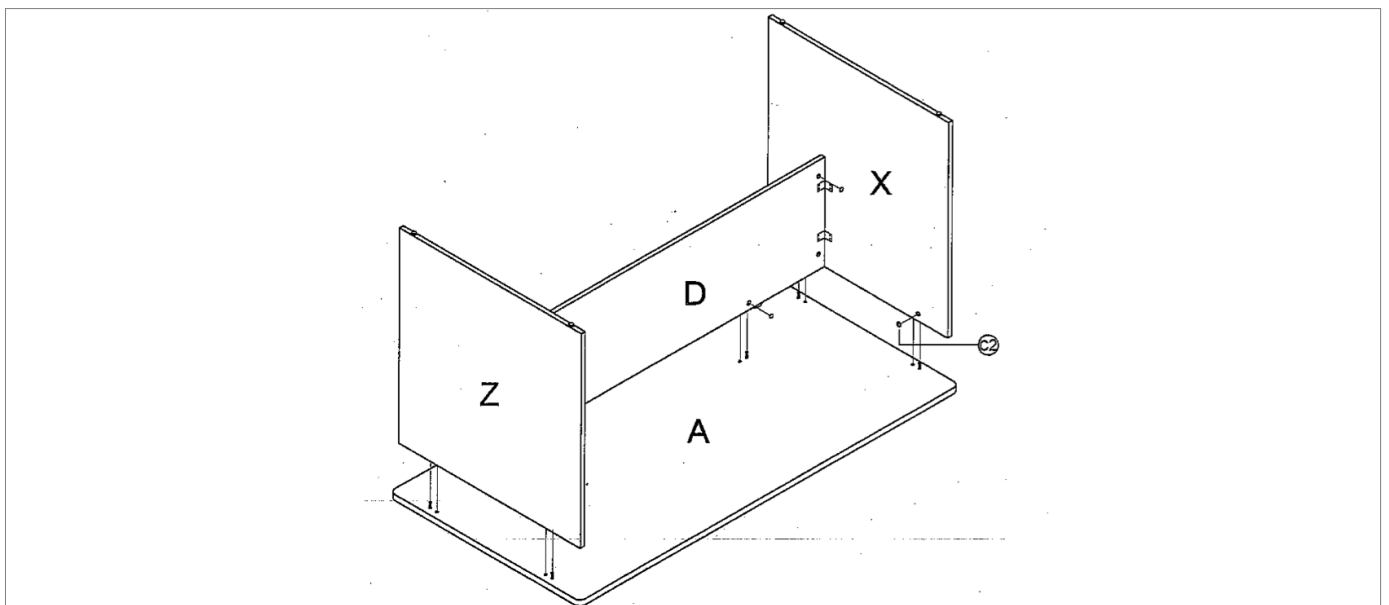
Assembly Instructions

Step 2

Insert cam bolts (c1) on panels X and Z into cam on panel D and fully tighten. Then connect panel D and panel X/Z by Bracket (b1).

**Step 3**

Insert cam bolts (c1) on panel A into cams on panels D, X and Z, then fully tighten. Cover the cam covers (c2) on the top of all cams.



Complete

