

Ergoplan Reception Hutch

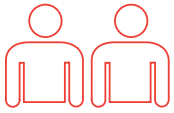
Assembly Instructions

Tools Required: Powered screwdriver.

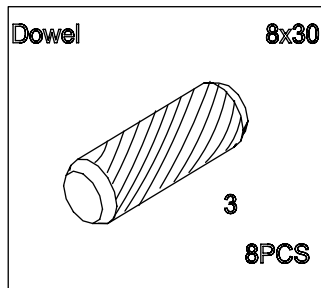
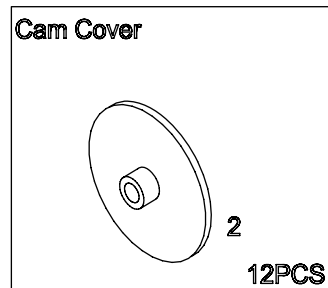
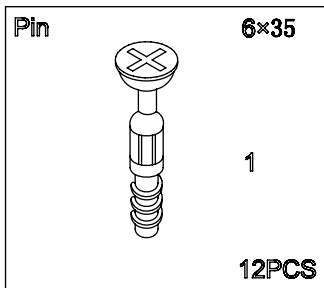
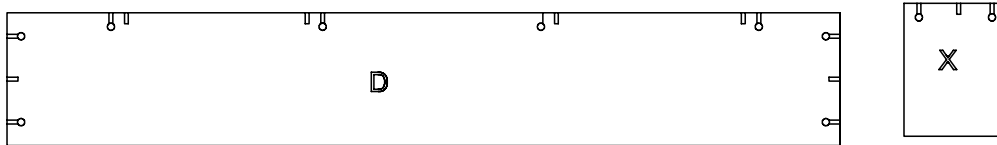
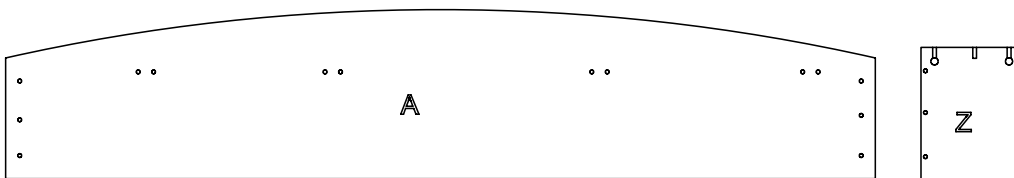


Assembly Instructions

· To prevent possible scratches or damage, assemble the product on a soft surface such as a blanket, carpet or packaging.

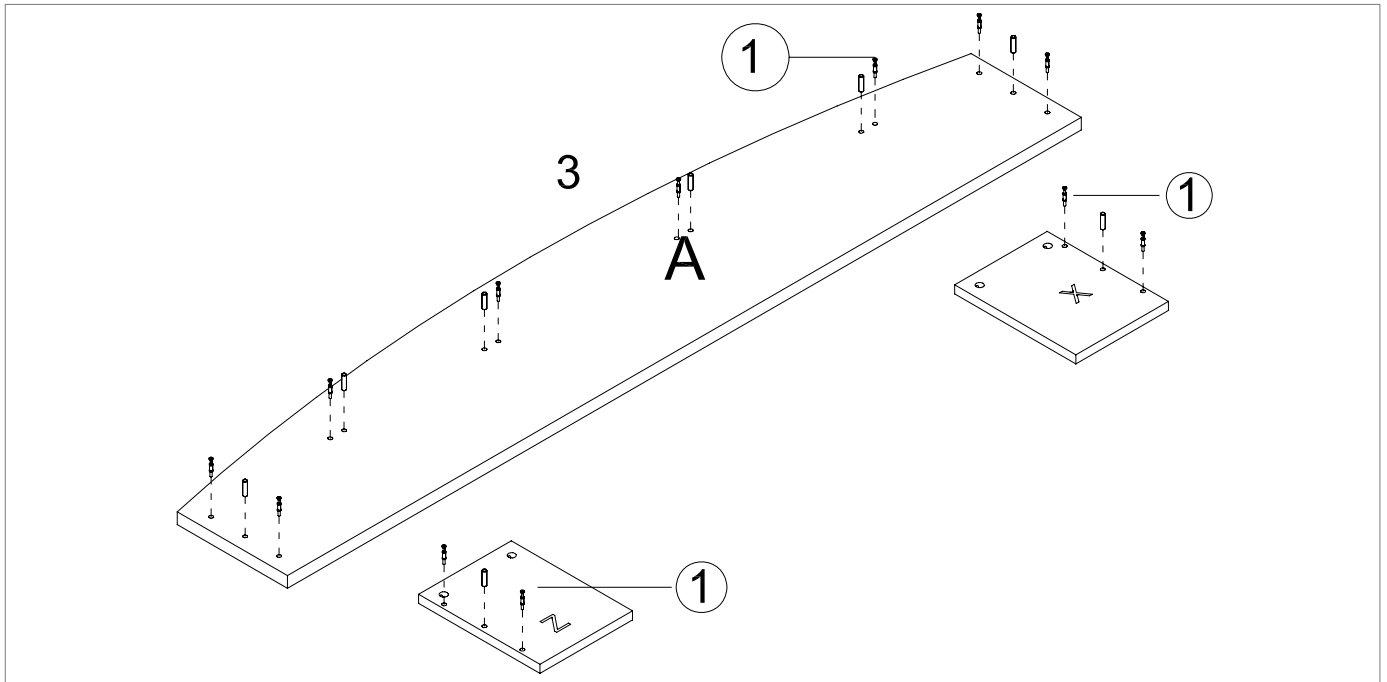


Recommended
2-person Step

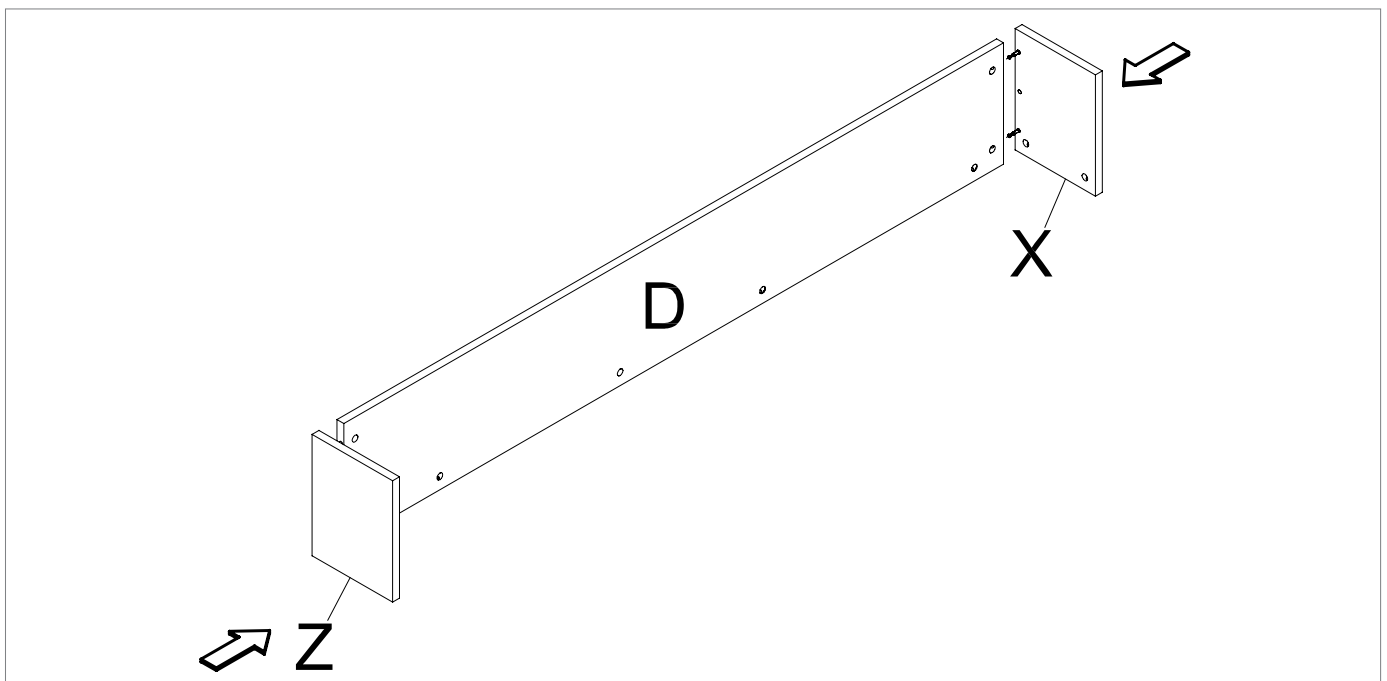


Assembly Instructions

Step 1

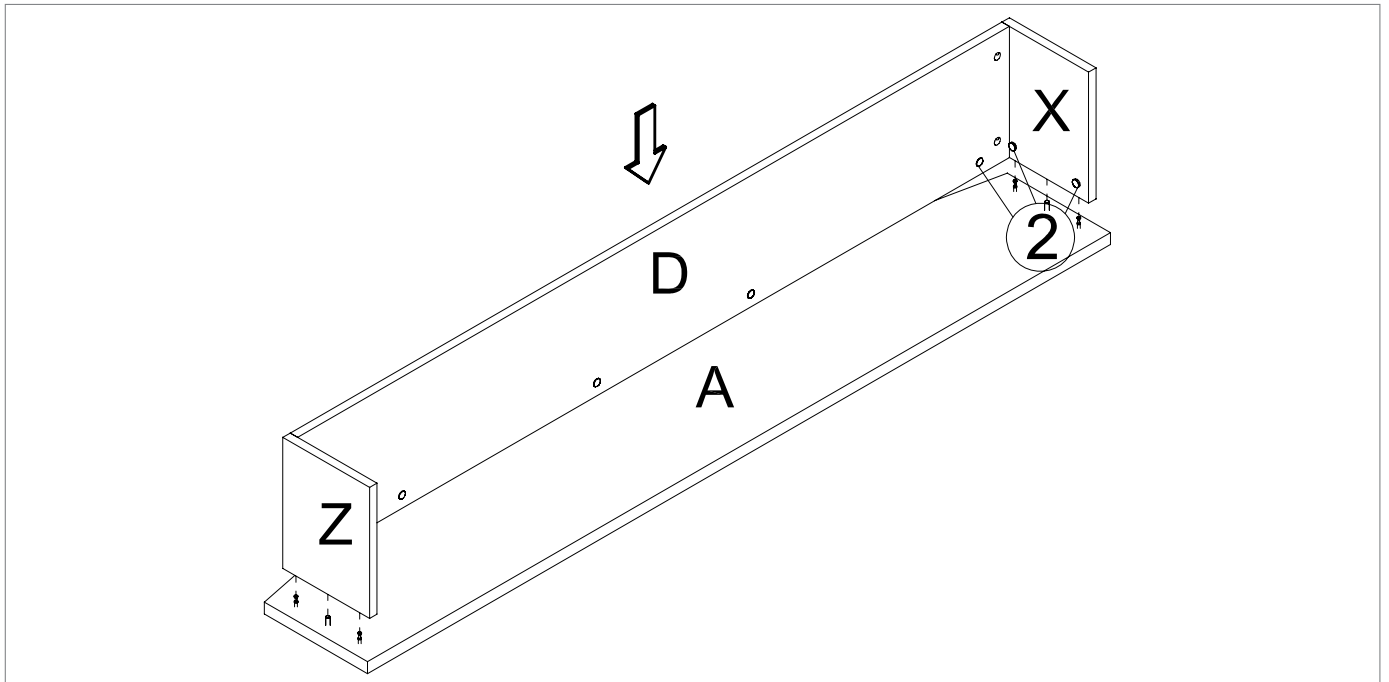


Step 2



Assembly Instructions

Step 3



Complete

