

# *Team Flip Table*

## **Installation Guide**

---

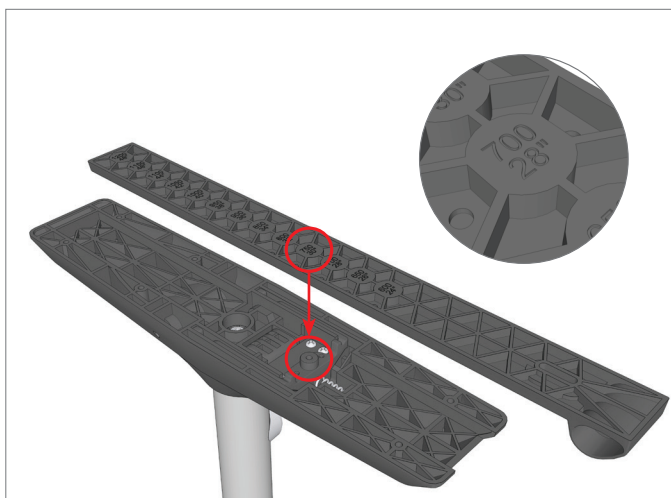
**Tools Required:** Powered screwdriver.



## Assembly Instructions

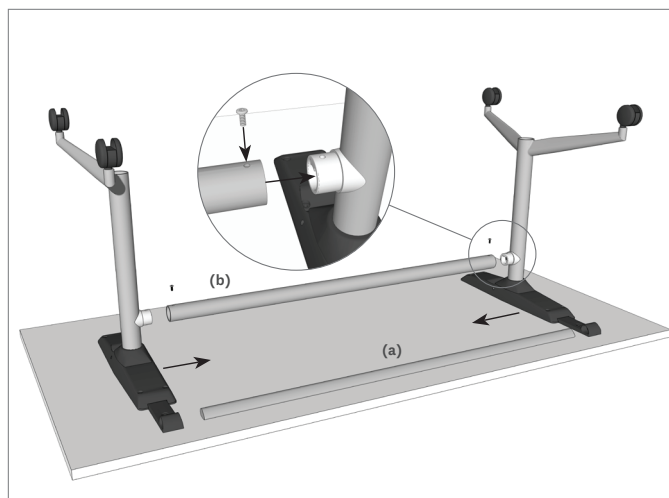
### Step 1

Fit the pull bar to the top side of the mechanism according to the number corresponding to your worksurface depth. This number will locate over of the raised cylinder



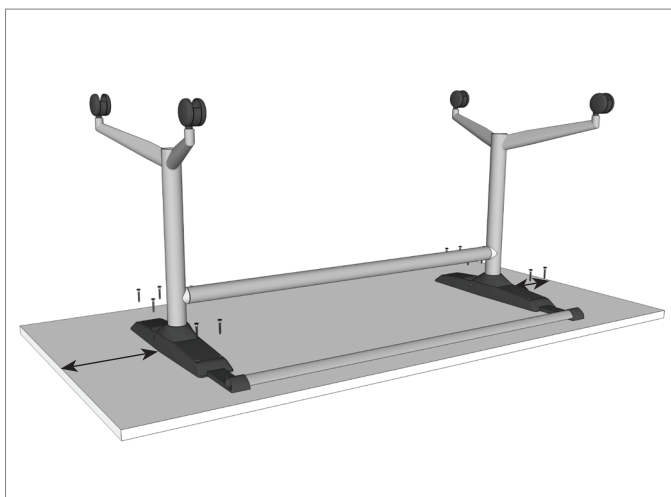
### Step 2

Place the pull bar **(a)** and cross tube **(b)** in the correct location pictured below, slide the 2 end legs in place, and tighten 2 small screws into the cross tube.



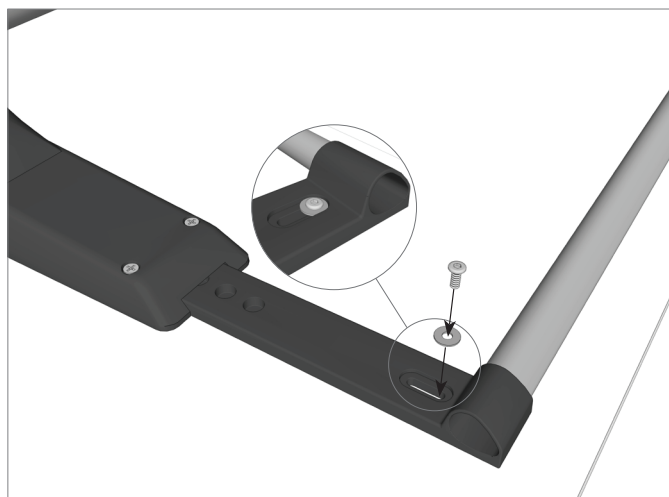
### Step 3

Ensure the frame is located in the centre of the worksurface. Fully tighten all 6 screws on each mechanism.



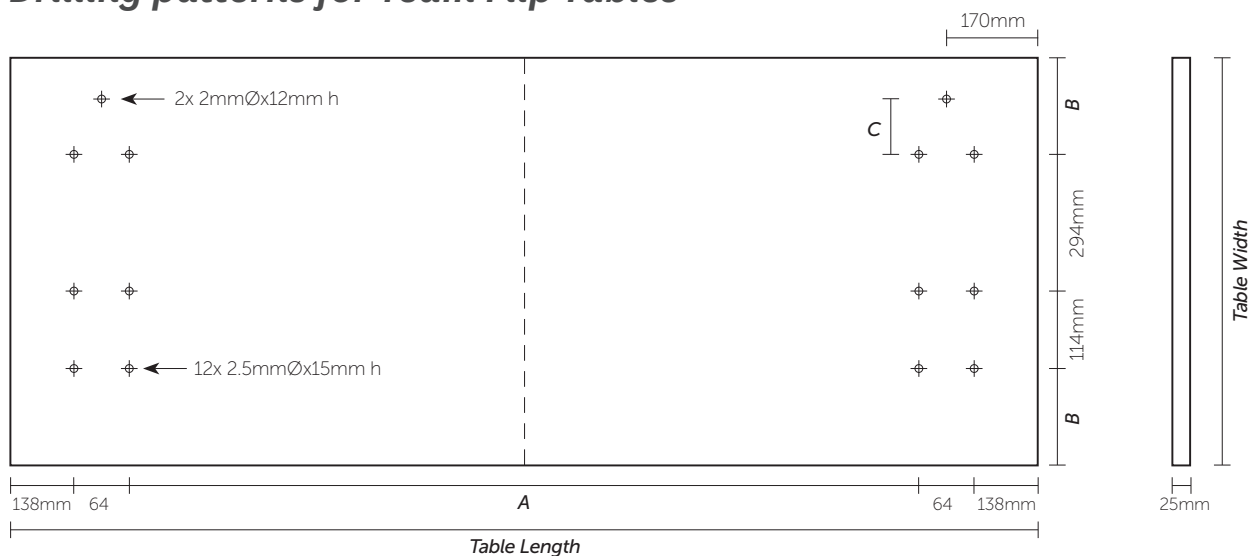
### Step 4

On all tables with width larger than 700mm, secure the pull bar with the supplied washer and screw in the location pictured below (slot end closest to the pull-bar). Leave screw 1 turn from tight so the pull-bar can be operated smoothly.



## Assembly Instructions

### Drilling patterns for Team Flip Tables

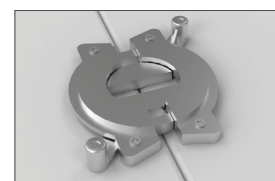
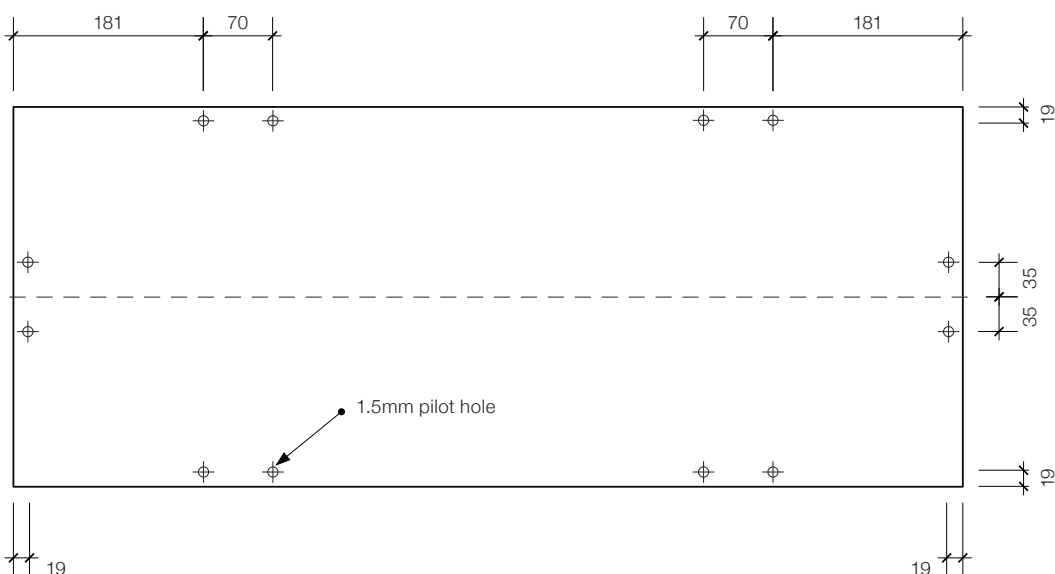


Width-700mm	A	B	C
1200-1600mm	796	146	NA
1500-1900mm	1096	146	NA
1800-2200mm	1396	146	NA

Width-800mm	A	B	C
1200-1600mm	796	196	125
1500-1900mm	1096	196	125
1800-2200mm	1396	196	125

Width-900mm	A	B	C
1200-1600mm	796	246	175
1500-1900mm	1096	246	175
1800-2200mm	1396	246	175

### Hole position for optional connector



Locked



Unlocked